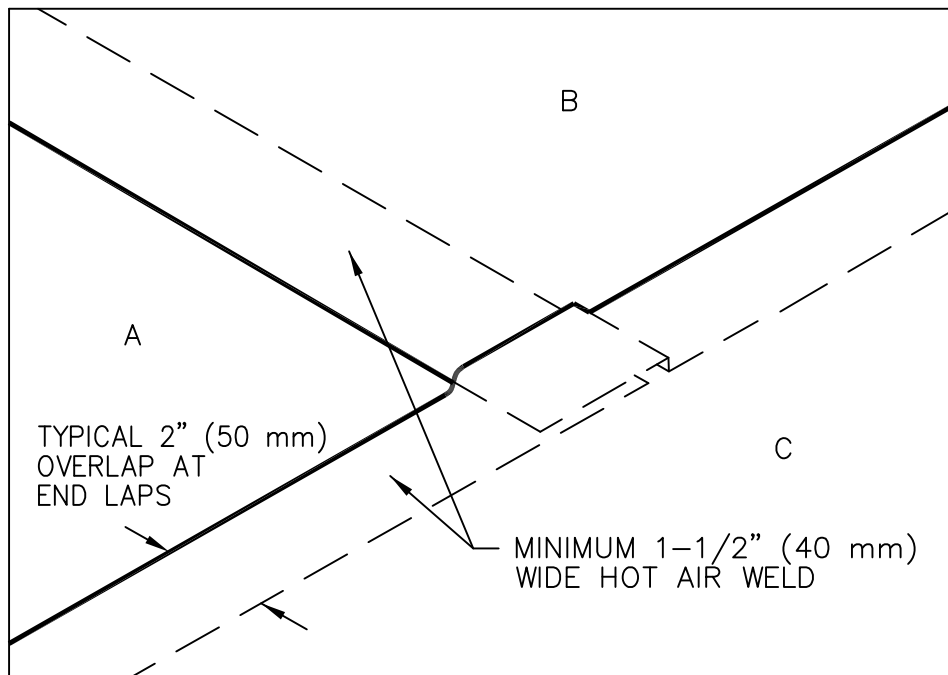
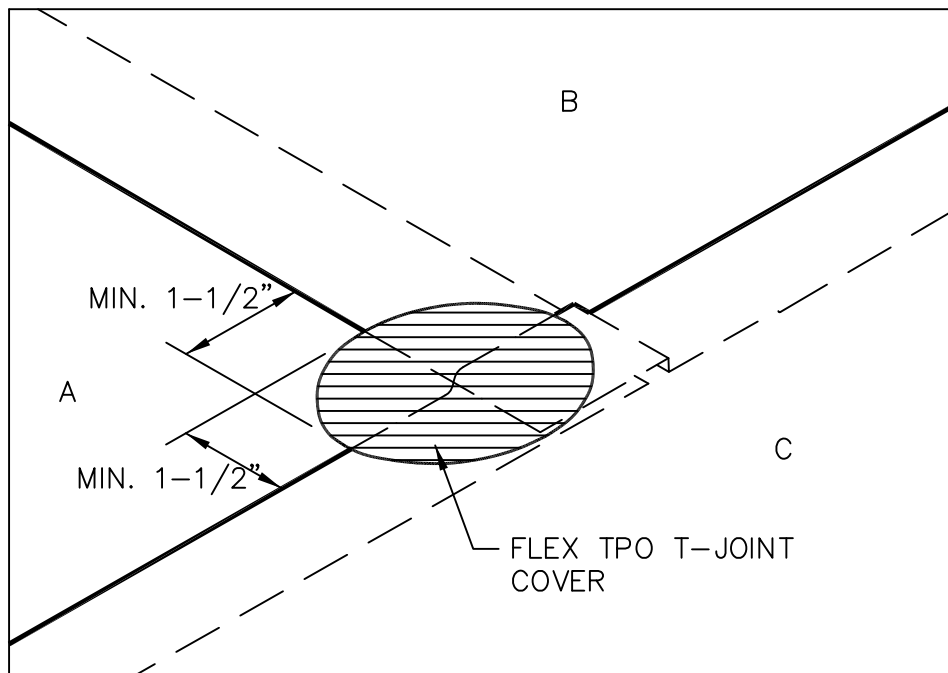


FLEX TPO PLUS ADHERED ROOFING SYSTEM



- ① POSITION SHEETS AND HOT AIR WELD THE .060 INCH THICK FLEX TPO MEMBRANE A MINIMUM OF 1-1/2 (40 mm) INCHES.



- ② INSTALL A 4.5" DIAMETER FLEX TPO T-JOINT COVER CENTERED OVER THE SPLICE INTERSECTION ("T-JOINT") AS SHOWN.