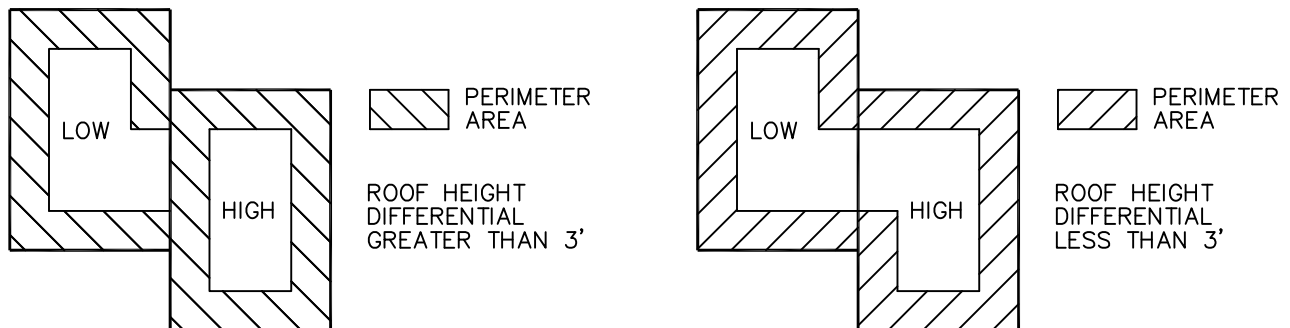
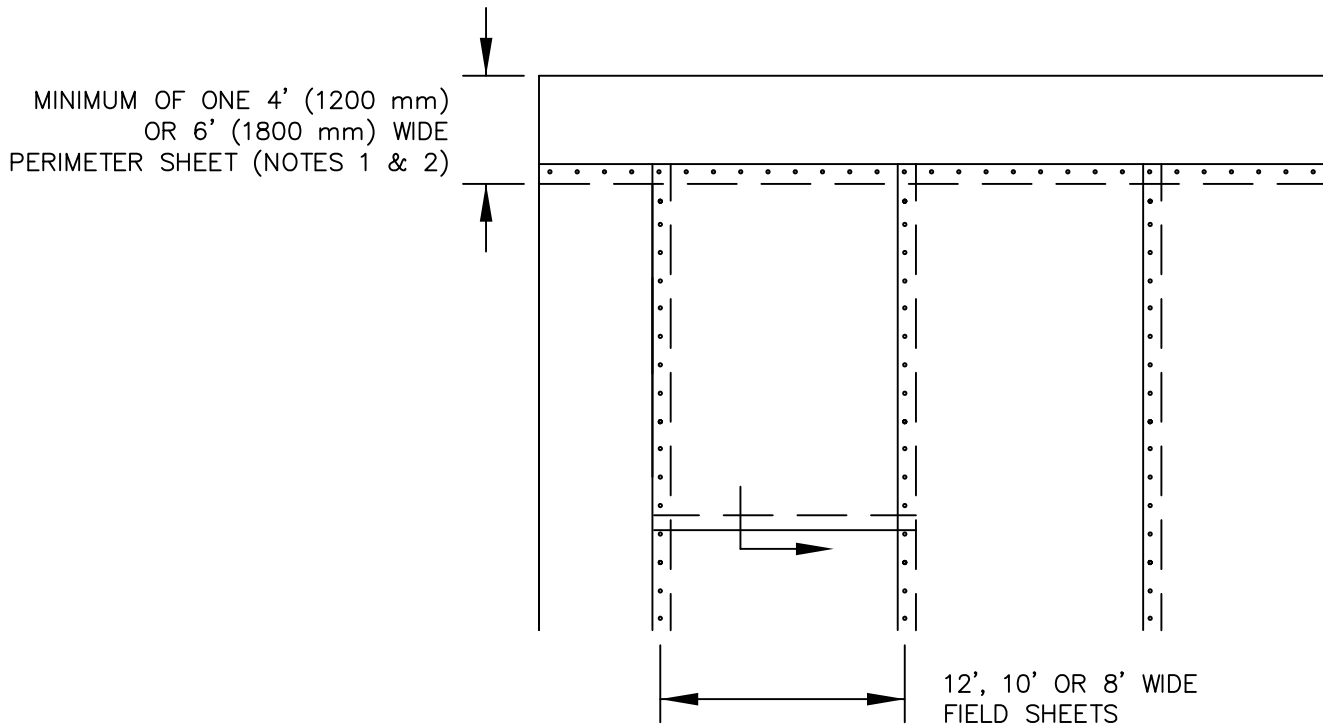


FLEX TPO PLUS MECHANICALLY FASTENED ROOFING SYSTEM



NOTES:

1. WHEN USING 10' (3000 mm) or 12' (3700 mm) WIDE FIELD SHEETS, 6' (1800 mm) WIDE PERIMETER SHEETS ARE UTILIZED. WHEN USING 8' (2400 mm) WIDE FIELD SHEETS, 4' (1200 mm) WIDE PERIMETER SHEETS ARE USED.
2. REFER TO MANUFACTURES APPROVALS FOR MEMBRANE FASTENING CRITERIA FOR REQUIRED NUMBER OF PERIMETER SHEETS AND MEMBRANE FASTENING.
3. SECUREMENT NOT REQUIRED AT END ROLL SECTIONS; OVERLAP MEMBRANE 2" TO 3" (50 mm TO 75 mm).
4. FOR INSULATION SECUREMENT, REFER TO FLEX MF/R 1.
5. IF A FACTORY MUTUAL RATING IS REQUIRED, MEMBRANE FASTENING AT CORNERS MUST EXTEND TO ROOF EDGES IN BOTH DIRECTIONS.