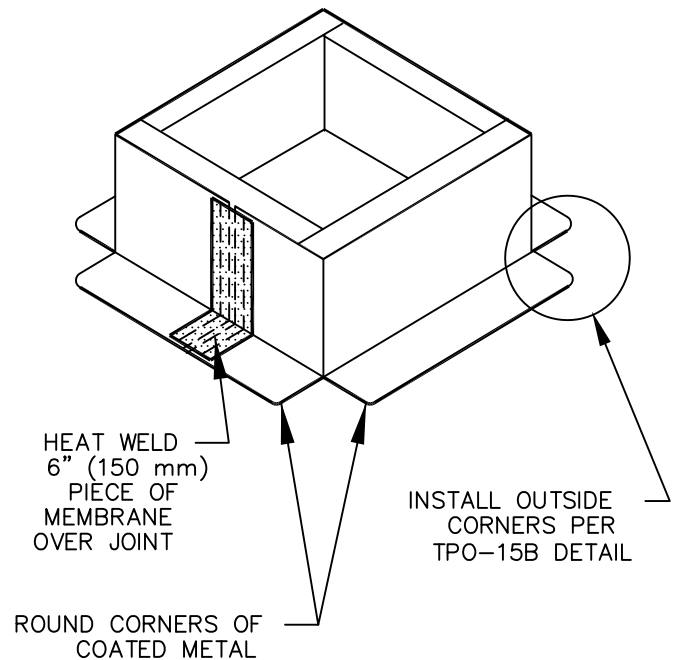
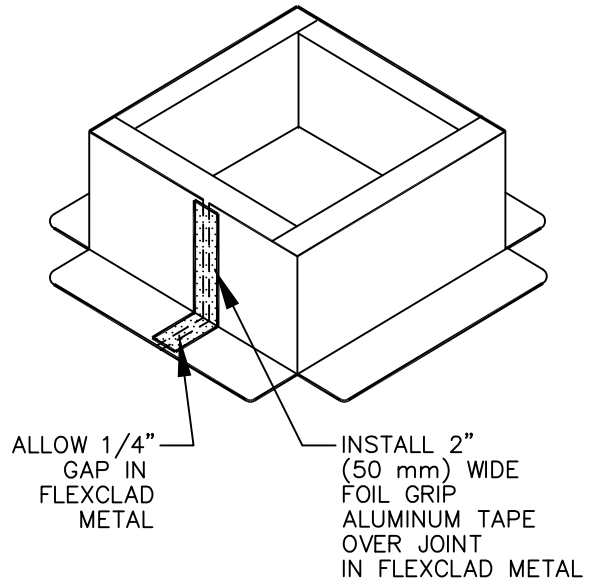
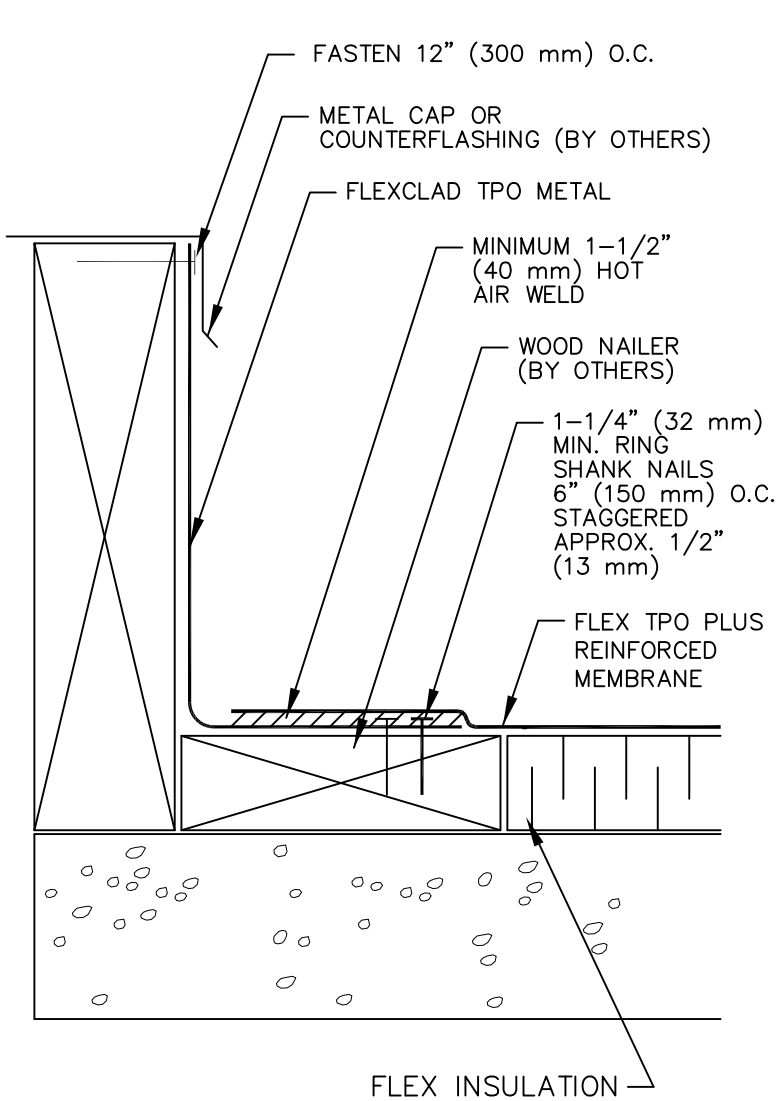


FLEX TPO PLUS MECHANICALLY ROOFING SYSTEM



NOTE:

1. COATED METAL FLASHING FASTENED APPROXIMATELY 6" (150 mm) ON CENTER. IF FASTENER PENETRATES METAL COUNTERFLASHING, USE NEOPRENE WASHER OR APPLY WATER CUT-OFF MASTIC UNDER COUNTERFLASHING OR CAULK FASTENER HEAD.
2. APPROXIMATELY 1/8" (3 mm) DIAMETER OF CUT-EDGE SEALANT IS REQUIRED ON CUT EDGES OF FLEX TPO REINFORCED MEMBRANE.