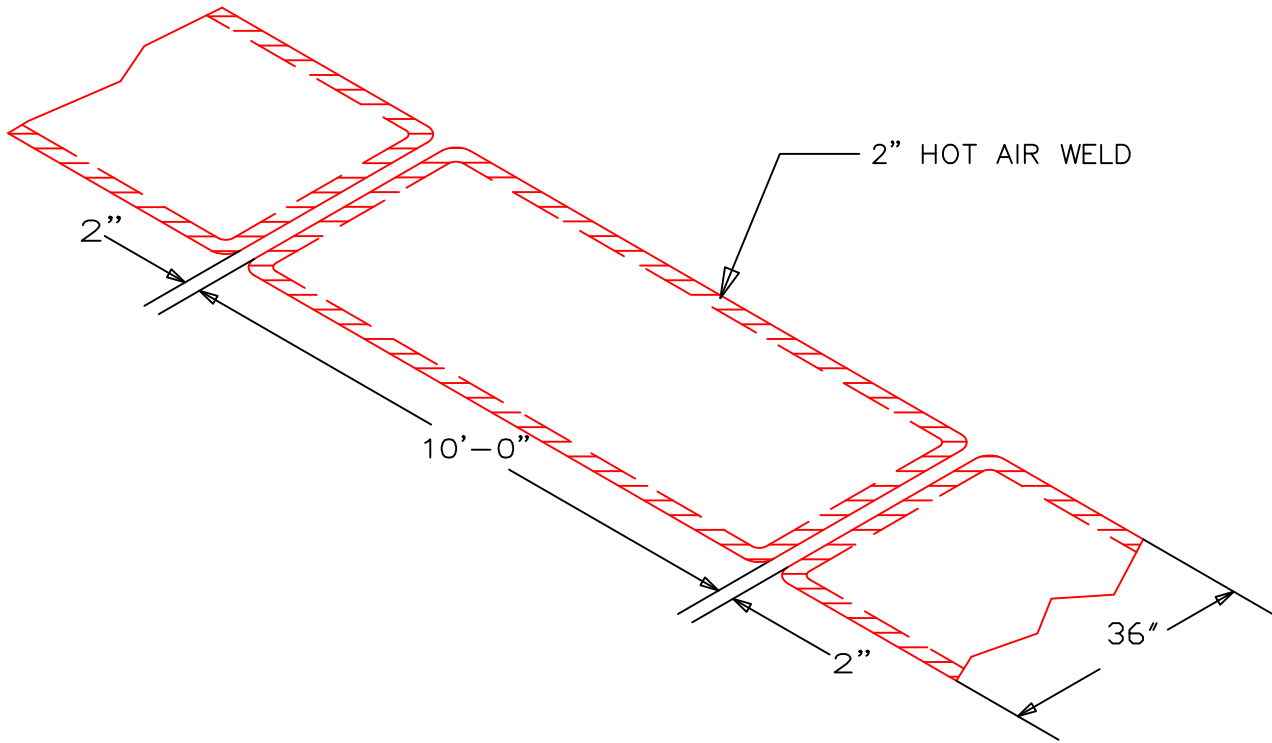


FLEX WALKWAY PAD - 3'X60' ROLL

FLEX WALKWAY MATERIAL IS NOT TO BE INSTALLED IN CONTINUOUS SECTIONS EXCEEDING 10' IN LENGTH. ADHERE WALKWAY TO THE PVC FIELD MEMBRANE WITH FLEX BONDING ADHESIVE. LEAVE 2" OF THE WALKWAY PERIMETER FREE OF ADHESIVE. HOT-AIR WELD THE 2" EDGE TO THE FLEX PVC FIELD MEMBRANE.



TITLE	
WALKWAY PAD	
NAME	
DETAIL NO. 5.40	
DRAWN BY:	DATE:
KF	10/2009
APPLICABLE TO ALL FLEX PVC	
MECHANICALLY FASTENED SYSTEMS	
FLEX MEMBRANE INTERNATIONAL	2670 LEISCZ'S BRIDGE RD. LEESPORT, PA 19533 800-969-0108 FlexRoofingSystems.com