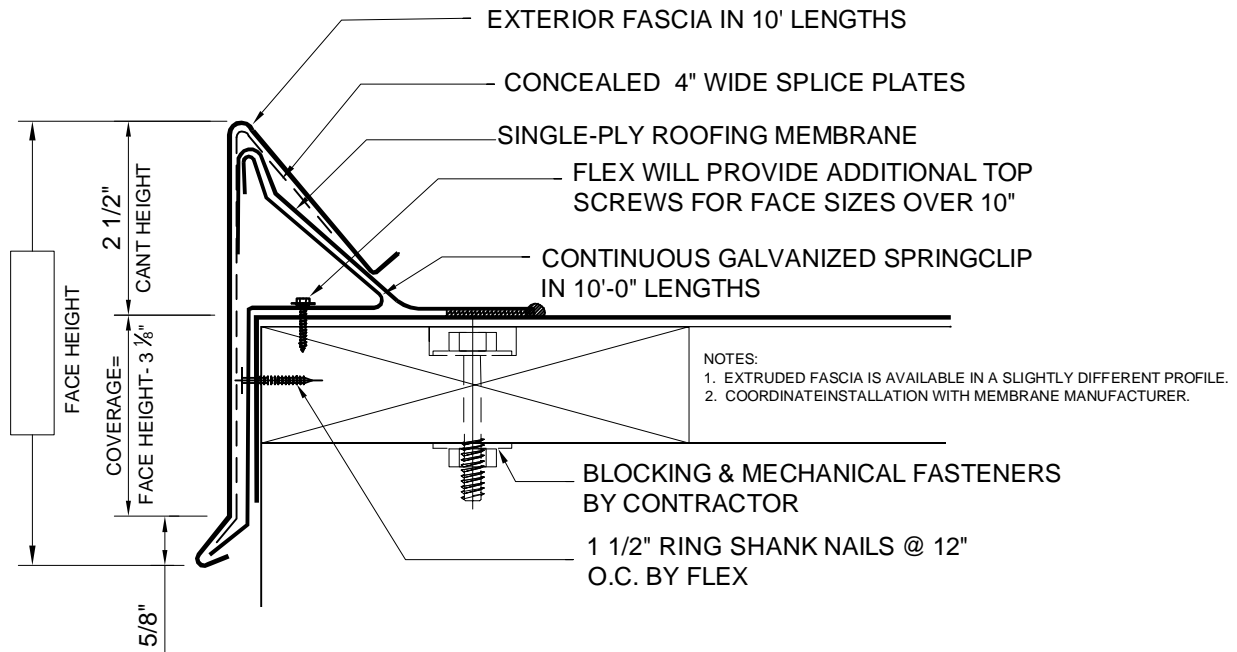


Flex™

Thermoplastic Single Ply Roofing Systems
 Flex Membrane International, Inc.
 2670 Leisz's Bridge Rd., Suite 400, Leesport, PA 19533
 Telephone: 610-916-9500 Fax: 610-916-9501

FlexLock Fascia FLS Order /Specification Form (For Single-Ply Membrane)

Factory Mutual Approved
 ANSI/SPRI ES-1 Tested



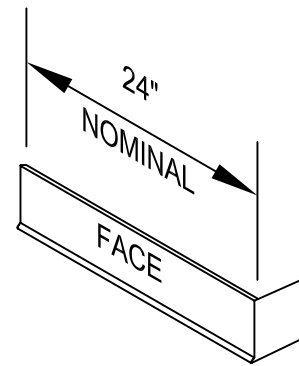
DETAIL:	ARCHITECTURAL REF:	DESCRIPTION:		
QUANTITY, THIS DETAIL _____ TOTAL LF _____ OUTSIDE CORNERS _____ INSIDE CORNERS _____ SPECIAL CORNERS (attach sketches) _____ END CAP - L _____ END CAP - R _____ END TERM - L _____ END TERM - R _____ RADIUS LF _____ RADIUS CORNERS (attach sketches)		MATERIAL	ACCESSORY TYPE	FINISH
		<input type="checkbox"/> ALUMINUM <input type="checkbox"/> GALVANIZED <input type="checkbox"/> STAINLESS STEEL <input type="checkbox"/> _____ THICKNESS <input type="checkbox"/> .050 <input type="checkbox"/> .063 <input type="checkbox"/> .080 <input type="checkbox"/> 24 GA <input type="checkbox"/> EXTRUDED (SEE NOTE) <input type="checkbox"/> _____	<input type="checkbox"/> WELDED <input type="checkbox"/> METAL-LOCK * IF ACCESSORY TYPE IS NOT CHECKED, WE WILL ASSUME "METAL-LOCK"	<input type="checkbox"/> MILL FINISH <input type="checkbox"/> PREFINISHED KYNAR <input type="checkbox"/> POST FINISHED KYNAR <input type="checkbox"/> PREFINISHED ANODIZE <input type="checkbox"/> POST FINISHED ANODIZE <input type="checkbox"/> _____ .063 PREFINISHED KYNAR IS ONLY AVAILABLE IN 7 STD. COLORS.
		COLOR _____		

Transmittal <input type="checkbox"/> REQUEST FOR QUOTATION <input type="checkbox"/> SUBMIT FOR APPROVAL <input type="checkbox"/> REQUEST FOR INFORMATION <input type="checkbox"/> CONFIRMING TELECONFERENCE <input type="checkbox"/> FOR YOUR FILES By _____ Date _____	Customer Approval <input type="checkbox"/> APPROVED FOR FABRICATION <input type="checkbox"/> APPROVED AS NOTED <input type="checkbox"/> AMEND & RESUBMIT _____ Authorized Customer Signature _____ Title _____ Date _____
---	--

Job Name	Job #
Location	Sheet of
Customer	By
Representative	Date
Architect	G:\A13\ORDERSPECIECONOSNAPECONOSANP

FlexLock Fascia FLS

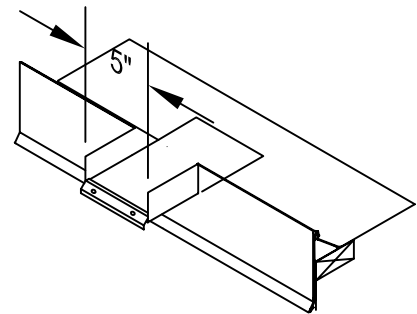
Fascia Model	Fascia Face Height in.	Minimum Fascia Gauge in.	Maximum Nailer Thickness Covered in.	Springclip Gauge B&S
EC1-550	5 1/2	.050	2 1/4	24
EC1-700	7	.050	3 3/4	24
EC1-850	8 1/2	.050	5 1/4	24
EC1-1000	10	.063	6 3/4	22



END CAP
RIGHT HAND SHOWN

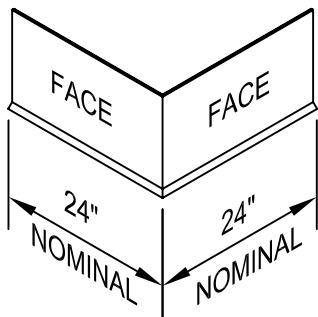
EXTRUDED FASCIA MODELS

ECX1-625	6 1/4	.080	3	24
ECX1-800	8	.090	4 3/4	24
ECX1-1000	10	.125	6 3/4	22

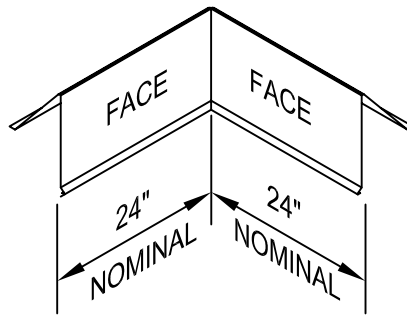


SPILLOUT SCUPPER

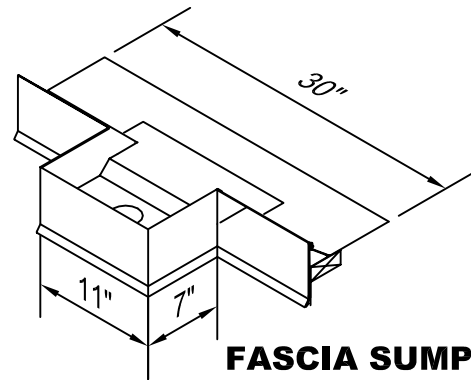
Intermediate Formed Fascia Sizes May Be Specified Within The Formed Fascia Ranges.



OUTSIDE CORNER



INSIDE CORNER



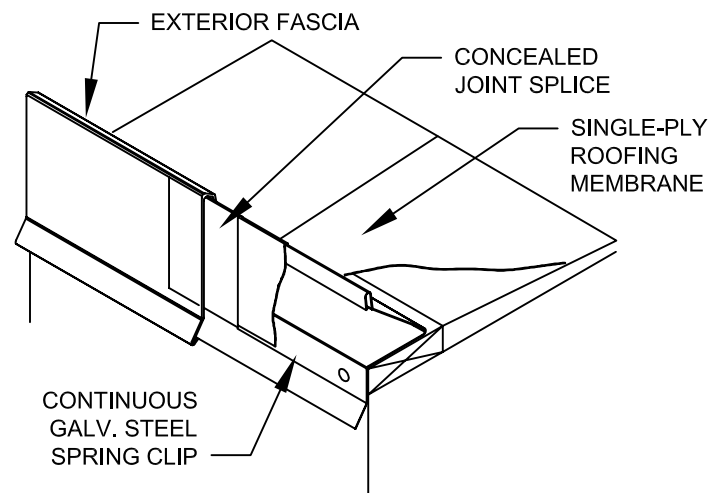
FASCIA SUMP

NOTE: VERIFY ALL INSTALLATION DETAILS FOR ACCEPTANCE BY MEMBRANE MANUFACTURER.

STANDARD FASCIA CORNERS ARE 90° - 24" x 24". STANDARD END CAPS ARE 24" LONG.

FOR SPECIAL CORNER REQUIREMENTS, ATTACH SKETCHES. OR CONSULT MFR. FOR ASSISTANCE.

MINIMUM AND MAXIMUM SIZES ARE INDICATED. INTERMEDIATE SIZES MAY BE SPECIFIED WITHIN THESE RANGES. CONSULT MFR. FOR REQUIREMENTS NOT WITHIN THESE RANGES. WHEN FACE SIZE EXCEEDS STD., ADDITIONAL FASTENERS ARE REQUIRED ON FACE OF SPRINGCLIP.



FLEX MEMBRANE INTERNATIONAL
FLEXCAP PARAPET COPING TYPE
FLC FOR SINGLE PLY MEMBRANE

Flex™