

SPECIFICATIONS

COMPOSITION

Factory preassembled components consisting of:

Tube: Precision formed from Galvanized (G-90) coated steel to prevent corrosion. The tube is shaped to easily penetrate decking and existing membranes.

Disk: Precision formed from Galvalume (AZ-55) coated steel to prevent corrosion. Securely clamped to the tube, 2.7" diameter, rib reinforced to resist cupping.

Locking Staple: Precision formed from high tensile steel wire. Coated to prevent corrosion.

TECHNICAL DATA

Fastening Pattern: Consult Flex for requirements for recommended patterns in normal, exposed, and hurricane areas.

Field Testing: On-site withdrawal testing should always be performed to evaluate the ability of the roofing substrate to satisfactorily accept and retain fasteners. Such testing may alter fastener selection and modify applicable fastening patterns.

The OlyLok should always be embedded into the structural roof deck to a depth of at least 1".

INSTALLATION

Installation Tools: There are two tools that must be used to install the OlyLok Locking Impact Nail. The OlyLok Driver is for installing base sheet and recovery board to the substrate. For securing ISO or EPS to the substrate use the OlyLok Insulation Tool, which has a larger impact area. Consult Flex for the specific driver for your application.

Method: Drive fastener perpendicular to roof deck seating cap flush with roofing surface. Once tube is set, drive the locking staple thru the tube/disk unit into the deck until the top of the staple is flush with the cap (see illustration).

Operation: When locking staple is driven, its dual wire legs diverge anchoring the fastener in place (see illustration). Uplift resistance may vary depending on the density and integrity of the substrate.

Packaging: 1.4", 1.8", 2.8", and 3.8" OlyLoks packaged 500 per carton.
4.8" OlyLoks packaged 250 per carton.

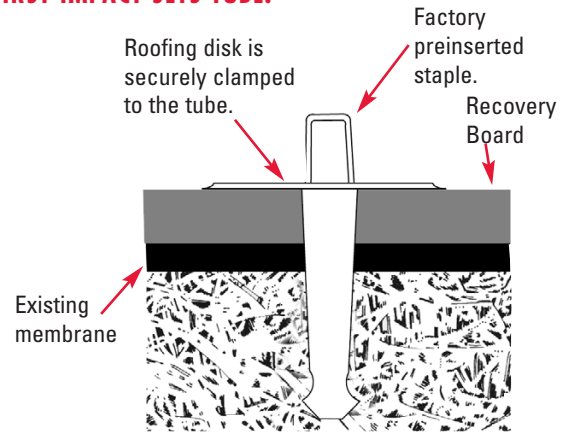
MADE IN THE U.S.A.



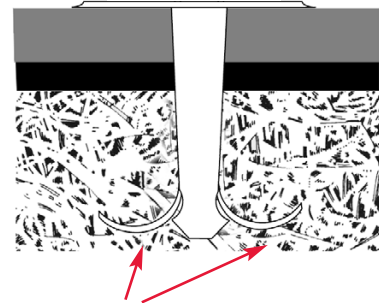
Thermoplastic Single Ply and Multi-Ply Roofing Systems

800-969-0108 • 610-916-9501 (Fax)
2670 Leisz's Bridge Road, Suite 400, Leesport, PA 19533
e-mail: flexroof@cs.com • www.flexroofingsystems.com

FIRST IMPACT SETS TUBE.

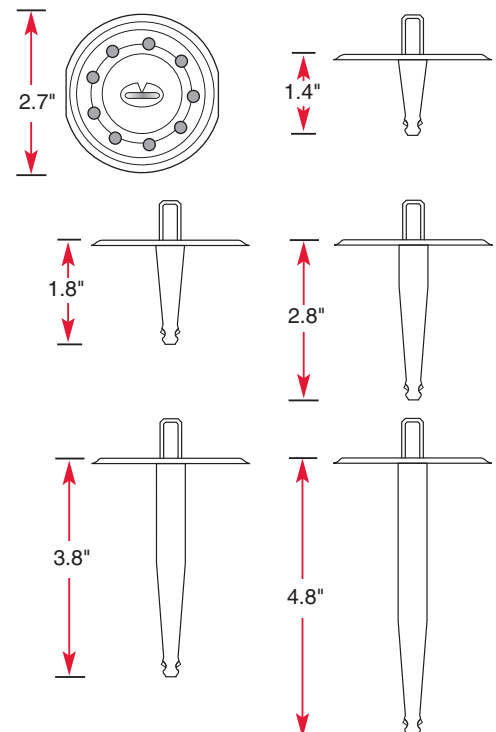


SECOND IMPACT ACTUATES STAPLE.



As locking staple is driven, its dual wire legs diverge anchoring the fastener in place.

5 LENGTHS



USING THE OLYLOK

Fastener density and spacing vary depending on applicable uplift requirements. Local codes, governing approval bodies, membrane manufacturers, and individual roofdeck manufacturers all may have specific requirements that need to be addressed prior to beginning any roofing project.

The OlyLok should always be embedded into the structural roof deck to a depth of at least 1". The following illustrates typical Factory Mutual recommended fastening patterns widely accepted by membrane and roofdeck manufacturers.

Fastening Guide 1

Recovery board and Insulation attachment under built-up and modified bitumen roof covers.

Class I-90 Windstorm Classification.

An FMRC Approved Recovery Board/Insulation suitable for use with minimum 3 ply built-up or modified membranes is attached with 8 OlyLok fasteners per 4'x 4' board in a diamond in a box pattern. (1 fastener per 2 ft.²)

Consult Flex for a complete listing of approved recovery boards/insulations.

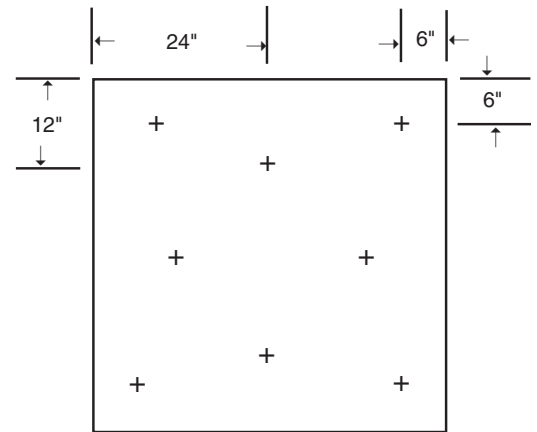
Fastening Guide 2

Recovery board and insulation attachment under fully adhered single ply membranes.

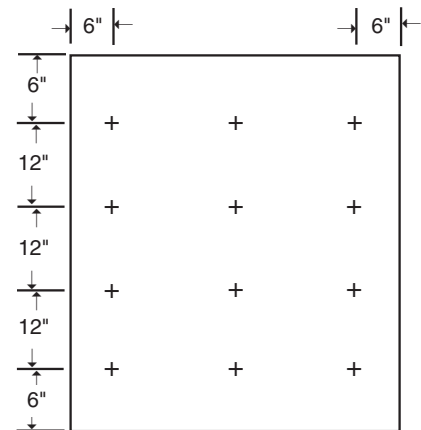
Class I-90 Windstorm Classification.

An FMRC Approved Recovery Board/Insulation suitable for use with fully adhered single ply membranes is attached with 12 OlyLok fasteners per 4'x 4' board in 4 rows of 3 fasteners per row. (1 fastener per 1.33 ft.²)

Consult Flex for a complete listing of approved recovery boards/insulations.



8 Fasteners



12 Fasteners



Thermoplastic Single Ply and Multi-Ply Roofing Systems

800-969-0108 • 610-916-9501 (Fax)
 2670 Leisz's Bridge Road, Suite 400, Leesport, PA 19533
 e-mail: flexroof@cs.com • www.flexroofingsystems.com