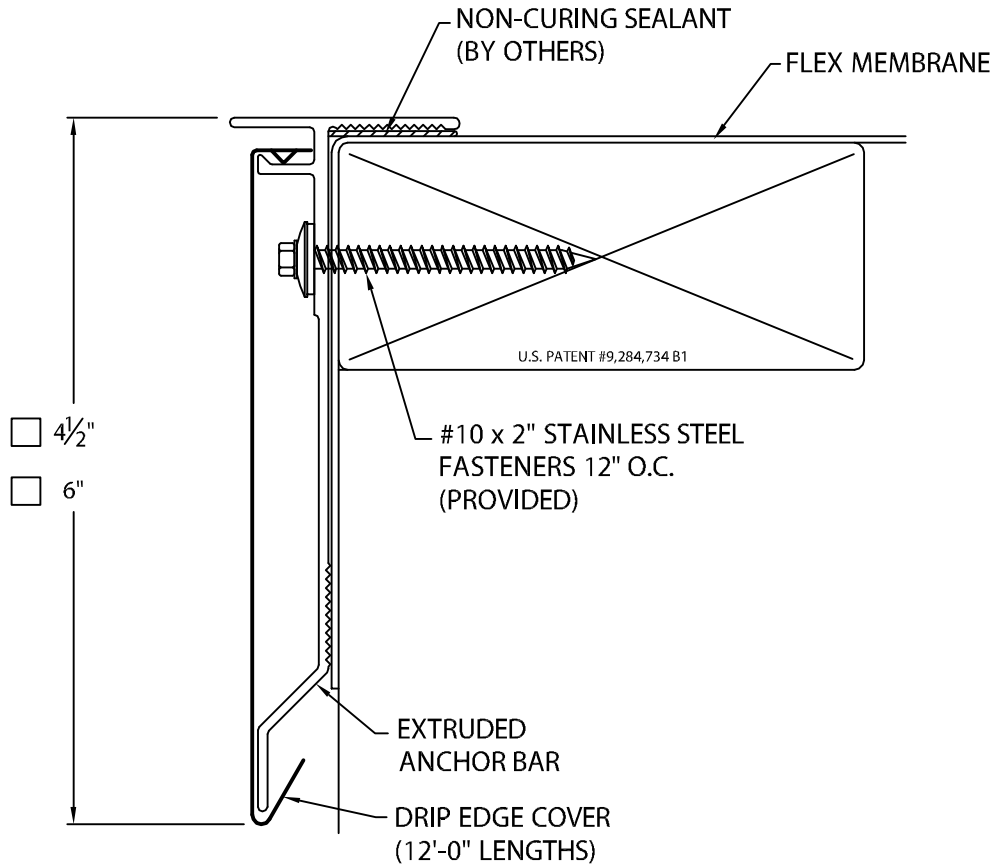




FLEXLOCK DRIP EDGE

ANSI/SPRI ES-1 DESIGN PRESSURE OF 577 psf



1" LAP JOINTS PROVIDED

Fabrication will proceed only after receipt of signed print approval.

Print Approval:

Architect and/or contractor shall verify all dimensions, sizes and quantities. All products to be installed in strict accordance with Flex's printed instructions.

Approved by: _____

Date: _____

MATERIAL:

___ 24 Ga. Galv. Steel ___ .040" Aluminum

___ OTHER _____

Color: _____ Finish: _____

QUANTITIES:

_____ Lineal Feet (12'-0" Lengths)

_____ Outside Miter(s) @ 90°

_____ Inside Miter(s) @ 90°

FOR NON-90 MITERS SEE PRINT APPROVAL #28010-3436

PROJECT:

ARCHITECT:

ROOFING CONTRACTOR:

REPRESENTATIVE/DISTRIBUTOR:

Customer Service:

Phone: 800-969-0108

Fax: 610-916-9501



DATE: 08/11/16

DRN BY: JAB

CKD BY: SAK

SHT.# ___ OF ___

DWG# 28010-23997

C