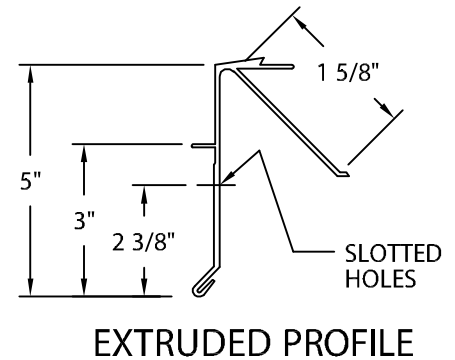
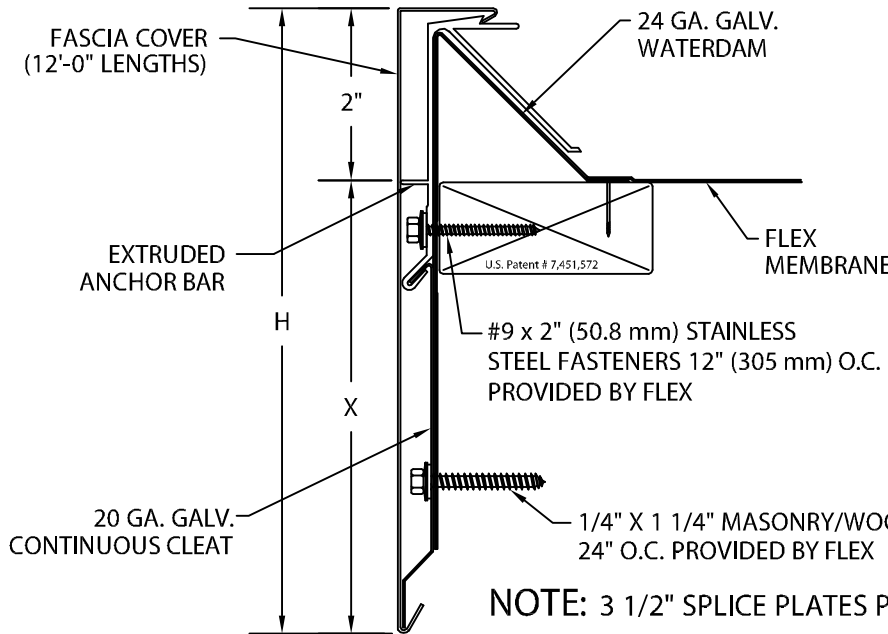




# FLEXLOCK FLE EXTENDED CANTED ROOF EDGE

GALVANIZED WATERDAM VERSION

ANSI/SPRI ES-1 DESIGN PRESSURE OF 190 psf



## FLEXLOCK FLE EXTENDED CANTED ROOF EDGE DIMENSIONS

NOA NO. 08-0604.02  
MIAMI-DADE COUNTY, FLORIDA  
12/11/13

| PRODUCT ID. NO.                    | H DIM            | X DIM            |
|------------------------------------|------------------|------------------|
| <input type="checkbox"/> AEFC-902  | 9" (229 mm)      | 7" (178 mm)      |
| <input type="checkbox"/> AEFC-1052 | 10 1/2" (267 mm) | 8 1/2" (216 mm)  |
| <input type="checkbox"/> AEFC-1202 | 12" (305 mm)     | 10" (254 mm)     |
| <input type="checkbox"/> AEFC-1352 | 13 1/2" (343 mm) | 11 1/2" (292 mm) |

Fabrication will proceed only after receipt of signed print approval.

## Print Approval:

Architect and/or contractor shall verify all dimensions, sizes and quantities. All products to be installed in strict accordance with Flex's printed instructions.

Approved by: \_\_\_\_\_

Date: \_\_\_\_\_

Unless otherwise specified 24 ga. galv. waterdam provided.

by Flex  by Contractor

## MATERIAL:

\_\_\_ .050" (1.27 mm) Aluminum  
\_\_\_ .063" (1.60 mm) Aluminum  
\_\_\_ OTHER \_\_\_\_\_

Color: \_\_\_\_\_

Finish: \_\_\_\_\_

## QUANTITIES:

\_\_\_\_\_ Lineal Feet 12'-0" (3.65 m) Lengths

\_\_\_\_\_ Outside Miters @ (\_\_\_\_°)

\_\_\_\_\_ Inside Miters @ (\_\_\_\_°)

\_\_\_\_\_ Overflow Scupper Style \_\_\_A\_\_\_B

\_\_\_\_\_ Spillout Scupper Style \_\_\_A\_\_\_B

\_\_\_\_\_ Downspout Scupper Style \_\_\_A\_\_\_B

(\_\_\_\_X\_\_\_\_) Size A: Tapered 1 1/2" Drop  
B: Flat

PROJECT:

ARCHITECT:

ROOFING CONTRACTOR:

REPRESENTATIVE/DISTRIBUTOR:

Customer Service:

Phone: 800-969-0108

Fax: 610-916-9501



DATE: 10/11/11

DRN BY: JJC

CKD BY: SAK

SHT.# \_\_\_ OF \_\_\_

DWG# 28010-14420

A