



Flexlock FLT Extended Roof Edge

Fully Adhered, Mechanically Attached Single-Ply Version

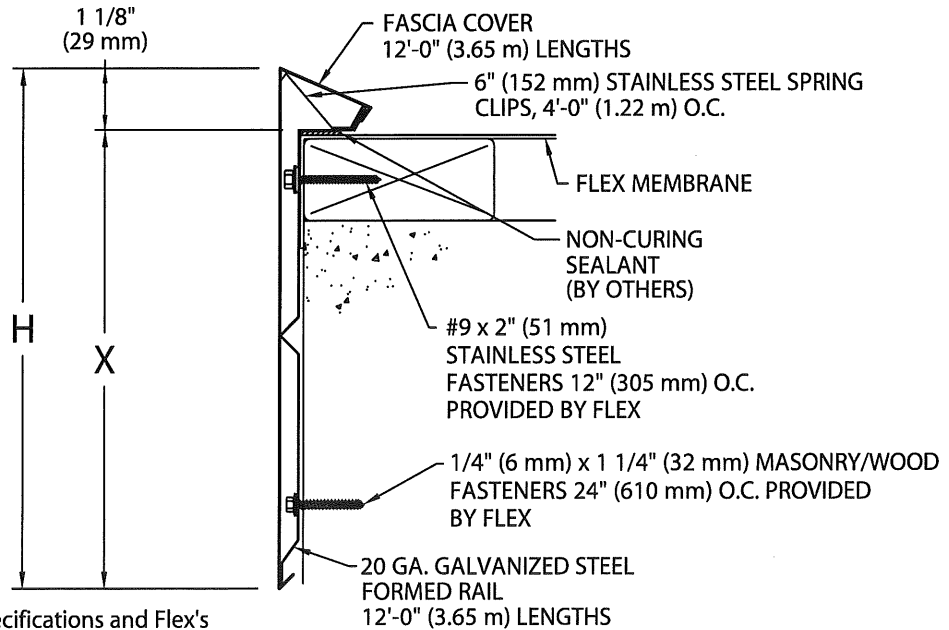
Warranty:	The entire roof system is covered under one warranty and inspected after the project is complete to assure proper installation. The system is inspected after the project is complete to assure proper installation. This ensures protection for the most vulnerable area of the roof against failure due to extreme wind up lift pressures.
Testing:	Tested per ANSI/SPRI ES-1 Standard to a design pressure of 200 lbs./ft ² to comply with the International Building Code.
Standard Sizes:	Sizes range from 9½" up to 12½" face heights to accommodate multiple nailers and coverage requirements. <ul style="list-style-type: none">• 9½"• 11"• 12 ½"
Available Materials:	Covers can be manufactured in .050" and .063" aluminum.
Splice Plates:	Interlocking, concealed splice plate design prevents splice plate migration under the fascia panels. This creates a more aesthetically pleasing design compared to traditional cover plates or lap joints at the seams.
Competitively Priced:	Receive factory engineered quality, economically priced for cost conscious projects.
Efficient Design:	The product is provided in 12'-0" lengths with pre-punched holes for quicker installation and lower labor costs. The fastening holes are slotted to allow for proper thermal movement of the materials and ensure correct fastener placement and spacing.
Colors:	Choose among a wide range of standard colors and finishes that match any job requirement. Custom colors and anodized finishes are also available. A 20 year Kynar 500® finish warranty is available upon request.
Accessories:	Factory fabricated miters, scuppers and drainage accessories provide a cleaner, more aesthetically pleasing appearance. This eliminates the need for field fabrication, providing time and labor savings.
Also Included:	All fasteners are included and will arrive to the job site with the product.

FLEXLOCK FLT EXTENDED ROOF EDGE

FULLY ADHERED OR MECHANICALLY ATTACHED SINGLE-PLY VERSION

ANSI/SPRI ES-1 DESIGN PRESSURE OF 200 psf

.050" AND .063" MATERIAL



Fascia is to be installed per Specifications and Flex's Installation Instructions Dwg. # 28110-11798

FLEXLOCK FLT EXTENDED ROOF EDGE DIMENSIONS

FASCIA COVER PROVIDED WITH 3 1/2" (89 mm) SPLICE PLATES

PRODUCT ID. NO.	H DIM	X DIM	NAILER COVERAGE
<input type="checkbox"/> ME-95	9 1/2" (241 mm)	8 3/8" (213 mm)	5 NAILERS
<input type="checkbox"/> ME-110	11" (279 mm)	9 7/8" (251 mm)	6 NAILERS
<input type="checkbox"/> ME-125	12 1/2" (318 mm)	11 3/8" (289 mm)	7 NAILERS

MATERIAL:

___ .050" (1.27 mm) Alum.
 ___ .063" (1.60 mm) Alum.
 ___ OTHER _____

Color: _____

Finish: _____

QUANTITIES:

_____ Lineal Feet 12'-0" (3.65 m) Lengths
 _____ Outside Miters @ (____)°
 _____ Inside Miters @ (____)°
 _____ Overflow Scupper Style ___A___B
 _____ Spillout Scupper Style ___A___B
 _____ Downspout Scupper Style ___A___B
 (____X____) Size A: Tapered 1 1/2" (38 mm) Drop
 B: Flat

Fabrication will proceed only after receipt of signed print approval.

Print Approval:

Architect and/or contractor shall verify all dimensions, sizes and quantities. All products to be installed in strict accordance with Flex's printed instructions.

Approved by: _____

Date: _____

PROJECT: _____
 ARCHITECT: _____
 ROOFING CONTRACTOR: _____
 REPRESENTATIVE/DISTRIBUTOR: _____

Customer Service:
 Phone: 800-558-2162
 Fax: 800-373-9156



DATE: 05/11/10	SHT.# ___ OF ___
DRN BY: JJC	DWG# 28010-11797 A
CKD BY: SAK	