

Flexlock FLT Roof Edge



Fully Adhered or Mechanically Attached Single-Ply Version

Warranty:	The entire roof system is covered under one warranty and inspected after the project is complete to assure proper installation. The system is inspected after the project is complete to assure proper installation. This ensures protection for the most vulnerable area of the roof against failure due to extreme wind up lift pressures.
Testing:	<ul style="list-style-type: none">• Tested per ANSI/SPRI ES-1 Standard to a design pressure of 200 lbs./ft² to comply with the International Building Code.• Factory Mutual 1-225 approved for wind up lift protection when using the .050" formed rail.
Standard Sizes:	Sizes range from 4" up to 8" face heights to accommodate multiple nailers and coverage requirements. <ul style="list-style-type: none">• 4"• 5"• 6 ½"• 8"
Available Materials:	Covers can be manufactured in 24 ga. steel and .040" aluminum.
Competitively Priced:	Receive factory engineered quality, economically priced for cost conscious projects.
Efficient Design:	The product is provided in 12'-0" lengths with pre-punched holes for quicker installation and lower labor costs. The fastening holes are slotted to allow for proper thermal movement of the materials and ensure correct fastener placement and spacing.
Colors:	Choose among a wide range of standard colors and finishes that match any job requirement. Custom colors and anodized finishes are also available. A 20 year Kynar 500® finish warranty is available upon request.
Accessories:	Factory fabricated miters, scuppers and drainage accessories provide a cleaner, more aesthetically pleasing appearance. This eliminates the need for field fabrication, providing time and labor savings.
Also Included:	All fasteners are included and will arrive to the job site with the product.

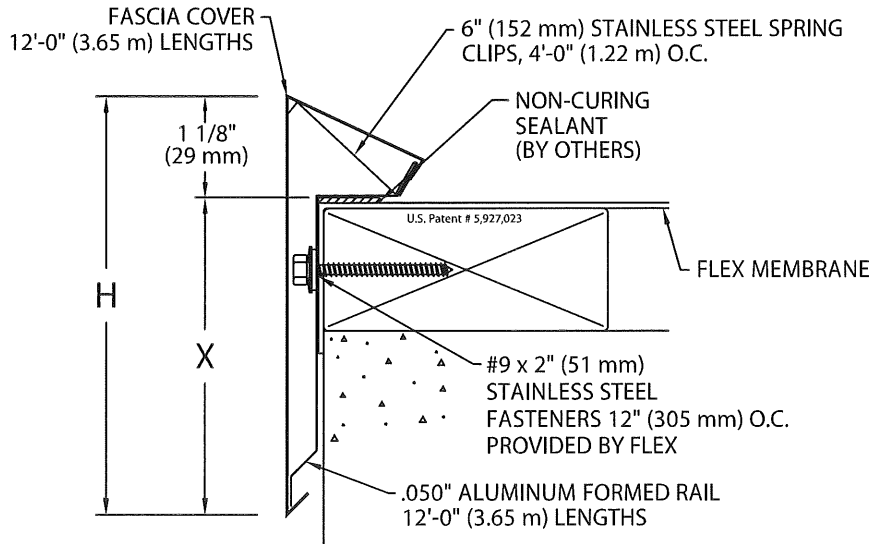


FLEXLOCK FLT ROOF EDGE

FULLY ADHERED OR MECHANICALLY ATTACHED SINGLE-PLY VERSION

ANSI/SPRI ES-1 DESIGN PRESSURE OF 200 psf

24 GA. AND .040" MATERIAL



Fascia is to be installed per Specifications and Flex's Installation Instructions Dwg. # 28110-11368

FASCIA COVER PROVIDED WITH 1" (25 mm) LAP JOINTS

FLEXLOCK FLT ROOF EDGE DIMENSIONS

PRODUCT ID. NO.	H DIM	X DIM	NAILER COVERAGE
<input type="checkbox"/> ME-40	4" (102 mm)	2 7/8" (73 mm)	1 NAILER
<input type="checkbox"/> ME-50	5" (130 mm)	3 7/8" (102 mm)	2 NAILERS
<input type="checkbox"/> ME-65	6 1/2" (168 mm)	5 3/8" (140 mm)	3 NAILERS
<input type="checkbox"/> ME-80	8" (206 mm)	6 7/8" (178 mm)	4 NAILERS

MATERIAL:

___ 24 Ga. (.65 mm) Galv. Steel
 ___ .040" (1.01 mm) Aluminum
 ___ OTHER _____

Color: _____

Finish: _____

QUANTITIES:

_____ Lineal Feet 12'-0" (3.65 m) Lengths
 _____ Outside Miters @ (____)°
 _____ Inside Miters @ (____)°
 _____ Overflow Scupper Style ___A___B
 _____ Spillout Scupper Style ___A___B
 _____ Downspout Scupper Style ___A___B
 (____X____) Size A: Tapered 1 1/2" (38 mm) Drop
 B: Flat

Fabrication will proceed only after receipt of signed print approval.

Print Approval:

Architect and/or contractor shall verify all dimensions, sizes and quantities. All products to be installed in strict accordance with Flex's printed instructions.

Approved by: _____

Date: _____

PROJECT:

ARCHITECT:

ROOFING CONTRACTOR:

REPRESENTATIVE/DISTRIBUTOR:

Customer Service:

Phone: 800-969-0108

Fax: 610-916-9501



DATE: 12/13/10

SHT.# ___ OF ___

DRN BY: JJC

CKD BY: SAK

DWG# 28010-11367

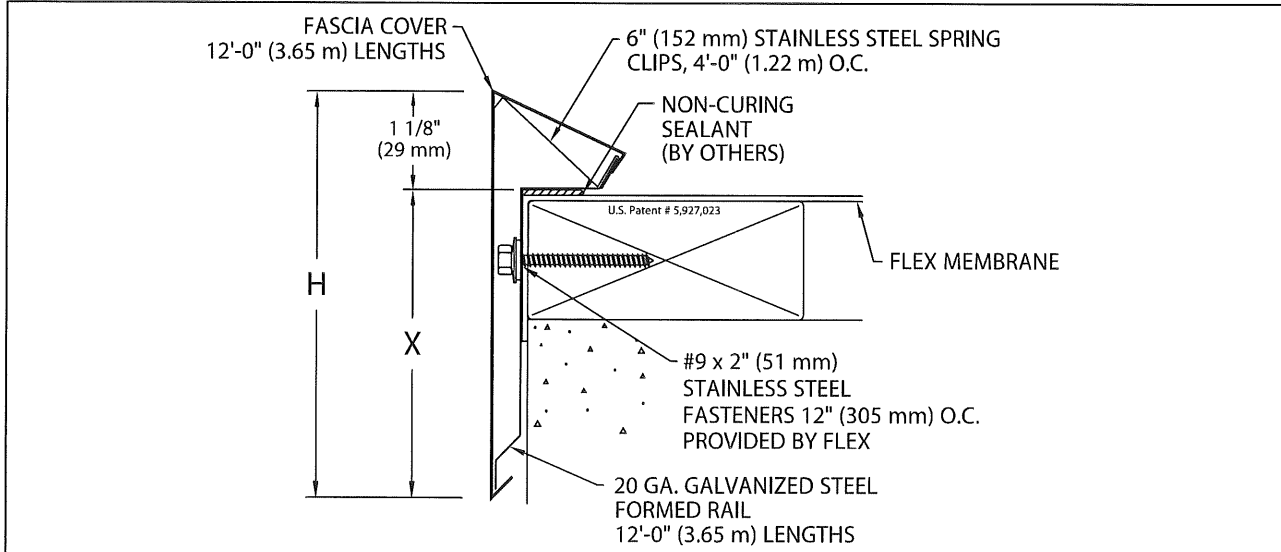
C

FLEXLOCK FLT ROOF EDGE

FULLY ADHERED OR MECHANICALLY ATTACHED SINGLE-PLY VERSION

ANSI/SPRI ES-1 DESIGN PRESSURE OF 200 psf

.050" AND .063" MATERIAL



Fascia is to be installed per Specifications and Flex's Installation Instructions Dwg. # 28110-11796

FASCIA COVER PROVIDED WITH 3 1/2" (89 mm) SPLICE PLATES

FLEXLOCK FLT ROOF EDGE DIMENSIONS

PRODUCT ID. NO.	H DIM	X DIM	NAILER COVERAGE
<input type="checkbox"/> ME-40	4" (102 mm)	2 7/8" (73 mm)	1 NAILER
<input type="checkbox"/> ME-50	5" (130 mm)	3 7/8" (102 mm)	2 NAILERS
<input type="checkbox"/> ME-65	6 1/2" (168 mm)	5 3/8" (140 mm)	3 NAILERS
<input type="checkbox"/> ME-80	8" (206 mm)	6 7/8" (178 mm)	4 NAILERS

Fabrication will proceed only after receipt of signed print approval.

Print Approval:

Architect and/or contractor shall verify all dimensions, sizes and quantities. All products to be installed in strict accordance with Flex's printed instructions.

Approved by: _____

Date: _____

MATERIAL:

___ .050" (1.27 mm) Alum.

___ .063" (1.60 mm) Alum.

___ OTHER _____

Color: _____

Finish: _____

QUANTITIES:

_____ Lineal Feet 12'-0" (3.65 m) Lengths

_____ Outside Miters @ (____)°

_____ Inside Miters @ (____)°

_____ Overflow Scupper Style ___A___B

_____ Spillout Scupper Style ___A___B

_____ Downspout Scupper Style ___A___B

(____X____) Size A: Tapered 1 1/2" (38 mm) Drop
B: Flat

PROJECT: _____

ARCHITECT: _____

ROOFING CONTRACTOR: _____

REPRESENTATIVE/DISTRIBUTOR: _____

Customer Service:
Phone: 800-969-0108
Fax: 610-916-9501



DATE: 12/13/10 SHT.# ____ OF ____

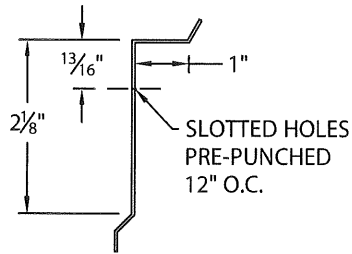
DRN BY: JJC

CKD BY: SAK DWG# 28010-11795 **B**

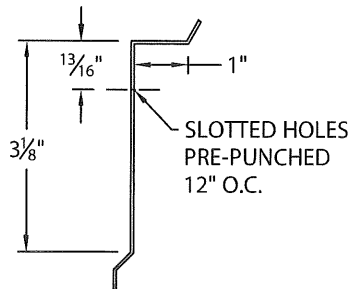
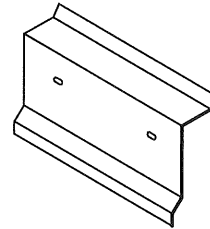
FLEXLOCK FLT ROOF EDGE

FULLY ADHERED OR MECHANICALLY ATTACHED SINGLE-PLY VERSION

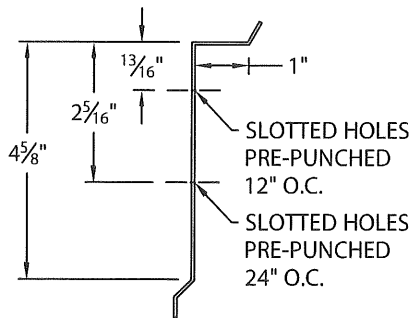
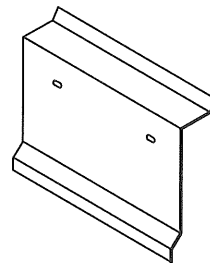
FORMED RAIL DETAILS



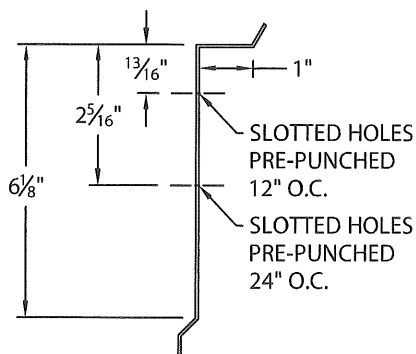
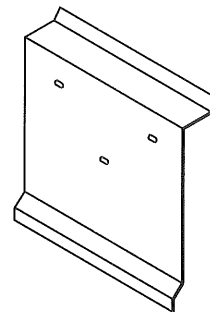
ME-40



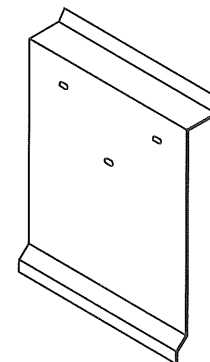
ME-50



ME-65



ME-80



Customer Service
Phone: 800-969-0108
Fax: 610-916-9501

DATE: 12/13/10

DRN BY: JJC

CKD BY: SAK

SHT.# ___ OF ___

DWG# 28510-3446

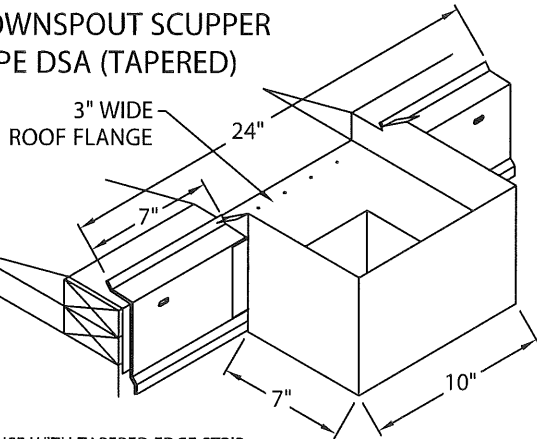
C

FLEXLOCK FLT ROOF EDGE SCUPPERS

FULLY ADHERED OR MECHANICALLY ATTACHED SINGLE-PLY VERSION

SCUPPERS - FACTORY WELDED CONSTRUCTION

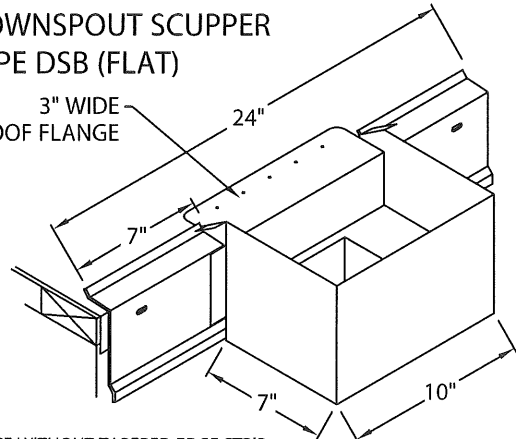
**DOWNSPOUT SCUPPER
TYPE DSA (TAPERED)**



FOR USE WITH TAPERED EDGE STRIP.
FLANGE LOWERED 1 1/2\".

NOTE : SPECIFY TUBE SIZE

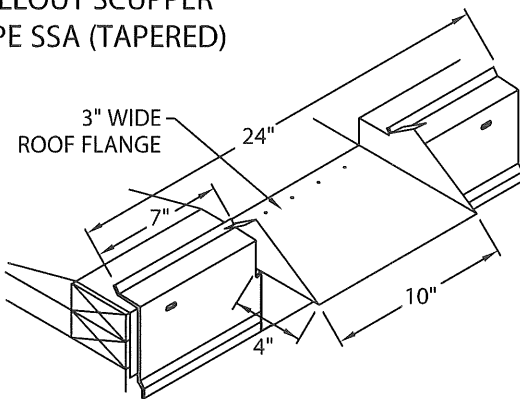
**DOWNSPOUT SCUPPER
TYPE DSB (FLAT)**



FOR USE WITHOUT TAPERED EDGE STRIP.
FLANGE FLUSH MOUNTED WITH ROOF.

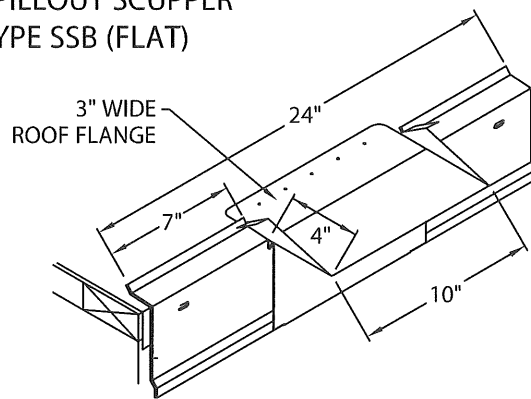
NOTE : SPECIFY TUBE SIZE

**SPILLOUT SCUPPER
TYPE SSA (TAPERED)**



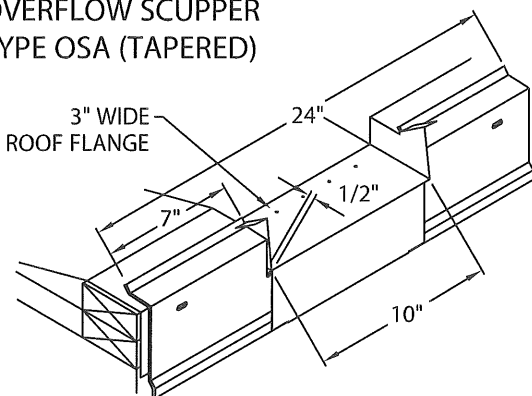
FOR USE WITH TAPERED EDGE STRIP.
FLANGE LOWERED 1 1/2\".

**SPILLOUT SCUPPER
TYPE SSB (FLAT)**



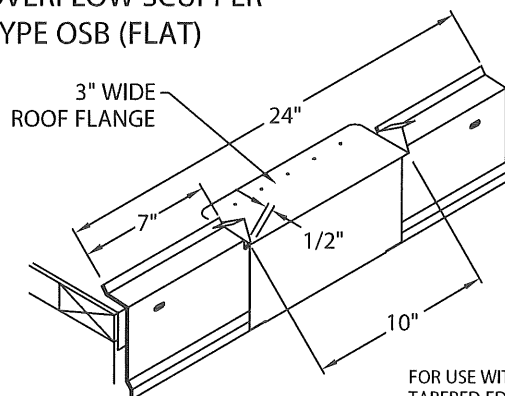
FOR USE WITHOUT TAPERED EDGE STRIP.
FLANGE FLUSH MOUNTED WITH ROOF.

**OVERFLOW SCUPPER
TYPE OSA (TAPERED)**



FOR USE WITH TAPERED EDGE STRIP.
FLANGE LOWERED 1 1/2\".

**OVERFLOW SCUPPER
TYPE OSB (FLAT)**



FOR USE WITHOUT
TAPERED EDGE STRIP.
FLANGE FLUSH
MOUNTED WITH ROOF.



Customer Service
Phone: 800-969-0108
Fax: 610-916-9501

DATE: 12/13/10

DRN BY: JJC

CKD BY: SAK

SHT.# ___ OF ___

DWG# 28510-3445

C