

Flex Heavy Duty PVC Coated RetroDrain

PRODUCT DATA SPECIFICATIONS

PRODUCT DESCRIPTION

The one-piece spun aluminum body has a plastisol coated flange for direct hot air welding of Flex Membrane PVC roof membranes. The drain flange has a depressed sump area to facilitate the easy drainage of all water from the roof surface. The drain is equipped with a heavy duty cast aluminum strainer dome for strength and durability. The Flex Heavy Duty PVC Coated RetroDrain incorporates U-Flow® Seal technology for a watertight mechanical connection to PVC or cast iron pipes. Available in 3-in., 4-in., 5-in. and 6-in. sizes.

FEATURES & BENEFITS

- One-piece seamless body manufactured from 0.125-in., 11 gauge spun aluminum.
- Extra large 17½-in., plastisol coated flange.
- Sump area.
- Flange has welded metal clips for dome attachment.
- 12-in. long drain stem.
- Incorporates U-Flow Seal technology for a secure, watertight connection.
- Simple and easy to install.

APPLICATION

Flex RetroDrains are designed to replace existing drains in reroofing applications. Installed from the roof surface, Flex RetroDrains are engineered to be installed without removing the existing plumbing or fixture while providing a watertight connection to the roof system and the existing plumbing.

APPROVALS & STANDARDS



ANSI/SPRI RD-1 is a national performance standard for retrofit roof drains. While most retrofit drains are not tested to this standard, Flex Insert Drains – including the Flex Heavy Duty PVC Coated RetroDrain with U-Flow Seal – exceed the standard, which requires that the seal hold a 10-ft. column of water for 24 hours without leaking.



PHYSICAL DATA

The data below is constant for each Flex Heavy Duty PVC Coated RetroDrain.

| DRAIN BODY | | SEAL | |
|---|--|---|--|
| 11 gauge (.125") spun aluminum | | Watertight U-Flow mechanical seal requires U-Flow screwdriver | |
| FLANGE | | STRAINER DOME | |
| 17½" diameter plastisol coated with sump area | | Cast aluminum | |
| STEM | | | |
| 12" length | | | |

ORDERING INFORMATION

| CAT. NO. | SIZE | DOME TYPE | PKG | DIMENSIONAL WEIGHT |
|----------|------|-----------|------|--------------------|
| 8044 | 3" | Aluminum | Each | 32 lbs. |
| 8045 | 4" | Aluminum | Each | 32 lbs. |
| 8046 | 5" | Aluminum | Each | 32 lbs. |
| 8047 | 6" | Aluminum | Each | 32 lbs. |

PL2804 Rev. 0815



Thermoplastic Single Ply and Multi-Ply Roofing Systems

800-969-0108 • 610-916-9501 (Fax)
 2670 Leiscz's Bridge Road, Suite 400, Leesport, PA 19533
 e-mail: flexroof@cs.com • www.flexroofingsystems.com

As with all building materials it is the responsibility of the installer to review its usage with a design professional to confirm safety, compatibility and acceptance with the roof cover manufacturer as well as local building codes.

Flex Heavy Duty PVC Coated RetroDrain

INSTALLATION PROCEDURE

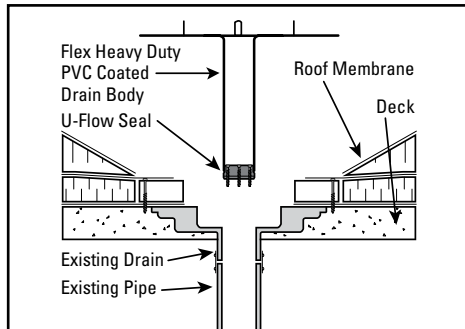
FOR USE WITH

Flex PVC membrane roof systems.

JOB PREPARATION

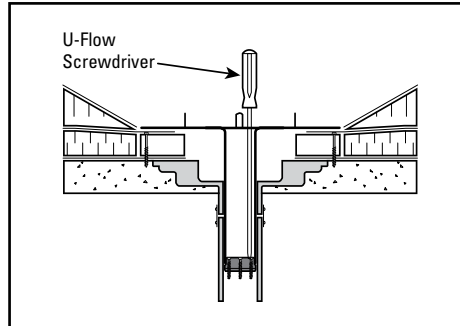
The existing leader pipe shall be cleaned of excess bitumen build-up, dirt and debris. Remove the clamping ring assembly and bolts from the existing drain and discard. If required, comply with roof manufacturer's directions for additional cleaning or detailing.

STEP 1



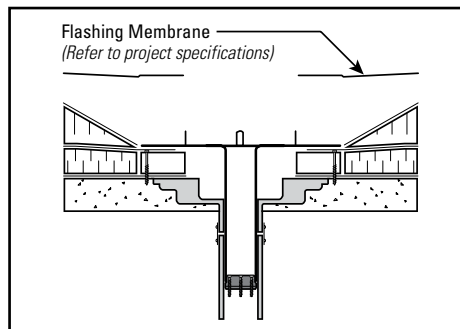
Examine the existing water leader to make sure there are no elbows that prevent the drain stem from being fully inserted into the pipe. (If an elbow is present, see "How to Shorten a Drain.") Insert U-Flow Seal into end of drain stem and tighten screws enough to hold the seal in place during installation. Insert assembled drain into existing leader pipe until flange lies flush on roof membrane.

STEP 2



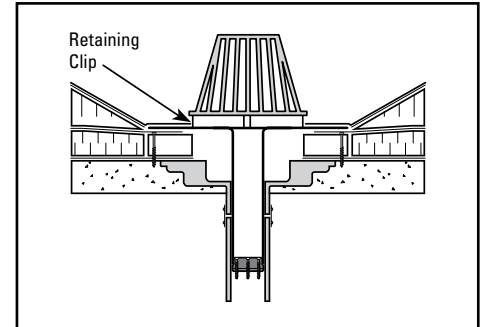
Alternately tighten seal compression ring screws with the U-Flow Screwdriver until hand tight. The Flex Heavy Duty PVC Coated RetroDrain is correctly installed when pressure placed on the drain body results in no vertical movement. Do not overtighten screws.

STEP 3



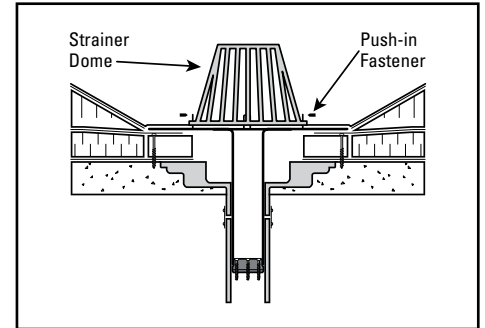
Secure the drain flange to the roof deck/nailer using a minimum of three pan-head fasteners, evenly spaced around the flange. The flashing membrane must cover and extend past the fastener head. Flashing membrane must be installed per Flex detail. Hot air weld the flashing membrane to the drain flange and the field membrane as detailed.

STEP 4



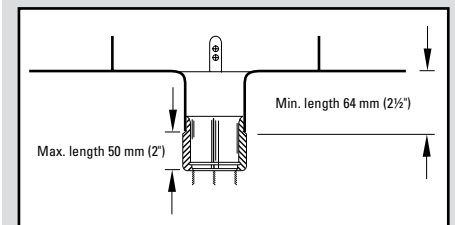
Install the strainer dome onto the retaining clips.

STEP 5



Insert nylon push-in fastener into the appropriate height hole in each of the three retaining clips.

HOW TO SHORTEN A FLEX RETROFIT DRAIN



Make sure there is at least 4-inches of clear vertical distance in the existing pipe to accommodate the drain. Cut drain stem to desired length and insert U-Flow Seal. **Note:** Leave at least 2.5-inches of the drain stem to accommodate the seal.

Insert the U-Flow Seal in the cut drain stem and tighten the seal screws. Once the drain and seal have been assembled, insert it into the existing water leader and complete the assembly following installation steps 2 thru 5.

Flex™

Thermoplastic Single Ply and Multi-Ply Roofing Systems

800-969-0108 • 610-916-9501 (Fax)

2670 Leisz's Bridge Road, Suite 400, Leesport, PA 19533

e-mail: flexroof@cs.com • www.flexroofingsystems.com

For technical assistance contact Flex at 800-969-0108 or fax 610-916-9501.