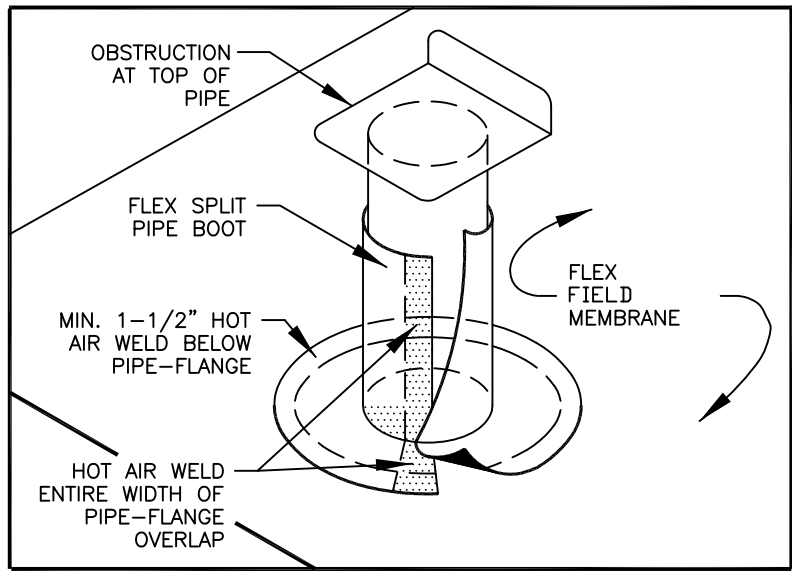


- NOTES:**
- 1) REMOVE ALL LEAD AND OTHER FLASHING.
  - 2) TEMPERATURE OF PIPE MUST NOT EXCEED 120F (49C.)
  - 3) FOR MECHANICALLY ATTACHED ROOF SYSTEMS INSTALL 4 FASTENERS AND PLATES AROUND PIPE EQUALLY SPACED. FASTENERS MAY ALSO BE POSITIONED MAXIMUM 12" FROM PIPE. FASTENERS MAY ALSO BE POSITIONED MAXIMUM 12" FROM PIPE. FASTENERS/PLATES ARE NOT REQUIRED ON ADHERED SYSTEMS UNLESS PIPE DIAMETER EXCEEDS 18."
  - 4) PIPE FLASHING DECK FLANGE MUST BE HOT AIR WELDED A MINIMUM OF 1-1/2" BEYOND FASTENING PLATES.



TITLE	FLEX SPLIT PIPE BOOT	
NAME	DETAIL NO. 4.70	
DRAWN BY:	SK	DATE: 8/2012
APPLICABLE TO ALL FLEX		
ADHERED ROOFING SYSTEMS		
FLEX MEMBRANE INTERNATIONAL	2670 LEISCZ'S BRIDGE RD. LEESPORT, PA 19533 800-969-0108 FlexRoofingSystems.com	