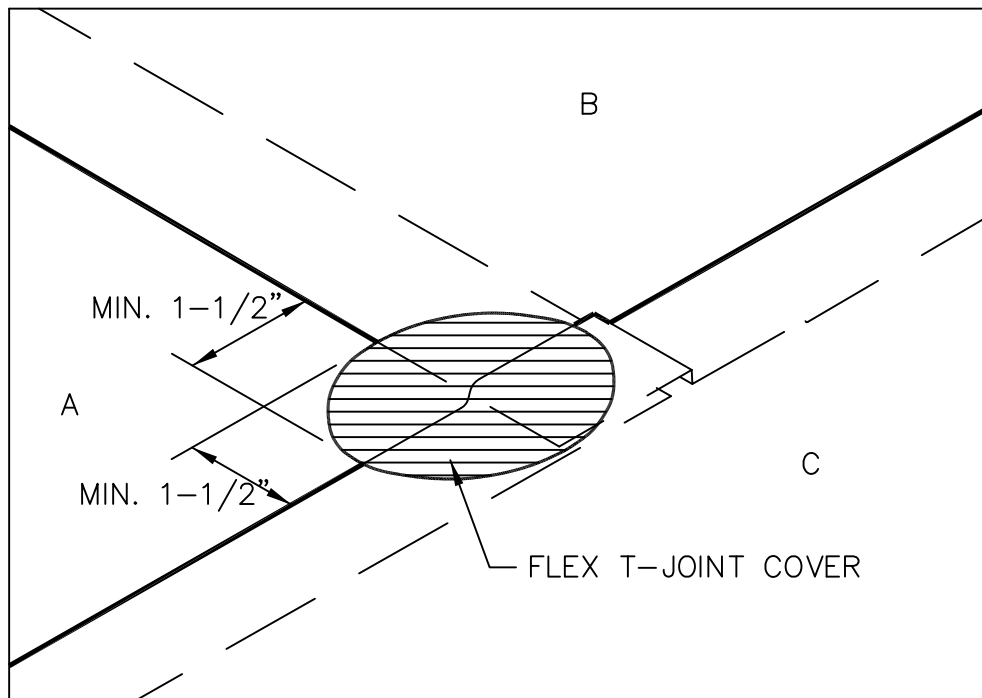


① POSITION SHEETS AND HOT AIR WELD THE FLEX MFR MEMBRANE A MINIMUM OF 1-1/2 (40 mm) INCHES.



② INSTALL A 4.5" DIAMETER FLEX T-JOINT COVER CENTERED OVER THE SPLICE INTERSECTION ("T-JOINT") AS SHOWN.

TITLE	
FLEX T-JOINT COVER	
NAME	
DETAIL NO. 3.11	
DRAWN BY:	DATE:
SK	8/2012
APPLICABLE TO ALL FLEX	
MECHANICALLY ATTACHED SYSTEMS	
FLEX MEMBRANE INTERNATIONAL	2670 LEISCZS BRIDGE RD LEESPORT, PA 19533 800-969-0108 FlexRoofingSystems.com