

FASCIA COVER
(12'-0" LENGTHS)

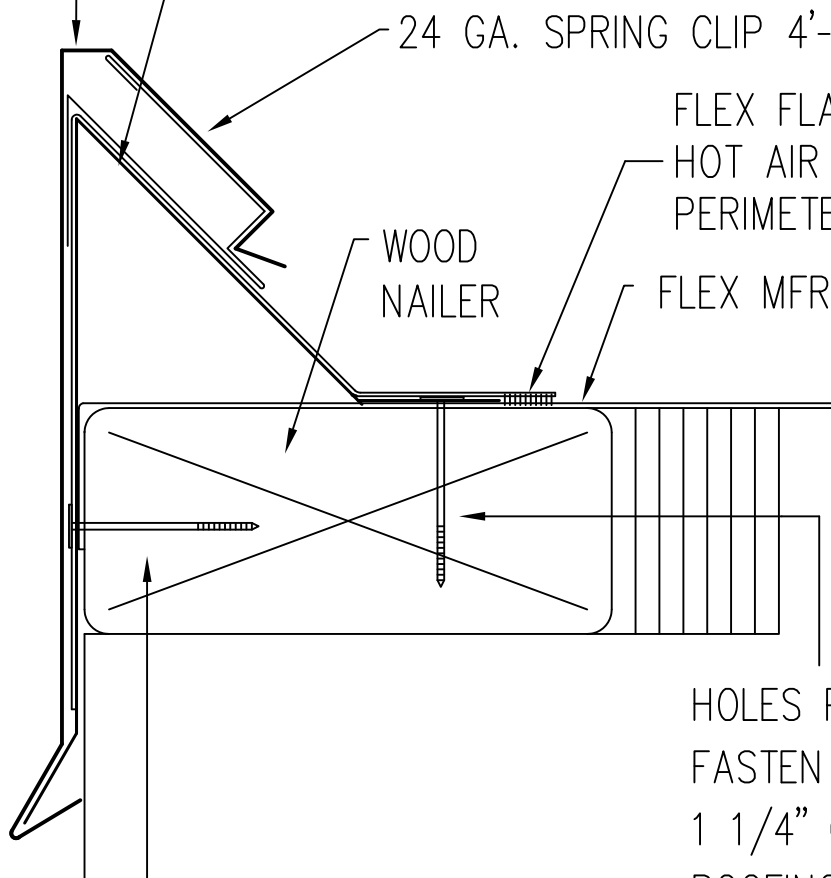
24 GA. GALV.
STEEL WATERDAM

24 GA. SPRING CLIP 4'-0" O.C.

FLEX FLASHING MEMBRANE
HOT AIR WELDED TO
PERIMETER MEMBRANE

WOOD
NAILER

FLEX MFR PERIMETER MEMBRANE



HOLES PRE-PUNCHED 6" O.C.
FASTEN PER JOB REQUIREMENTS.
1 1/4" GALV. RING SHANK
ROOFING NAILS PROVIDED

FASTEN PRE-PUNCHED WATERDAM 12"
O.C. WITH 1 1/4" GALV. RING SHANK
ROOFING NAILS. (PROVIDED)

TITLE	FLEX LOCK FLS EDGE DETAIL	
NAME	DETAIL NO. 1.20	
DRAWN BY:	SK	DATE: 8/2012
APPLICABLE TO ALL FLEX		
MECHANICALLY FASTENED SYSTEMS		
FLEX MEMBRANE INTERNATIONAL	2670 LEISCZ'S BRIDGE RD. LEESPORT, PA 19533 800-969-0108 FlexRoofingSystems.com	