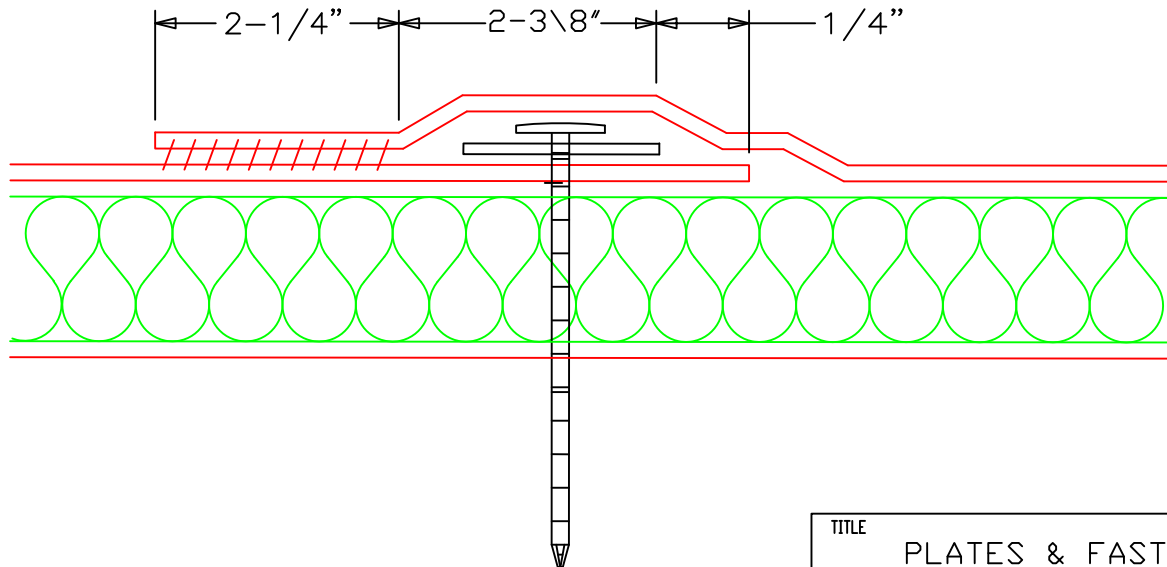


PLANE VIEW



XHD PLATE = 2 $\frac{3}{8}$ " DIAMETER

SXHD PLATE = 2 $\frac{3}{4}$ " DIAMETER

TITLE	PLATES & FASTENERS	
NAME	DETAIL NO. 6.30	
DRAWN BY:	SK	DATE: 8/2012
APPLICABLE TO FLEX		
MECHANICALLY FASTENED SYSTEMS		
FLEX MEMBRANE INTERNATIONAL	2670 LEISCZ'S BRIDGE RD. LEESPORT, PA 19533 800-969-0108 FlexRoofingSystems.com	