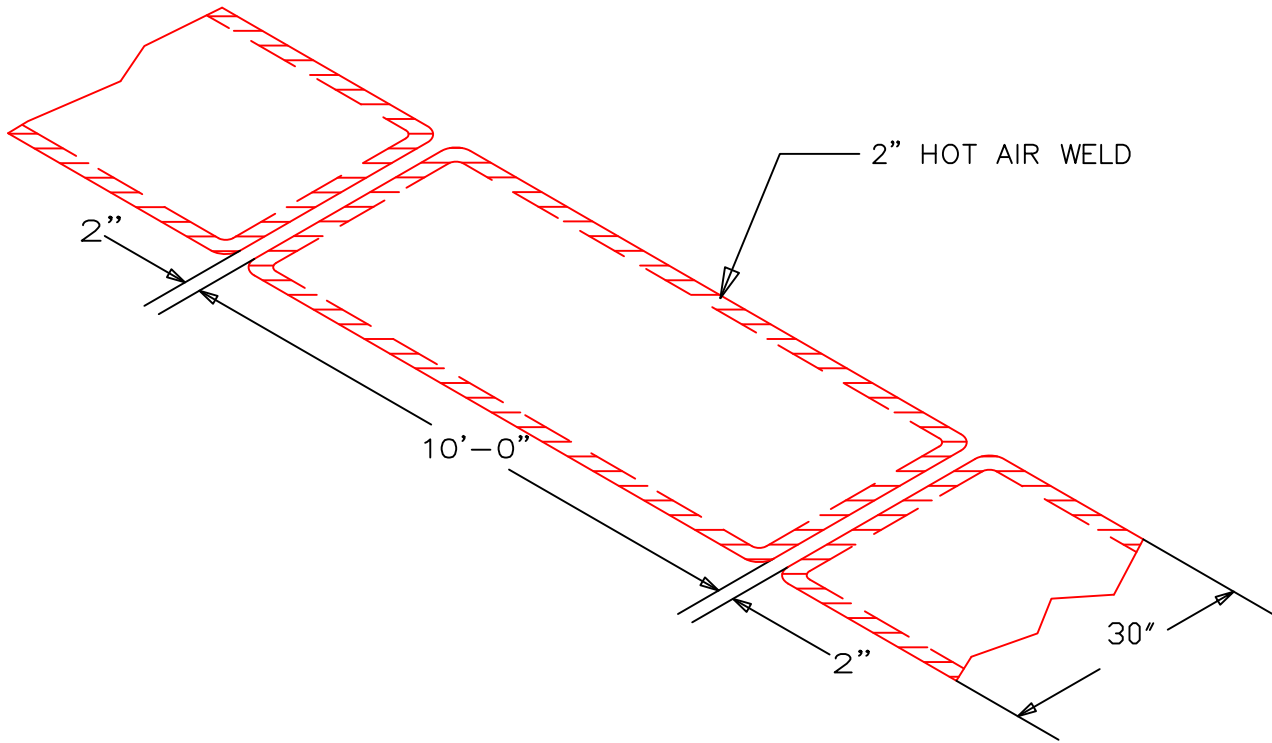


FLEX WALKWAY PAD - 2.5'X60' ROLL

FLEX WALKWAY MATERIAL NOT TO BE INSTALLED IN CONTINUOUS SECTIONS EXCEEDING 10' IN LENGTH. ADHERE WALKWAY TO FIELD MEMBRANE WITH FLEX BONDING ADHESIVE. LEAVE 2" OF WALKWAY PERIMETER FREE OF ADHESIVE. HOT AIR WELD THE 2" EDGE TO THE FLEX FIELD MEMBRANE.



TITLE	WALKWAY PAD	
NAME	DETAIL NO. 5.40	
DRAWN BY:	SK	DATE:
		8/2012
APPLICABLE TO FLEX		
MECHANICALLY FASTENED SYSTEMS		
FLEX MEMBRANE INTERNATIONAL	2670 LEISCZ'S BRIDGE RD. LEESPORT, PA 19533 800-969-0108 FlexRoofingSystems.com	