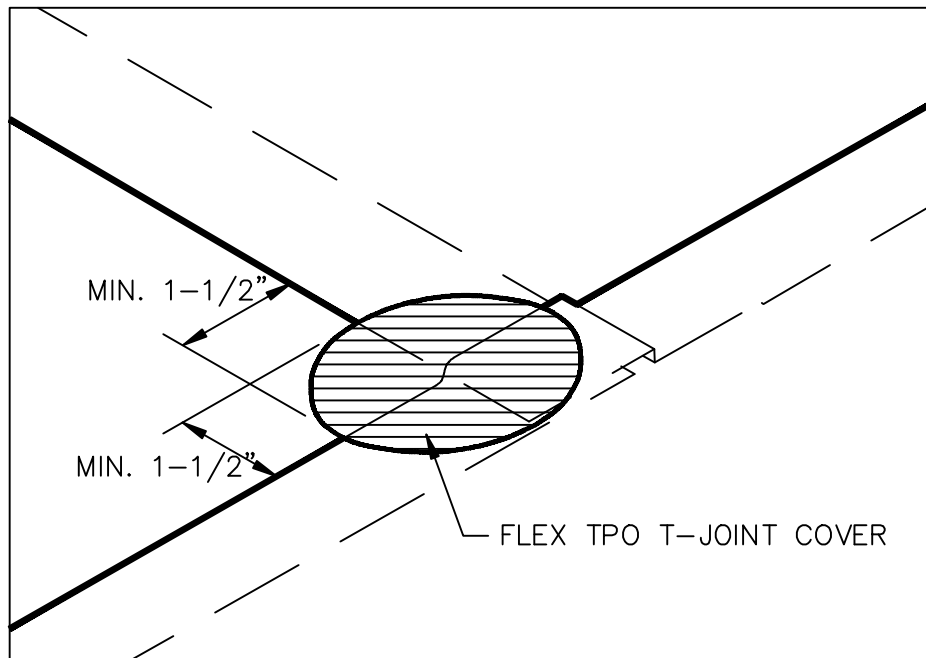


① POSITION SHEETS AND HOT AIR WELD THE FLEX TPO MEMBRANE A MINIMUM OF 1-1/2 (40 mm) INCHES.



② INSTALL A 4.5" DIAMETER FLEX TPO T-JOINT COVER CENTERED OVER THE SPLICE INTERSECTION ("T-JOINT") AS SHOWN.

TITLE	
60 MIL & 80 MIL T-JOINT DETAIL	
NAME	
DETAIL NO. 3.80	
DRAWN BY:	DATE:
SK	6/2017
APPLICABLE TO ALL FLEX	
TPO ADHERED SYSTEMS	
FLEX MEMBRANE INTERNATIONAL	2670 LEISCZ'S BRIDGE RD. LEESPORT, PA 19533 800-969-0108 FlexRoofingSystems.com