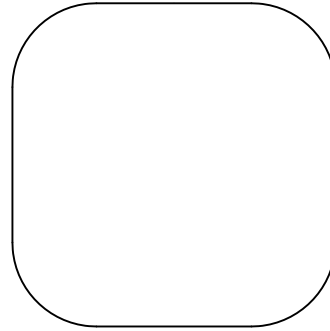


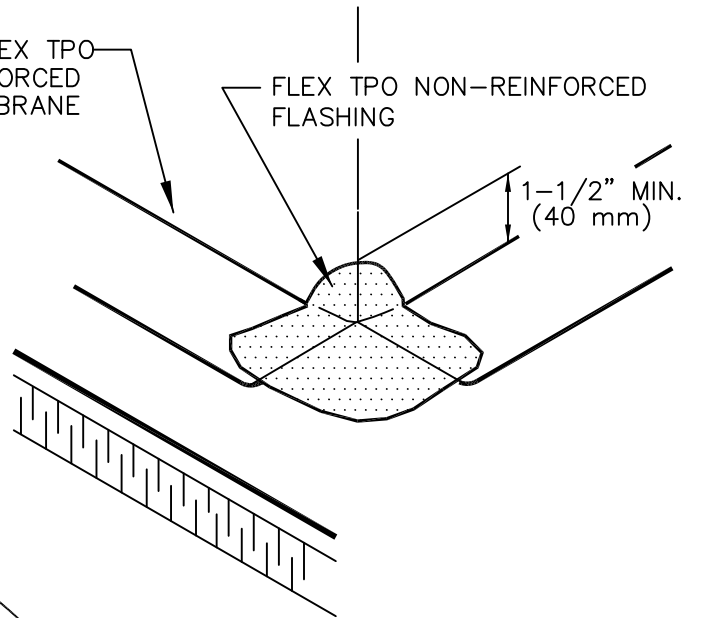
ROUND CORNERS OF
NON-REINFORCED MEMBRANE



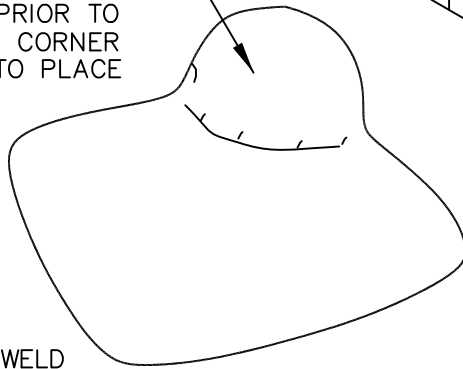
FLEX TPO
REINFORCED
MEMBRANE

FLEX TPO NON-REINFORCED
FLASHING

1-1/2" MIN.
(40 mm)



APPLY HEAT TO FLEX
NON-REINFORCED MEMBRANE
AND FORM BY HAND PRIOR TO
HOT AIR WELDING CORNER
INTO PLACE



POSITION AND HEAT WELD
CORNERS IN PLACE AS SHOWN

TITLE	
FIELD FABRICATED OUTSIDE CORNER	
NAME	
DETAIL NO. 5.30	
DRAWN BY:	DATE:
SK	8/2012
APPLICABLE TO ALL FLEX	
TPO ADHERED SYSTEMS	
FLEX MEMBRANE INTERNATIONAL	2670 LEISCZ'S BRIDGE RD. LEESPORT, PA 19533 800-969-0108 FlexRoofingSystems.com