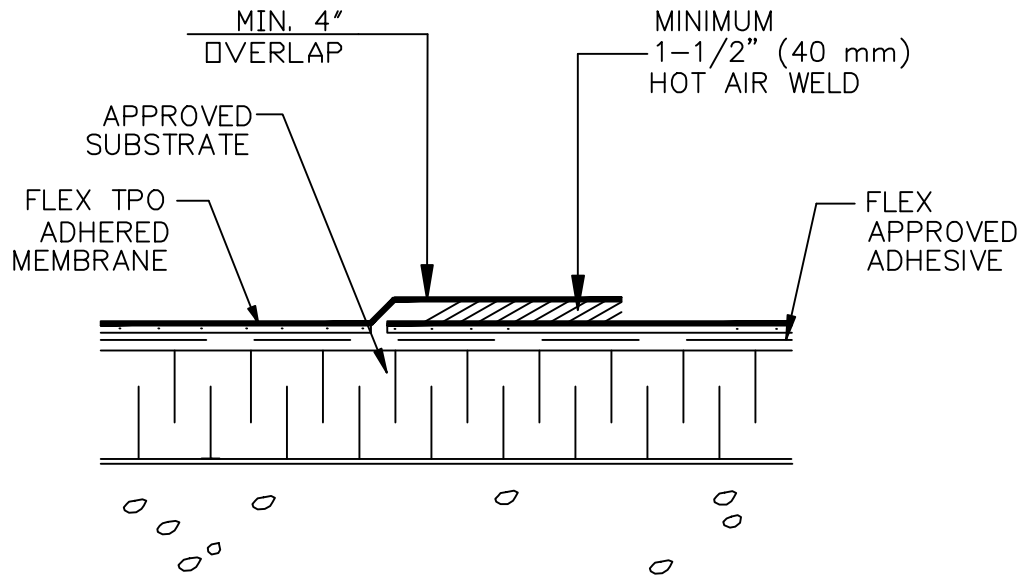


TPO FB BUTT JOINT



END LAP CROSS SECTION

TITLE		MEMBRANE END LAP DETAIL
NAME		DETAIL NO. 3.62
DRAWN BY:	DATE:	
SK	11/2017	
APPLICABLE TO ALL FLEX		
TPO ADHERED SYSTEMS		
FLEX MEMBRANE INTERNATIONAL	2670 LEISCZ'S BRIDGE RD. LEESPORT, PA 19533 800-969-0108 FlexRoofingSystems.com	