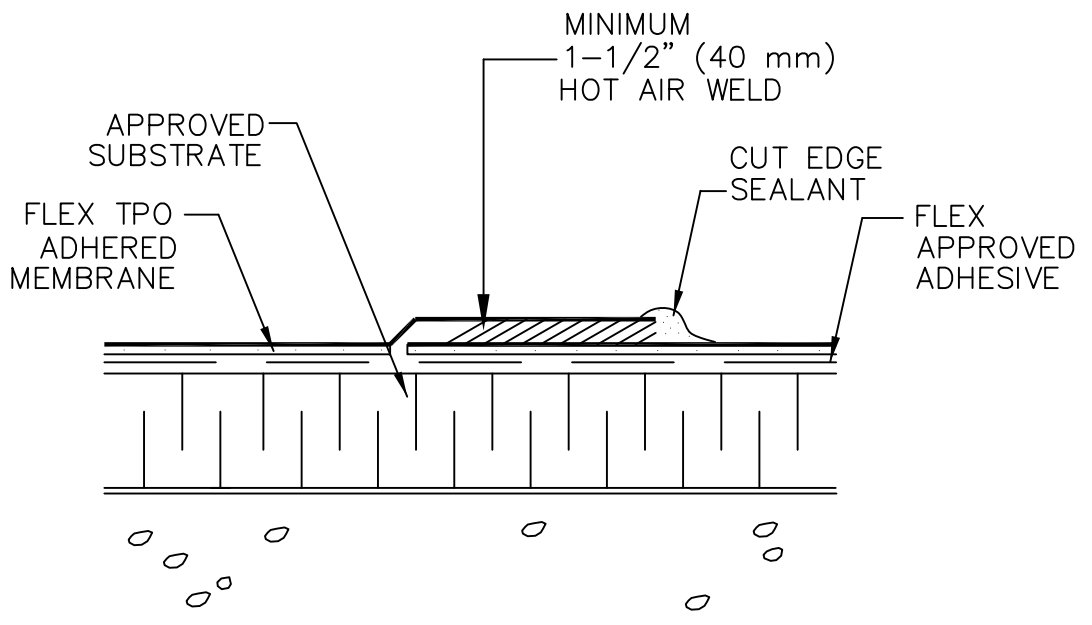


TPO FB END LAP SPLICE



END LAP CROSS SECTION

NOTE:

WHEN USING FLEX TPO FLEECKBACK MEMBRANE, INTERSECTIONS BETWEEN THE FLEX TPO REINFORCED MEMBRANE OVERLAY AND SPLICES MUST BE COVERED WITH A 6" X 6" SECTION OF FLEX TPO REINFORCED FLASHING (HEAT WELDED).

TITLE	
MEMBRANE END LAP DETAIL	
NAME	
DETAIL NO. 2.40	
DRAWN BY:	DATE:
SK	8/2012
APPLICABLE TO ALL FLEX	
TPO ADHERED SYSTEMS	
FLEX MEMBRANE INTERNATIONAL	2670 LEISCZ'S BRIDGE RD. LEESPORT, PA 19533 800-969-0108 FlexRoofingSystems.com