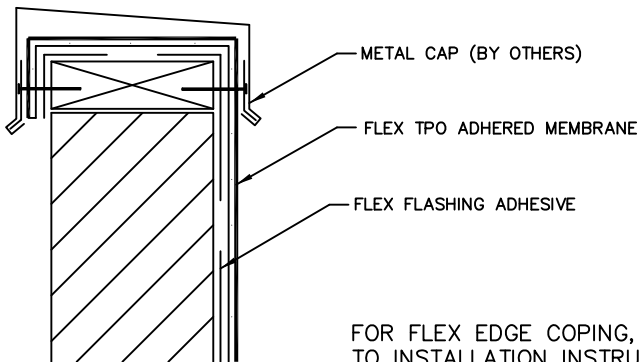


NOTES:

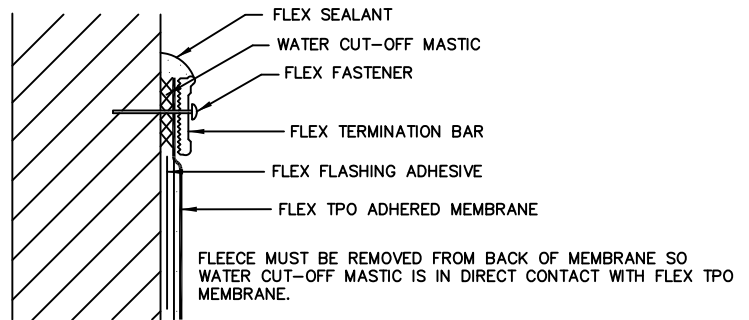
1. WATER CUT-OFF IS TO BE HELD UNDER CONSTANT COMPRESSION.
2. DO NOT WRAP COMPRESSION TERMINATION AROUND CORNERS.
3. ALLOW 1/4" MINIMUM TO 1/2" MAXIMUM (6 TO 13 mm) SPACING BETWEEN CONSECUTIVE LENGTHS OF TERMINATION BAR.

COUNTERFLASHING/TERMINATION BAR



FOR FLEX EDGE COPING, REFER TO INSTALLATION INSTRUCTIONS PUBLISHED SEPARATELY.

METAL CAP FLASHING



NOTES:

1. APPLY ON HARD SMOOTH SURFACE ONLY; NOT FOR USE ON WOOD.
2. WATER CUT-OFF MASTIC MUST BE HELD UNDER CONSTANT COMPRESSION.
3. DO NOT WRAP COMPRESSION TERMINATION AROUND CORNERS.
4. ALLOW 1/4" (6 mm) MINIMUM TO 1/2" (13 mm) MAXIMUM SPACING BETWEEN CONSECUTIVE LENGTHS OF TERMINATION BAR.

TERMINATION BAR

TITLE
VERTICAL FLASHING TERMINATION

NAME
DETAIL NO. 3.80

DRAWN BY: SK DATE: 8/2012

APPLICABLE TO ALL FLEX

TPO ADHERED SYSTEMS

FLEX
MEMBRANE
INTERNATIONAL

2670 LEISCZ'S BRIDGE RD.
LEESPORT, PA 19533
800-969-0108
FlexRoofingSystems.com