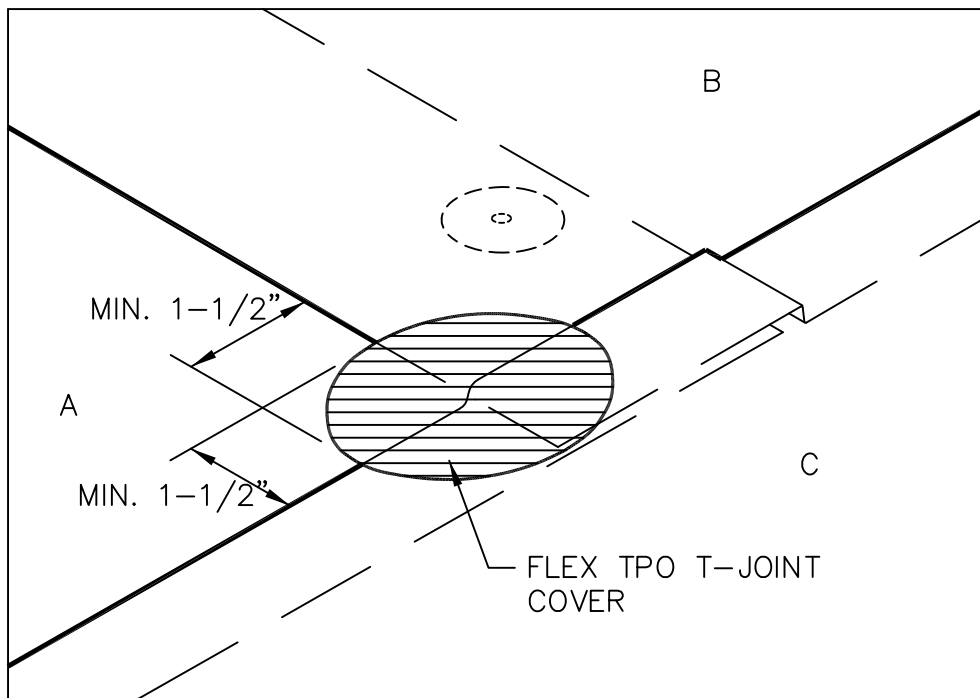


① POSITION SHEETS AND HOT AIR WELD THE .060" (1.5 mm) THICK FLEX TPO MEMBRANE A MINIMUM OF 1-1/2" (40 mm).



② INSTALL A 4.5" DIAMETER FLEX TPO T-JOINT COVER CENTERED OVER THE SPLICE INTERSECTION ("T-JOINT") AS SHOWN.

TITLE 60 MIL & 80 MIL T-JOINT DETAIL	
NAME DETAIL NO. 2.60	
DRAWN BY: SK	DATE: 8/2012
APPLICABLE TO ALL FLEX TPO	
MECHANICALLY FASTENED SYSTEMS	
FLEX MEMBRANE INTERNATIONAL	2670 LEISCZS BRIDGE RD LEESPORT, PA 19533 800-969-0108 FlexRoofingSystems.com