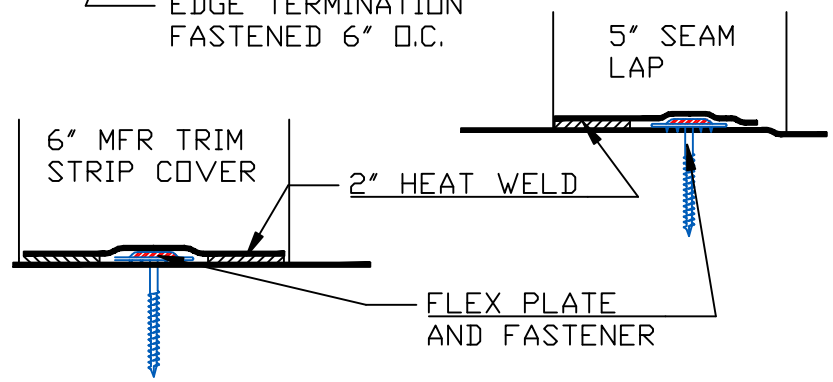


EDGE TERMINATION FASTENED 6" O.C.

REFER TO SPECIFICATIONS FOR FIELD AND PERIMETER FASTENER SPACING AND SHEET WIDTHS



NOTE: DIMENSION OF PERIMETER OF ROOF EQUALS 10% OF ROOF WIDTH OR 40% OF BUILDING HEIGHT, WHICH EVER IS LESS WITH A MIN. OF 6 FT.

FASTENER ASSEMBLY LAYOUT EQUAL OR GREATER THAN FM 1-90	
DETAIL NO. 6.11	
DRAWN BY: SK	DATE: 1/2016
APPLICABLE TO FLEX	
MECHANICALLY FASTENED SYSTEMS	
FLEX MEMBRANE INTERNATIONAL	2670 LEISCZ'S BRIDGE RD. LEESPORT, PA 19533 800-969-0108 FlexRoofingSystems.com