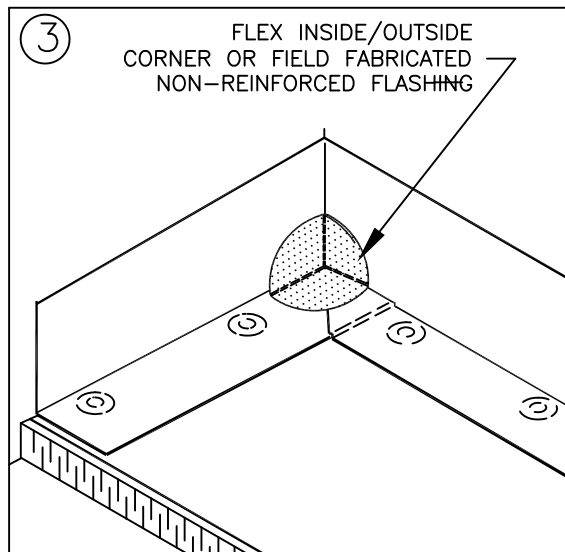


NOTES:

1. BEGIN INSTALLATION OF FASTENING PLATES 6" TO 9" (150 TO 230 mm) FROM THE CORNER.
2. POSITION FASTENING PLATES 1/2" TO 1" (13 mm to 25 mm) FROM EDGE OF MEMBRANE.
3. APPROXIMATELY 1/8" (13 mm) DIAMETER BEAD OF CUT-EDGE SEALANT IS REQUIRED ON ALL NON FACTORY CUT EDGES OF FLEX TPO REINFORCED MEMBRANE.
4. REFER TO SPECIFICATION FOR ACCEPTABLE FLEX FASTENERS AND PLATES.



TITLE	
INSIDE CORNER FLASHING	
NAME	
DETAIL NO. 5.10	
DRAWN BY:	DATE:
SK	8/2012
APPLICABLE TO ALL FLEX TPO	
MECHANICALLY FASTENED SYSTEMS	
FLEX MEMBRANE INTERNATIONAL	2670 LEISCZS BRIDGE RD. LEESPORT, PA 19533 800-969-0108 FlexRoofingSystems.com