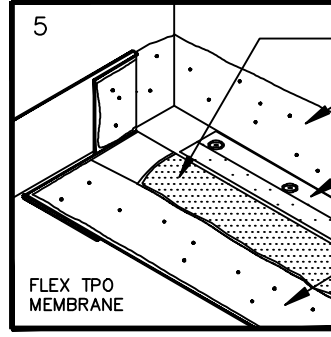


6" WIDE FLEX PRESSURE SENSITIVE RUSS STRIP

FLEX XHD PLATE AND FASTENER, MAX. 12" O.C.

PRE-APPLIED PRESSURE-SENSITIVE TAPE

INSTALL PRESSURE-SENSITIVE RUSS AND FASTEN TO ROOF DECK WITH APPROVED FLEX FASTENERS AND PLATES, MAX. 12" O.C.

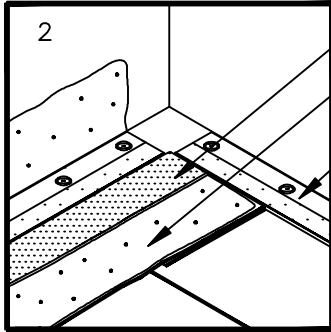


FLEX TPO PRIMER

FLEX TPO ADHESIVE

6" WIDE FLEX PRESSURE SENSITIVE RUSS STRIP

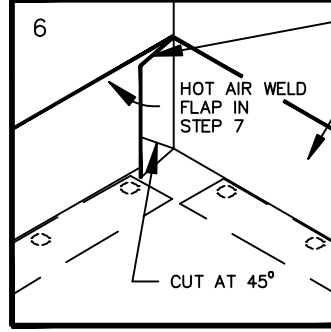
FLEX TPO ADHESIVE



FLEX TPO PRIMER

FLEX TPO ADHESIVE

6" WIDE FLEX PRESSURE SENSITIVE RUSS STRIP

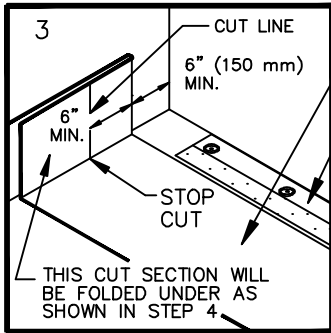


1-1/2" (40 mm) WIDE MIN.

HOT AIR WELD FLAP IN STEP 7

FLEX TPO MEMBRANE

CUT AT 45°



CUT LINE

6" (150 mm) MIN.

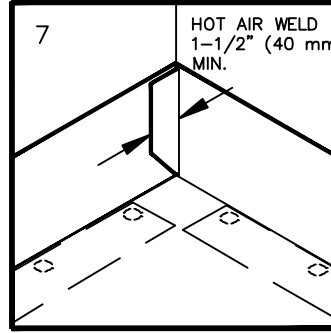
FLEX TPO MEMBRANE

6" WIDE FLEX PRESSURE SENSITIVE RUSS STRIP

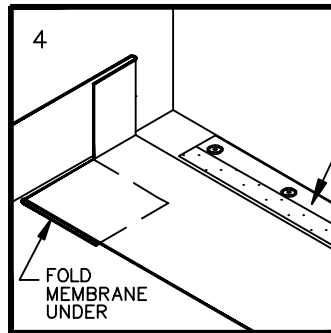
STOP CUT

THIS CUT SECTION WILL BE FOLDED UNDER AS SHOWN IN STEP 4.

THE CUT SECTION OF VERTICAL MEMBRANE WILL BE FOLDED UNDER THE FIELD MEMBRANE AS SHOWN IN STEP 4.

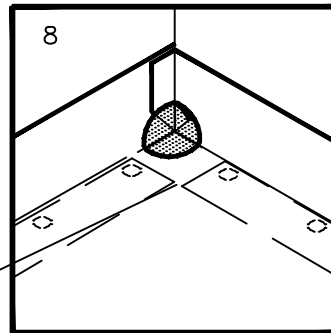


HOT AIR WELD 1-1/2" (40 mm) MIN.



6" WIDE FLEX PRESSURE SENSITIVE RUSS STRIP

FOLD MEMBRANE UNDER



APPLY FLEX INSIDE CORNER IN ACCORDANCE WITH FLEX REQUIREMENTS

APPLY CUT-EDGE SEALANT TO NON FACTORY CUT EDGES OF FLEX TPO MEMBRANE.

TITLE		INSIDE CORNER - PS RUSS	
NAME		DETAIL NO. 5.70	
DRAWN BY:	SK	DATE:	2/2018
APPLICABLE TO ALL FLEX TPO			
MECHANICALLY ATTACHED SYSTEMS			
FLEX MEMBRANE INTERNATIONAL		2670 LEISCZS BRIDGE RD LEESPORT, PA 19533 800-969-0108 FlexRoofingSystems.com	