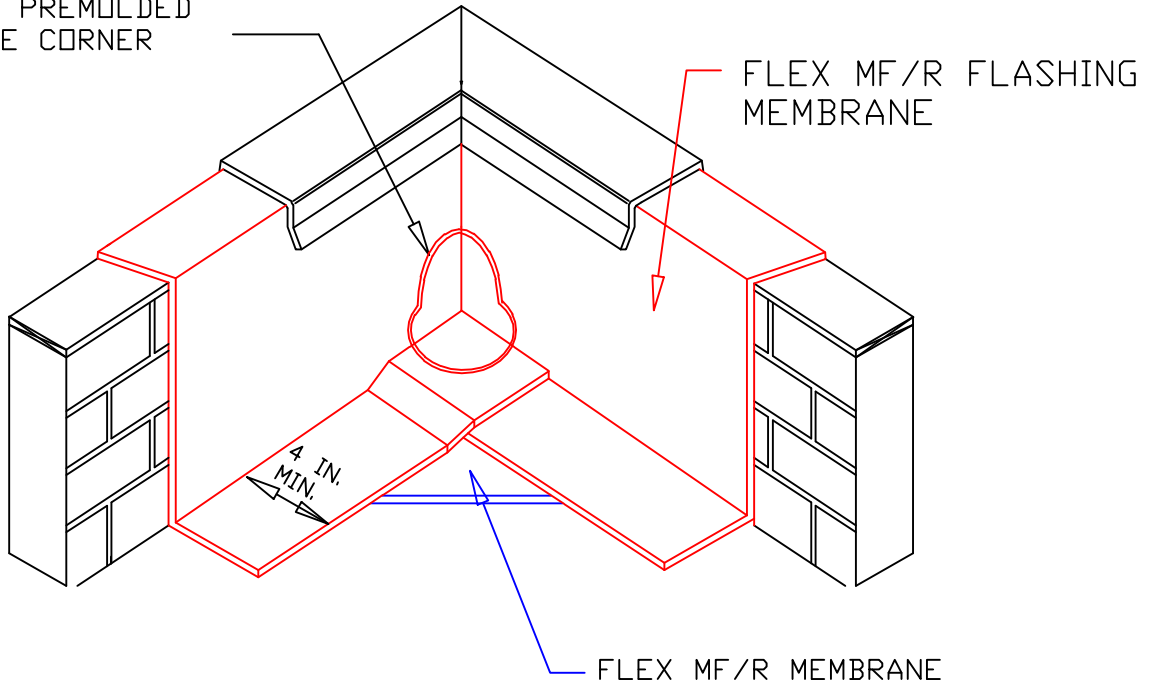
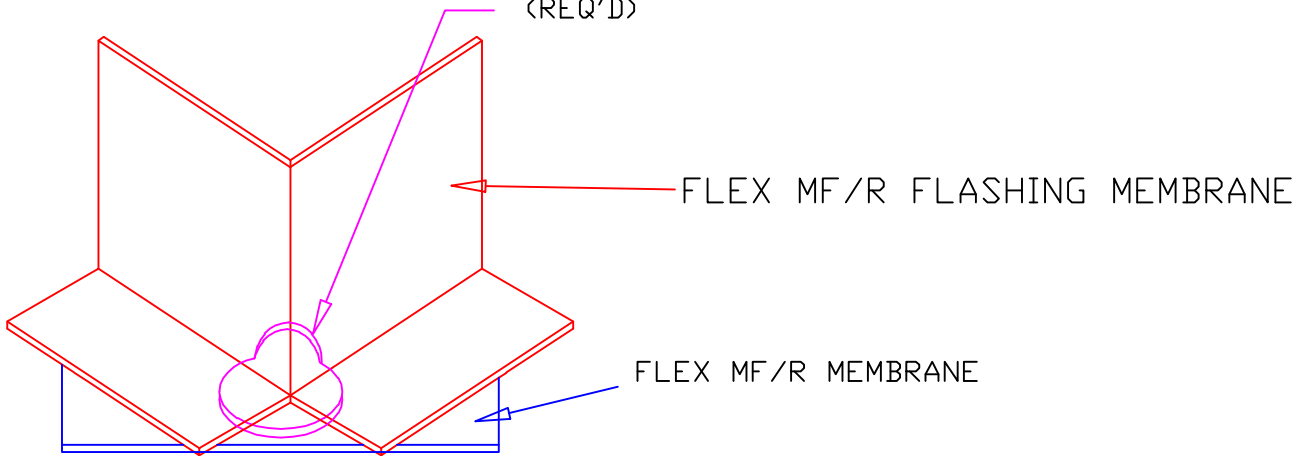


HEAT WELD PREMOLDED
FLEX INSIDE CORNER
(REQ'D)



HEAT WELD PREMOLDED OUTSIDE CORNER
(REQ'D)



NOTES:

1) FLEX OFFERS PREFORMED INSIDE AND OUTSIDE CORNERS FOR PVC AND ELVALOY. FLEX OFFERS A UNIVERSAL CORNER FOR TPO THAT CAN BE USED FOR AN INSIDE OR OUTSIDE CORNER.

2) FLEX TPO: FLEX TPO CUT EDGE SEALANT IS REQUIRED ON ALL NON FACTORY CUT EDGES OF FLEX TPO

TITLE	INSIDE/OUTSIDE CORNER	
NAME	DETAIL NO. 3.20	
DRAWN BY:	SK	DATE: 1/2018
APPLICABLE TO ALL FLEX		
MECHANICALLY ATTACHED SYSTEMS		
FLEX MEMBRANE INTERNATIONAL	2670 LEISCZ'S BRIDGE RD. LEESPORT, PA 19533 800-969-0108 FlexRoofingSystems.com	