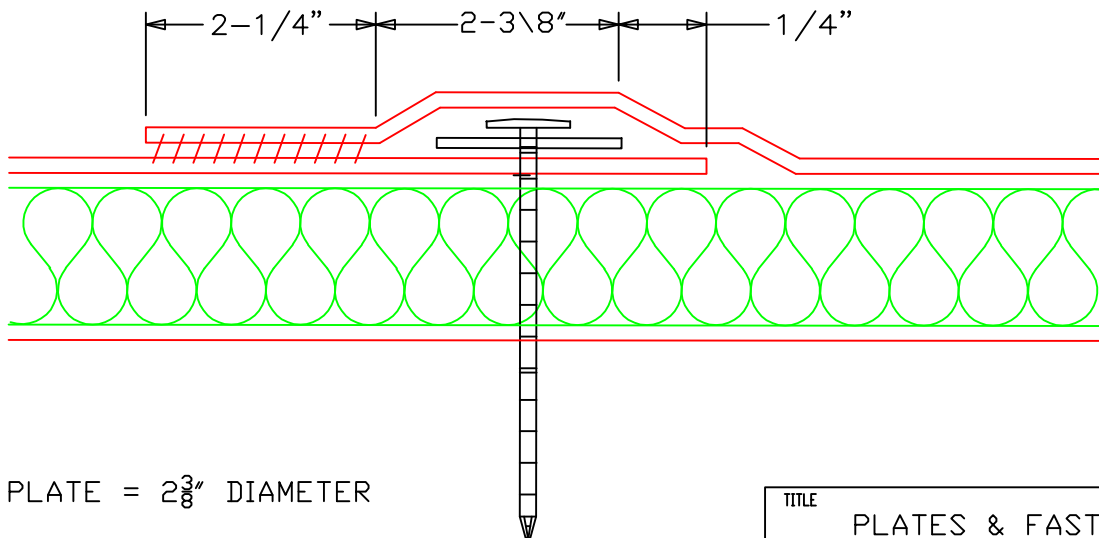


PLANE VIEW



XHD PLATE = 2<sup>3</sup>/<sub>8</sub>" DIAMETER

SXHD PLATE = 2<sup>3</sup>/<sub>4</sub>" DIAMETER

NOTE:  
 FLEX TPO: FLEX TPO CUT EDGE SEALANT IS  
 REQUIRED ON ALL NON FACTORY CUT EDGES  
 OF FLEX TPO

TITLE		PLATES & FASTENERS	
NAME		DETAIL NO. 6.30	
DRAWN BY:		DATE:	
SK		2/2018	
APPLICABLE TO ALL FLEX			
MECHANICALLY ATTACHED SYSTEMS			
FLEX MEMBRANE INTERNATIONAL		2670 LEISCZ'S BRIDGE RD. LEESPORT, PA 19533 800-969-0108 FlexRoofingSystems.com	