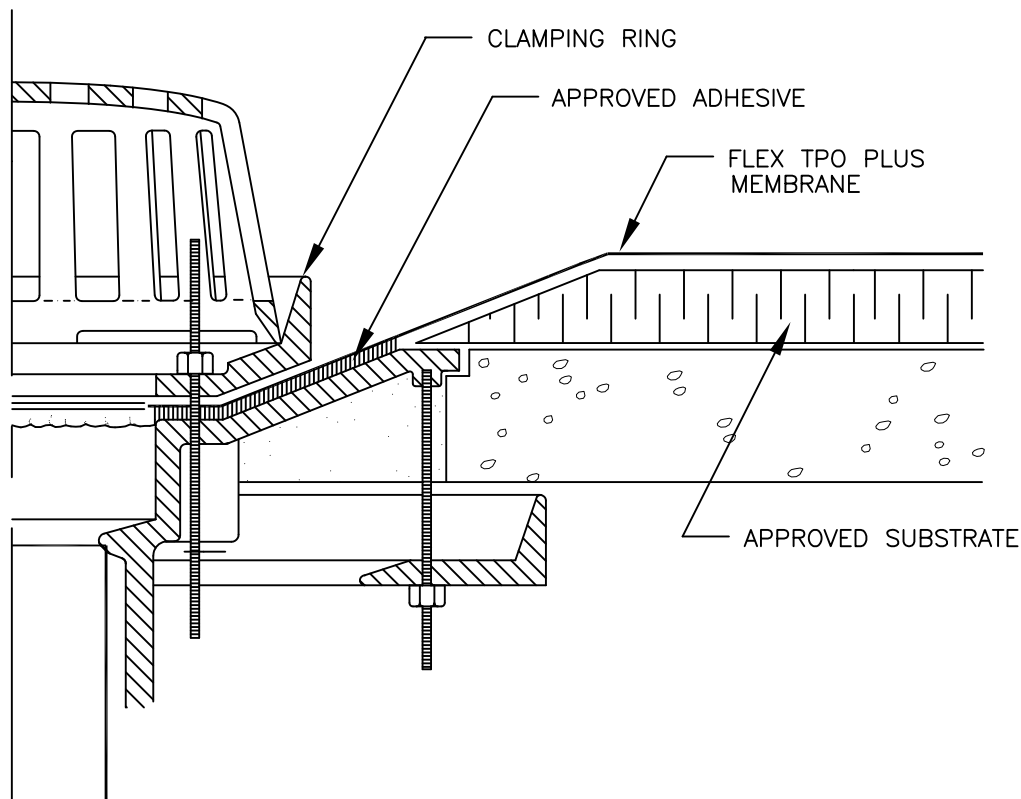
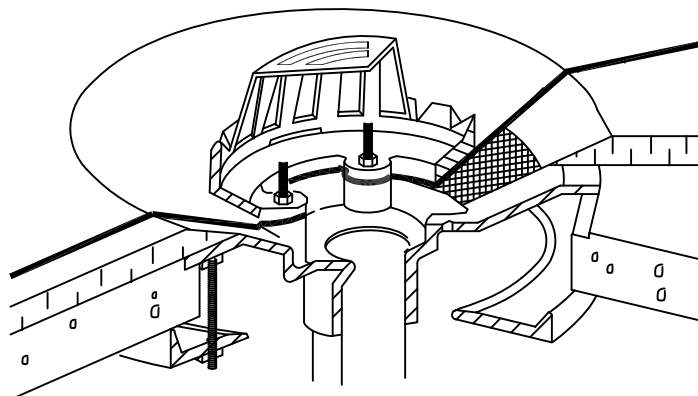


FOR DRAINS WITH TAPERED  
INSULATION AT DRAIN SUMP  
LESS THAN 3 INCHES TO 1  
HORIZONTAL FOOT  
(75 mm/300 mm)



NOTES:

1. REMOVE ALL LEAD AND OTHER FLASHING.
2. ALL BOLTS AND CLAMPS MUST BE IN PLACE TO PROVIDE CONSTANT COMPRESSION ON WATER CUT-OFF MASTIC.
3. CUT THE MEMBRANE SO IT EXTENDS A MINIMUM OF 1/2" (13 mm) FROM THE ATTACHMENT POINTS OF THE DRAIN CLAMPING RING.
4. FOR DRAIN SUMPS WITH SLOPES GREATER THAN 3" (75 mm) IN 12" (300 mm) REFER TO DETAIL TPO 4.02.
5. IT IS PREFERRED TO LOCATE SPLICES AT LEAST 6" (150 mm) OUTSIDE DRAIN SUMP. IF SPLICES EXTEND UNDER CLAMPING RING, ENTIRE SPLICE OVERLAP MUST BE HOT AIR WELDED.

TITLE	
ROOF DRAIN	
NAME	
DETAIL NO. 4.10	
DRAWN BY:	DATE:
SK	8/2012
APPLICABLE TO ALL FLEX TPO	
MECHANICALLY FASTENED SYSTEMS	
FLEX MEMBRANE INTERNATIONAL	2670 LEISCZS BRIDGE RD. LEESPORT, PA 19533 800-969-0108 FlexRoofingSystems.com