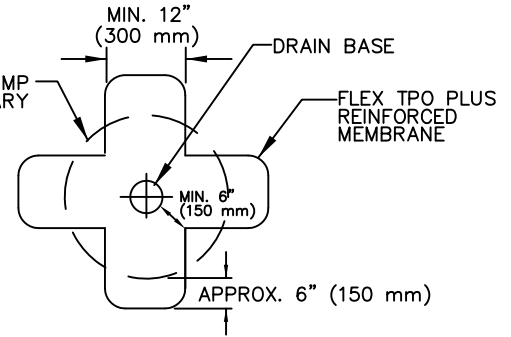
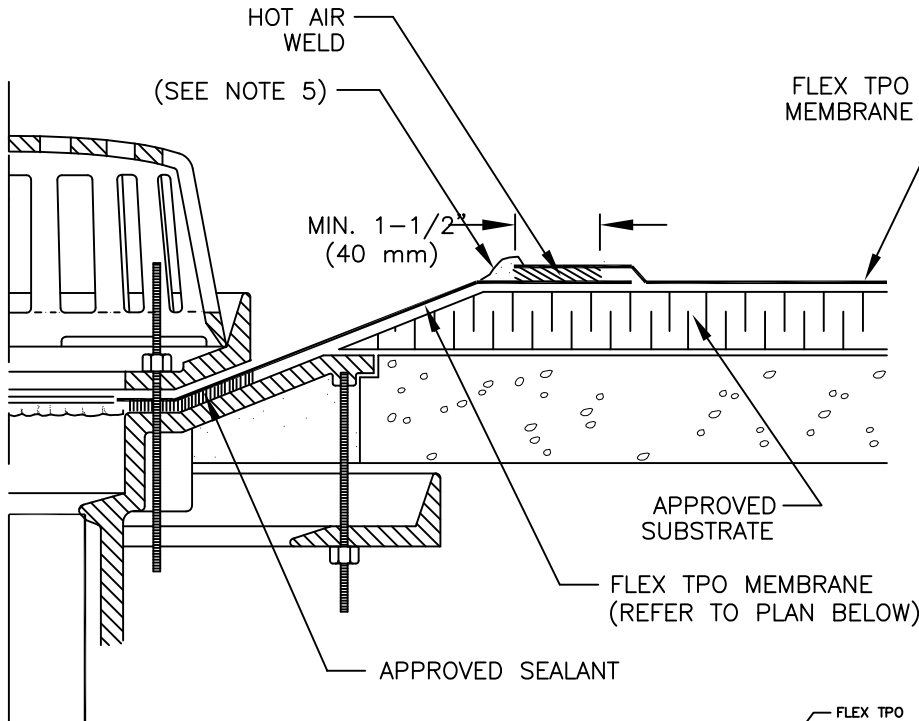
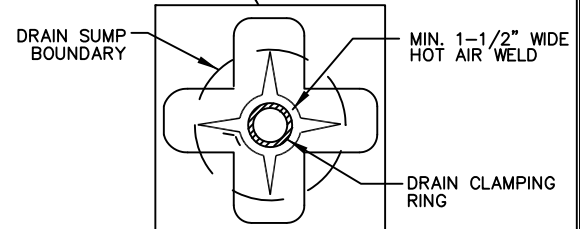
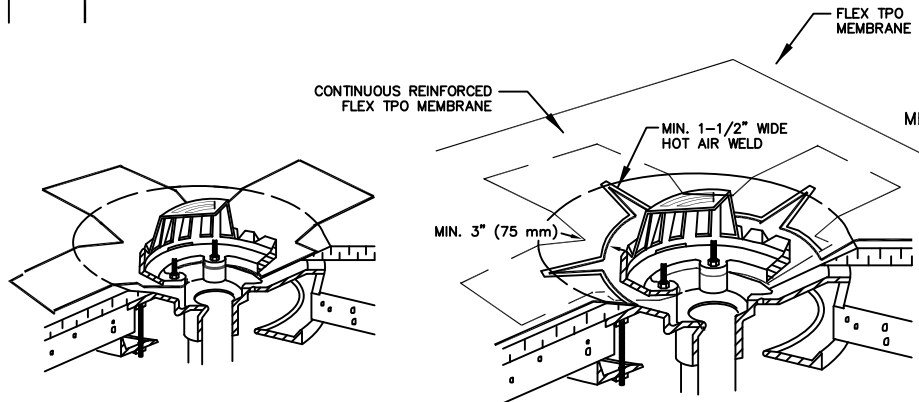


FOR DRAINS WITH TAPERED INSULATION AT DRAIN SUMP  
GREATER THAN 3" TO 1 HORIZONTAL FOOT (75 mm/300 mm)



CUT SECTION OF FLEX TPO ADHERED MEMBRANE AS SHOWN AND POSITION INTO DRAIN SUMP. EXTEND MEMBRANE OUT OF DRAIN SUMP APPROX. 6" (ROUND CORNERS).



EXTEND 6' x 6' FLEX TPO PLUS REINFORCED MEMBRANE ONTO MEMBRANE SECTION POSITIONED AT DRAIN SUMP AND CUT AS SHOWN TO LAY FLAT IN SUMP. HOT-AIR WELD A MINIMUM OF 1-1/2" (40 mm) COMPLETELY SURROUNDING CUT AREA. HOT-AIR WELD OUTER PERIMETER OF FLEX TPO REINFORCED MEMBRANE TO INSTALLED FLEX TPO ADHERED MEMBRANE.

NOTES:

1. EXTEND THE REINFORCED MEMBRANE APPROXIMATELY 5-1/2" (140 mm) OUT OF THE SUMP AREA.
2. REMOVE ALL LEAD AND OTHER FLASHING.
3. ALL BOLTS OR CLAMPS MUST BE IN PLACE TO PROVIDE COMPRESSION ON WATER CUT-OFF MASTIC.
4. CUT THE MEMBRANE SO IT EXTENDS A MINIMUM OF 1/2" (13 mm) FROM THE ATTACHMENT POINTS OF THE DRAIN CLAMPING RING.
5. APPROXIMATELY 1/8" (3 mm) DIAMETER BEAD OF CUT-EDGE SEALANT IS REQUIRED ON ALL NON FACTORY CUT EDGE OF FLEX TPO PLUS MEMBRANE.

TITLE	
ROOF DRAIN II	
NAME	
DETAIL NO. 4.20	
DRAWN BY:	DATE:
SK	8/2012
APPLICABLE TO ALL FLEX TPO	
MECHANICALLY FASTENED SYSTEMS	
FLEX MEMBRANE INTERNATIONAL	2670 LEISCZS BRIDGE RD. LEESPORT, PA 19533 800-969-0108 FlexRoofingSystems.com