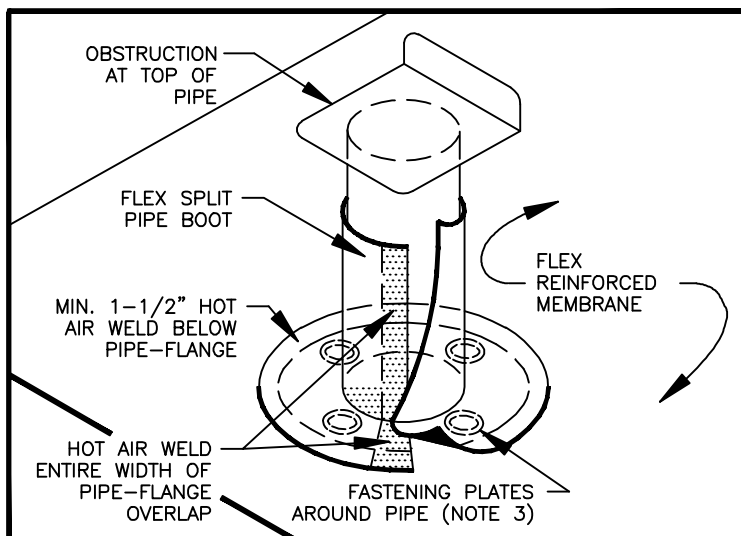


NOTES:

- 1) REMOVE ALL LEAD AND OTHER FLASHING.
- 2) TEMPERATURE OF PIPE MUST NOT EXCEED 120F (49C.)
- 3) INSTALL 4 FASTENERS AND PLATES AROUND PIPE EQUALLY SPACED. FASTENERS MAY ALSO BE POSITIONED MAXIMUM 12" FROM PIPE. FASTENED 12" ON CENTER AND FLASHED WITH FLEX REINFORCED MEMBRANE. FASTENERS/PLATES ARE REQUIRED
- 4) IF PLATES CANNOT BE INSTALLED AS SHOWN, THEY CAN BE POSITIONED OUTSIDE THE PIPE FLASHING FLANGE.
- 5) PIPE FLASHING DECK FLANGE MUST BE HOT AIR WELDED A MINIMUM OF 1-1/2" BEYOND FASTENING PLATES.
- 6) FLEX TPO: FLEX TPO CUT EDGE SEALANT IS REQUIRED ON ALL NON FACTORY CUT EDGES OF FLEX TPO



TITLE	SPLIT PIPE BOOT	
NAME	DETAIL NO. 4.70	
DRAWN BY:	SK	DATE: 2/2018
APPLICABLE TO ALL FLEX		
MECHANICALLY ATTACHED SYSTEMS		
FLEX MEMBRANE INTERNATIONAL	2670 LEISCZ'S BRIDGE RD. LEESPORT, PA 19533 800-969-0108 FlexRoofingSystems.com	