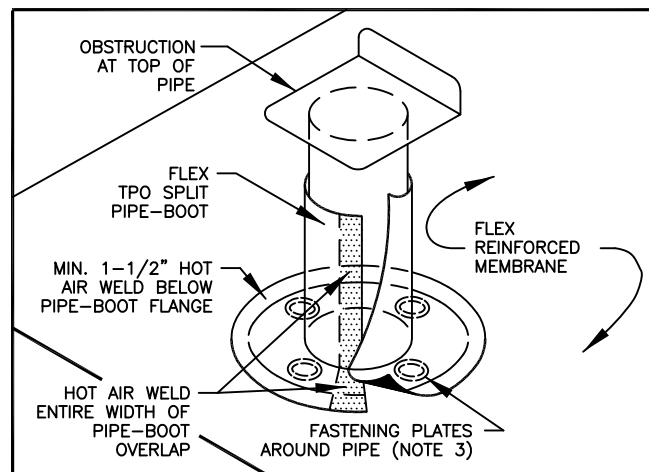


NOTES:

1. REMOVE ALL LEAD AND OTHER FLASHING.
2. TEMPERATURE OF PIPE MUST NOT EXCEED 120° F (49° C).
3. INSTALL 4 FASTENERS AND PLATES AROUND PIPE EQUALLY SPACED. FASTENERS MAY ALSO BE POSITIONED MAXIMUM 12" (300 mm) FROM PIPE, FASTENED 12" ON CENTER AND FLASHED WITH FLEX TPO REINFORCED MEMBRANE.

FASTENERS/PLATES ARE NOT REQUIRED ON ADHERED SYSTEMS UNLESS PIPE DIAMETER EXCEEDS 18" (500 mm).

4. IF PLATES CANNOT BE INSTALLED AS SHOWN THEY CAN BE POSITIONED OUTSIDE THE PIPE FLASHING FLANGE
5. PIPE FLASHING DECK FLANGE MUST BE HOT AIR WELDED A MINIMUM OF 1-1/2" (40 mm) BEYOND FASTENING PLATES.



TITLE	
FLEX TPO SPLIT PIPE BOOT	
NAME	
DETAIL NO. 4.60	
DRAWN BY:	DATE:
SK	8/2012
APPLICABLE TO ALL FLEX TPO	
MECHANICALLY FASTENED SYSTEMS	
FLEX MEMBRANE INTERNATIONAL	2670 LEISCZS BRIDGE RD. LEESPORT, PA 19533 800-969-0108 FlexRoofingSystems.com