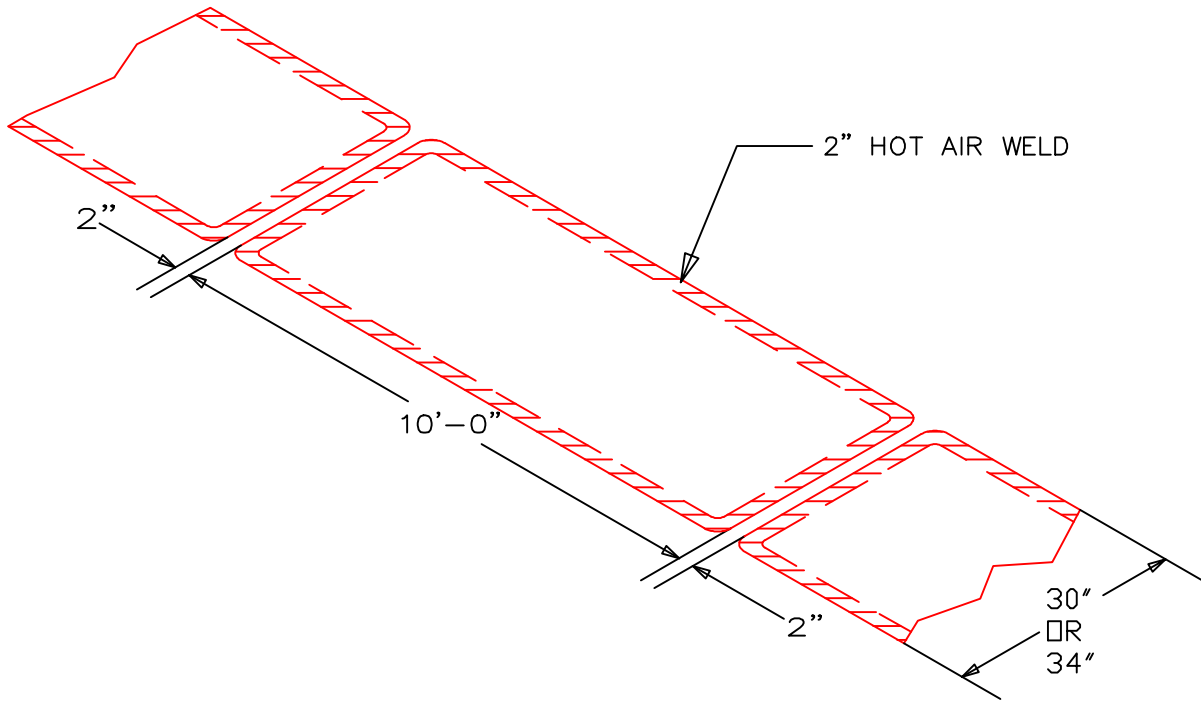


FLEX WALKWAY PAD - PVC 30"X60' ROLL / TPO 34"X50' ROLL

FLEX WALKWAY MATERIAL NOT TO BE INSTALLED IN CONTINUOUS SECTIONS EXCEEDING 10' IN LENGTH. ADHERE WALKWAY TO FIELD MEMBRANE WITH FLEX BONDING ADHESIVE. LEAVE 2" OF WALKWAY PERIMETER FREE OF ADHESIVE. HOT AIR WELD THE 2" EDGE TO THE FLEX FIELD MEMBRANE.



TITLE		WALKWAY PAD	
NAME		DETAIL NO. 5.40	
DRAWN BY:		DATE:	
SK		2/2018	
APPLICABLE TO ALL FLEX			
MECHANICALLY ATTACHED SYSTEMS			
FLEX MEMBRANE INTERNATIONAL		2670 LEISCZ'S BRIDGE RD. LEESPORT, PA 19533 800-969-0108 FlexRoofingSystems.com	