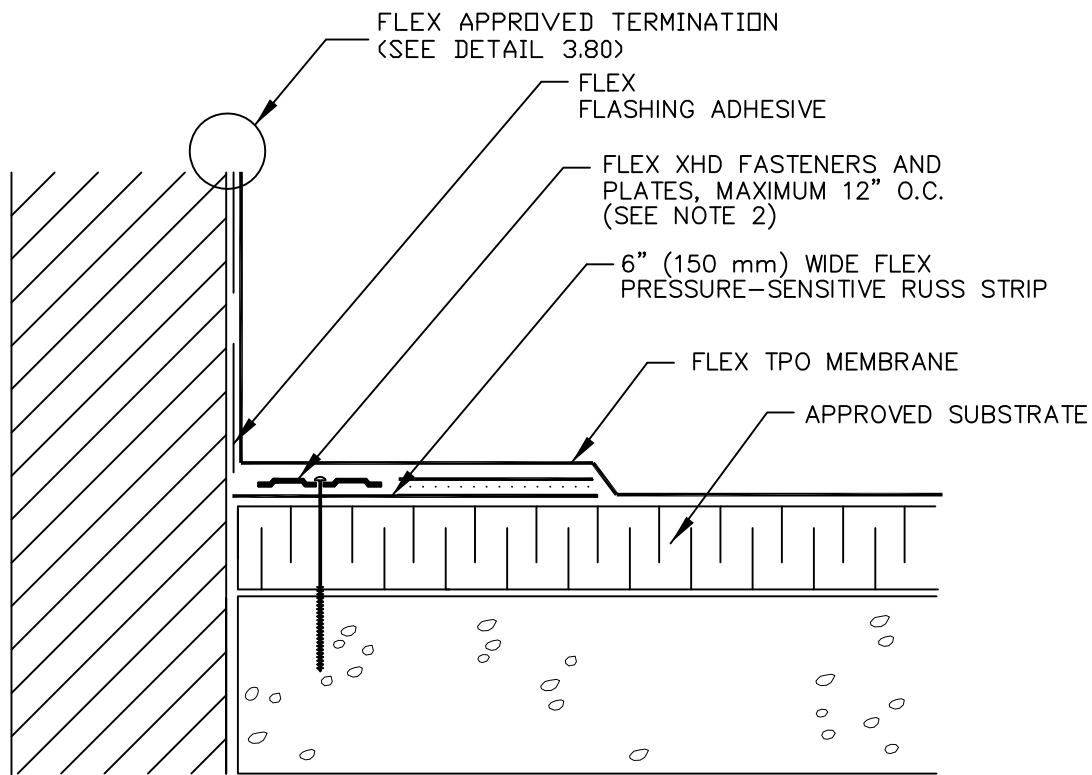


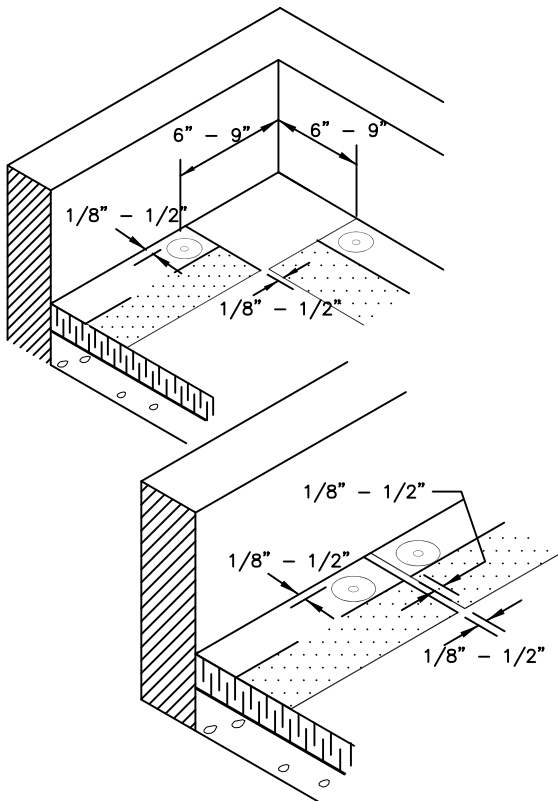
CREASE MEMBRANE AT ANGLE CHANGE TO
LIMIT BRIDGING TO 3/4" (19 mm) MAXIMUM



FLEX TPO PRIMER MUST BE APPLIED TO BACK SIDE OF MEMBRANE
PRIOR TO ADHERING MEMBRANE TO PRESSURE-SENSITIVE RUSS

NOTES:

1. FOR CORNER APPLICATION, SEE DETAIL 5.07.
2. ON MECHANICALLY FASTENED SYSTEMS, XHD FASTENERS AND PLATES ARE REQUIRED.
3. WHEN COUNTER-FLASHING IS USED FOR TERMINATION, FLASHING ADHESIVE IS NOT REQUIRED WHEN FLASHING HEIGHT IS 12" (300 mm) OR LESS. WHEN COPING OR TERMINATION BAR IS USED, ADHESIVE MAY BE ELIMINATED WHEN FLASHING HEIGHT IS 18" (500 mm) OR LESS.



TITLE	
WALL FLASHING - PS RUSS STRIP	
NAME	
DETAIL NO. 5.60	
DRAWN BY:	DATE:
SK	8/2012
APPLICABLE TO ALL FLEX TPO	
MECHANICALLY FASTENED SYSTEMS	
FLEX MEMBRANE INTERNATIONAL	2670 LEISCZS BRIDGE RD. LEESPORT, PA 19533 800-969-0108 FlexRoofingSystems.com