

FLEX 8" TRIM
STRIP HOT AIR
WELDED
HALF ON THE
CLAD METAL AND
HALF ON THE
FIELD MEMBRANE

FLEX MFAR PERIMETER
MEMBRANE

FLEXCLAD METAL

3 IN.
(MIN)
Face

NAIL METAL
6 IN O.C.

APPROVED
SUBSTRATE

3" (MIN)

1 IN. (MIN)

30-45 DEGREES

CAP NAIL
6 IN O.C.

EXTEND MEMBRANE MIN 1" PAST
JOINT BETWEEN WOOD NAILER AND
DECK.

DECK

NAILER

NOTE:
WHEN SELVEDGE EDGE OCCURS ON FASCIA SIDE OF
NAILER, NAIL THROUGH THE FLEECE BACK OF THE
MEMBRANE ONLY.

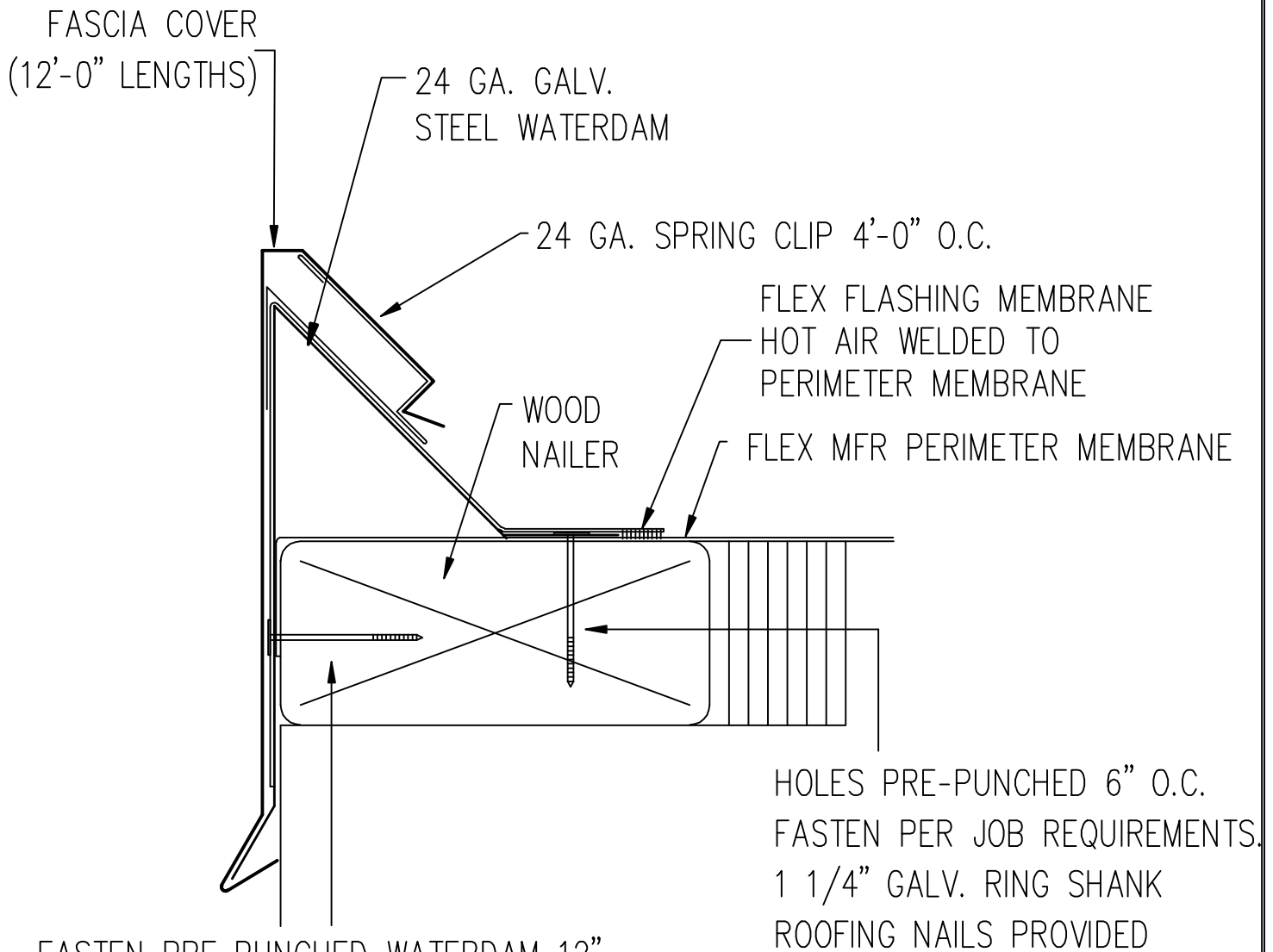
EXPOSED FACE DIMENSION GREATER THAN 3" REQUIRES
A CONTINUOUS CLEAT SAME GAUGE AS FACE METAL.

- CONTINUOUS CLEAT NOT SHOWN FOR CLARITY.

FLEX CLAD METAL IS CUT FROM FULL SIZE SHEETS
AND FORMED BY CONTRACTOR TO ANY OF THE SMACNA
APPROVED PERIMETER METAL PROFILES USED IN LOW
SLOPE ROOF INSTALLATIONS.

FLEX TPO: FLEX TPO CUT EDGE SEALANT IS
REQUIRED ON ALL NON FACTORY CUT EDGES OF FLEX
TPO

| | |
|--|--|
| TITLE FLEXCLAD PERIMETER EDGE METAL | |
| NAME: DETAIL NO. 1.10 | |
| DRAWN BY: SK | DATE: 8/2019 |
| APPLICABLE TO ALL FLEX | |
| MECHANICALLY ATTACHED SYSTEMS | |
| FLEX MEMBRANE INTERNATIONAL | 2670 LEISCZ'S BRIDGE RD. LEESPORT, PA 19533 800-969-0108 FlexRoofingSystems.com |

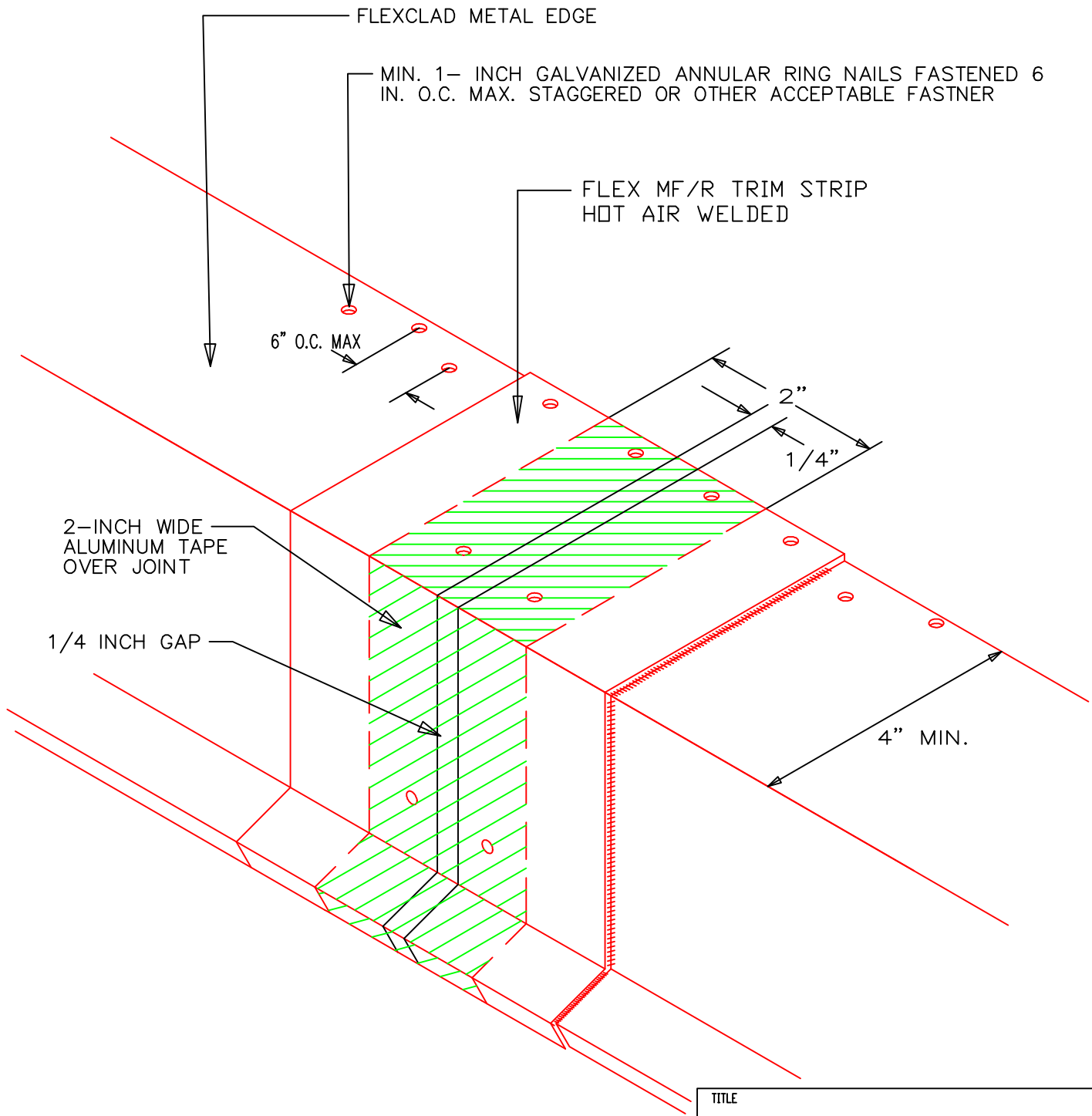


FASTEN PRE-PUNCHED WATERDAM 12" O.C. WITH 1 1/4" GALV. RING SHANK ROOFING NAILS. (PROVIDED)

HOLES PRE-PUNCHED 6" O.C. FASTEN PER JOB REQUIREMENTS. 1 1/4" GALV. RING SHANK ROOFING NAILS PROVIDED

NOTE:
FLEX TPO CUT EDGE SEALANT IS REQUIRED ON ALL NON FACTORY CUT EDGES OF FLEX TPO

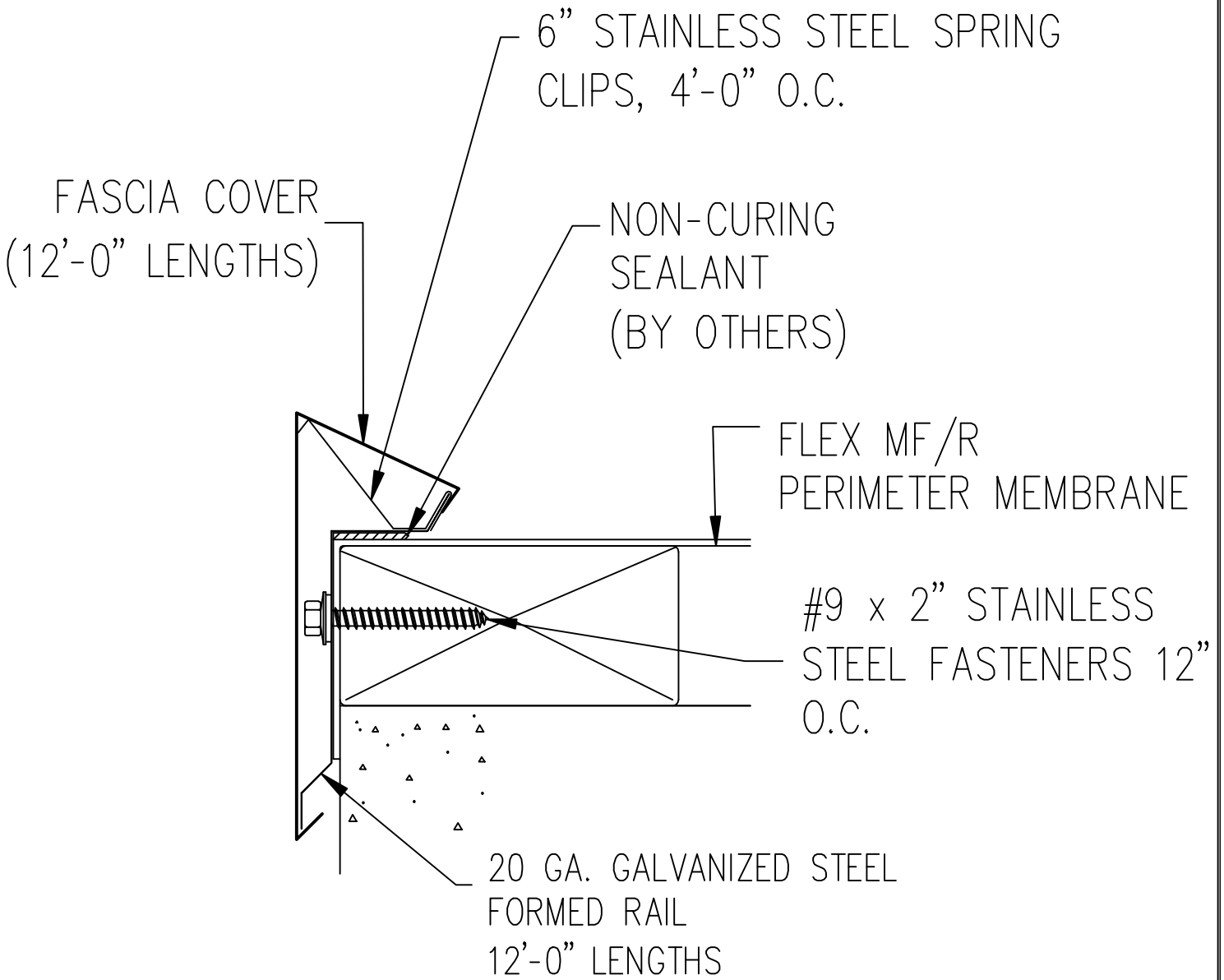
| | | |
|-----------------------------------|--|-----------------|
| TITLE | FLEX LOCK FLS EDGE DETAIL | |
| NAME | DETAIL NO. 1.20 | |
| DRAWN BY: | SK | DATE: 1/2018 |
| APPLICABLE TO ALL FLEX | | |
| MECHANICALLY FASTENED SYSTEMS | | |
| FLEX MEMBRANE INTERNATIONAL | 2670 LEISCZ'S BRIDGE RD. LEESPORT, PA 19533 800-969-0108 FlexRoofingSystems.com | |



NOTES:
 FLEXCLAD METAL IS INSTALLED OVER THE FLEX FIELD MEMBRANE. THEN FLEX TRIM STRIP IS INSTALLED OVER THE FLEXCLAD METAL FLANGE AND FLEX FIELD MEMBRANE WITH 2" HEAT WELDS ON BOTH SIDES.

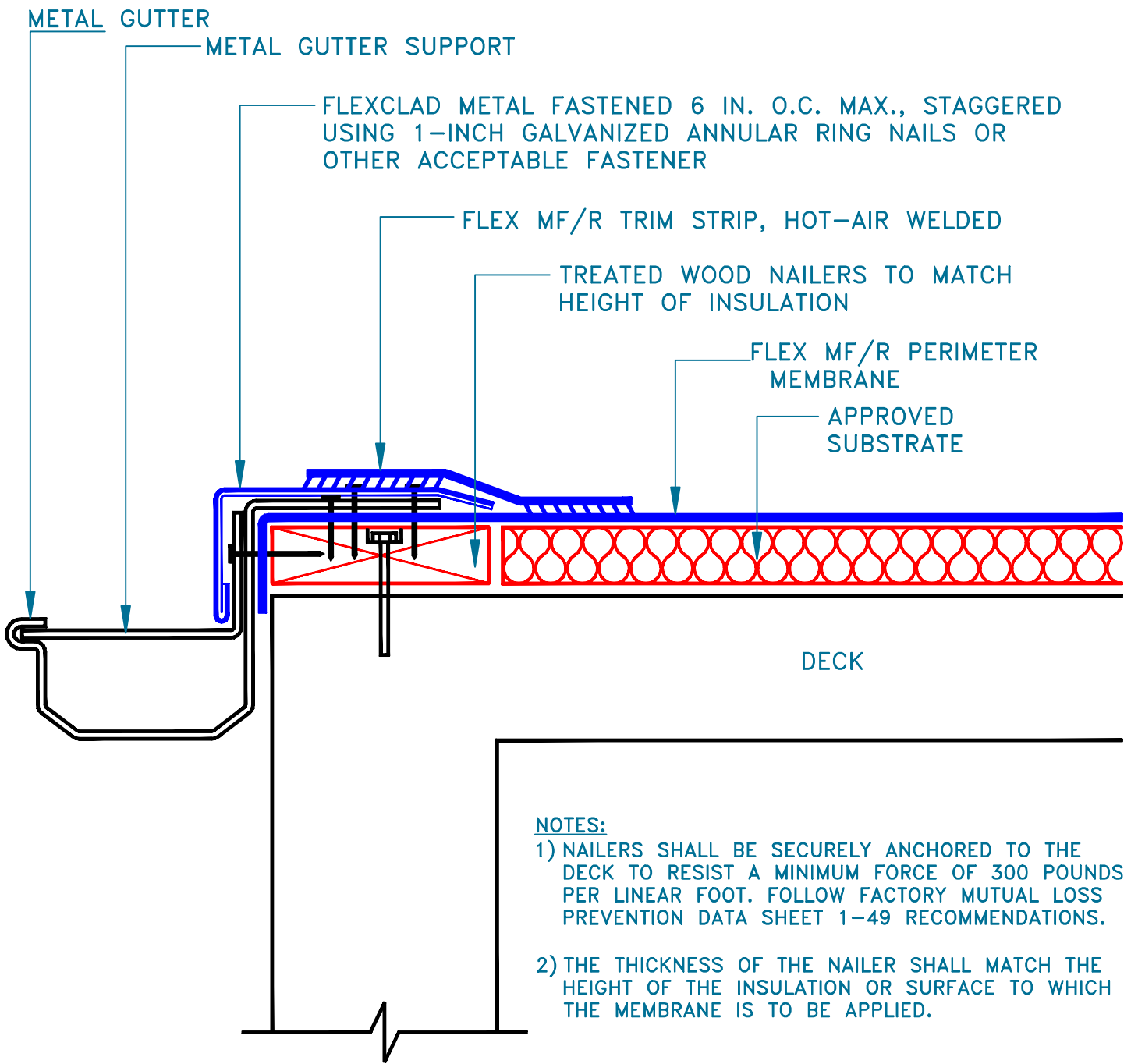
FLEX TPO: FLEX TPO CUT EDGE SEALANT IS REQUIRED ON ALL NON FACTORY CUT EDGES OF FLEX TPO

| | |
|-------------------------------|--|
| TITLE | |
| FLEXCLAD METAL JOINT FLASHING | |
| NAME | |
| DETAIL NO. 1.30 | |
| DRAWN BY: | DATE: |
| SK | 1/2018 |
| APPLICABLE TO ALL FLEX | |
| MECHANICALLY ATTACHED SYSTEMS | |
| FLEX MEMBRANE INTERNATIONAL | 2670 LEISCZ'S BRIDGE RD. LEESPORT, PA 19533 800-969-0108 FlexRoofingSystems.com |



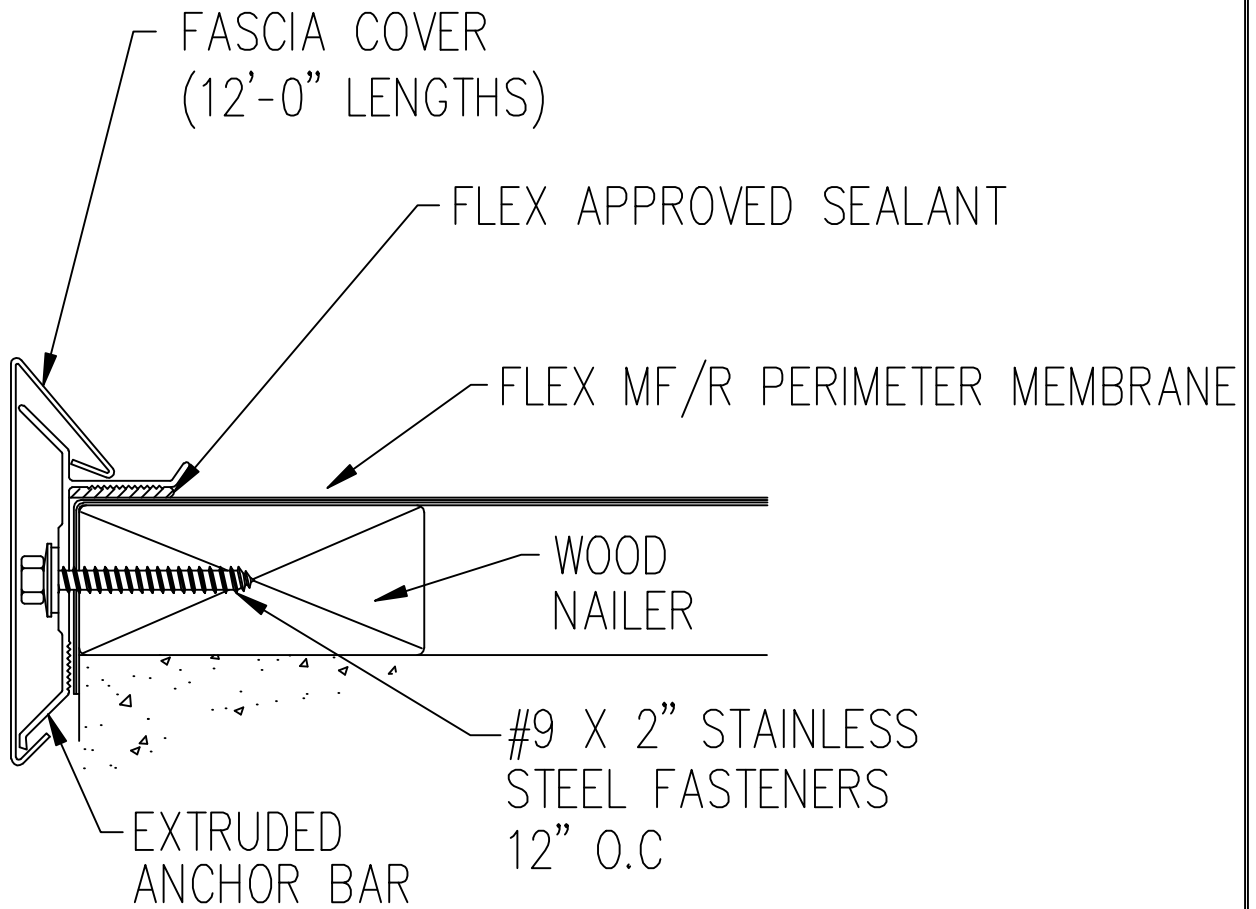
FLEX TPO: FLEX TPO CUT EDGE SEALANT IS REQUIRED ON ALL NON FACTORY CUT EDGES OF FLEX TPO

| | | |
|-------------------------------|--|--------------|
| TITLE | FLEX LOCK FLT METAL EDGE | |
| NAME | DETAIL NO. 1.40 | |
| DRAWN BY: | SK | DATE: 1/2018 |
| APPLICABLE TO ALL FLEX | | |
| MECHANICALLY ATTACHED SYSTEMS | | |
| FLEX MEMBRANE INTERNATIONAL | 2670 LEISCZ'S BRIDGE RD. LEESPORT, PA 19533 800-969-0108 FlexRoofingSystems.com | |



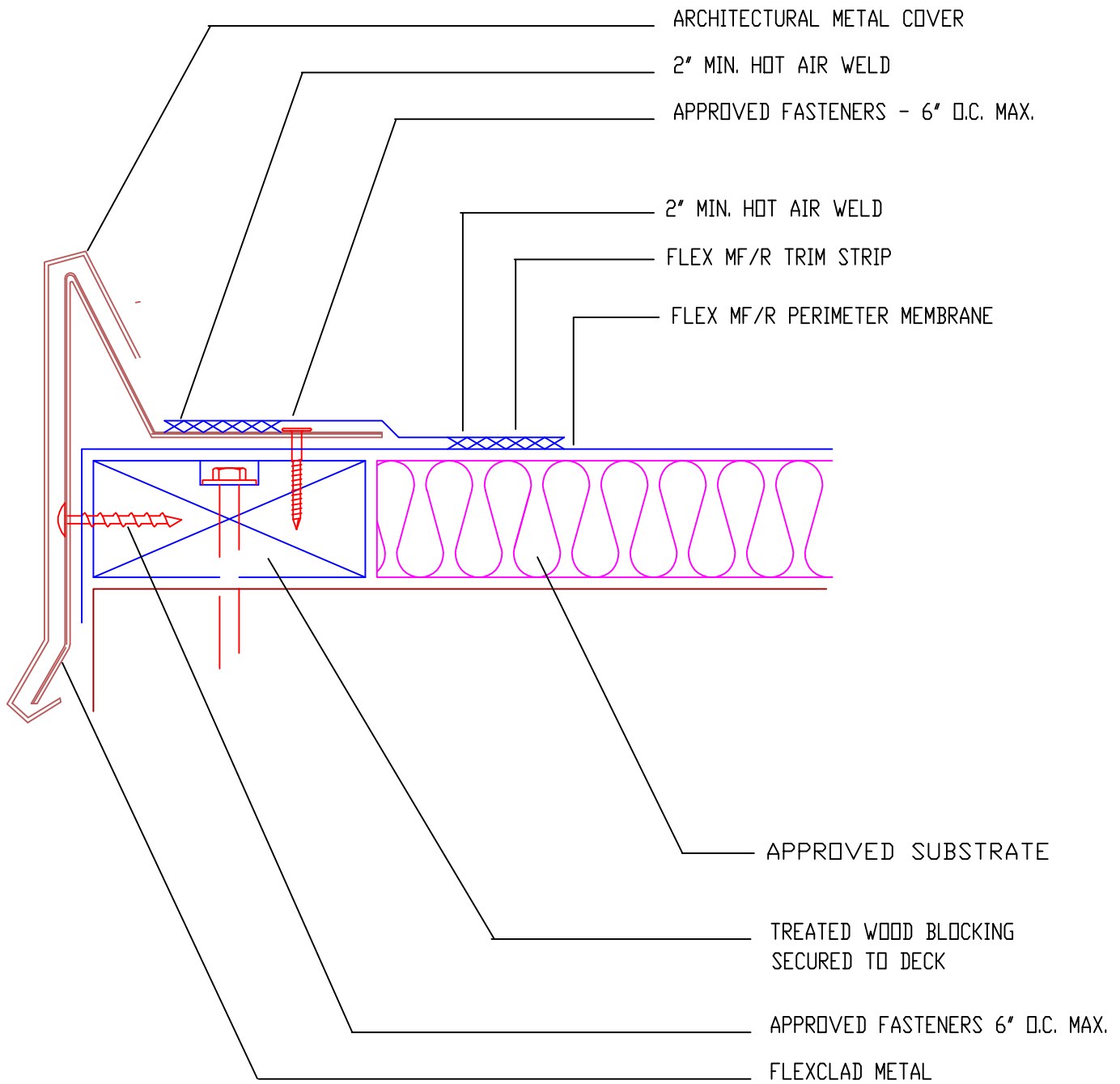
NOTES: FLEX TPO: FLEX TPO CUT EDGE SEALANT IS REQUIRED ON ALL NON FACTORY CUT EDGES OF FLEX TPO

| | | | |
|-----------------------------------|--|--------------------------|--------|
| TITLE | | FACE MOUNTED GUTTER EDGE | |
| NAME | | DETAIL NO. 150 | |
| DRAWN BY: | SK | DATE: | 1/2018 |
| APPLICABLE TO ALL FLEX | | | |
| MECHANICALLY ATTACHED SYSTEMS | | | |
| FLEX MEMBRANE INTERNATIONAL | 2670 LEISCZ'S BRIDGE RD. LEESPORT, PA 19533 800-969-0108 FlexRoofingSystems.com | | |



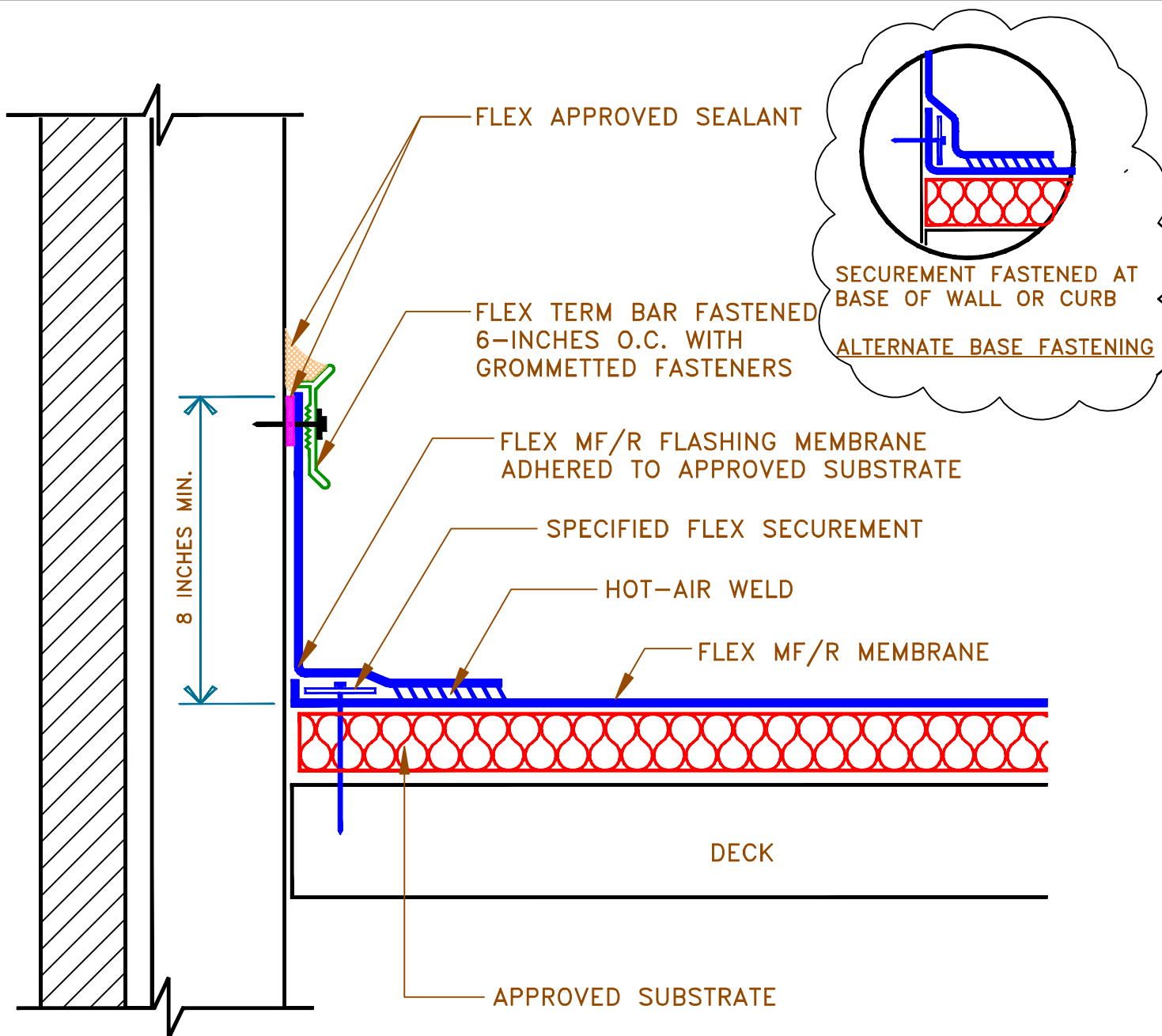
FLEX TPO: FLEX TPO CUT
EDGE SEALANT IS REQUIRED
ON ALL NON FACTORY CUT
EDGES OF FLEX TPO

| | | |
|-----------------------------------|--|--------------------------|
| TITLE | | FLEX LOCK FLE METAL EDGE |
| NAME | | DETAIL NO. 1.60 |
| DRAWN BY: | DATE: | |
| SK | 1/2018 | |
| APPLICABLE TO ALL FLEX | | |
| MECHANICALLY FASTENED SYSTEMS | | |
| FLEX MEMBRANE INTERNATIONAL | 2670 LEISCZ'S BRIDGE RD. LEESPORT, PA 19533 800-969-0108 FlexRoofingSystems.com | |



NOTES: FLEX TPO: FLEX TPO CUT EDGE SEALANT IS REQUIRED ON ALL NON FACTORY CUT EDGES OF FLEX TPO

| | |
|-----------------------------------|--|
| TITLE | |
| ARCHITECTURAL METAL CRIMP ON EDGE | |
| NAME | |
| DETAIL NO. 1.70 | |
| DRAWN BY: | DATE: |
| SK | 1/2018 |
| APPLICABLE TO ALL FLEX | |
| MECHANICALLY ATTACHED SYSTEMS | |
| FLEX MEMBRANE INTERNATIONAL | 2670 LEISCZ'S BRIDGE RD. LEESPORT, PA 19533 800-969-0108 FlexRoofingSystems.com |

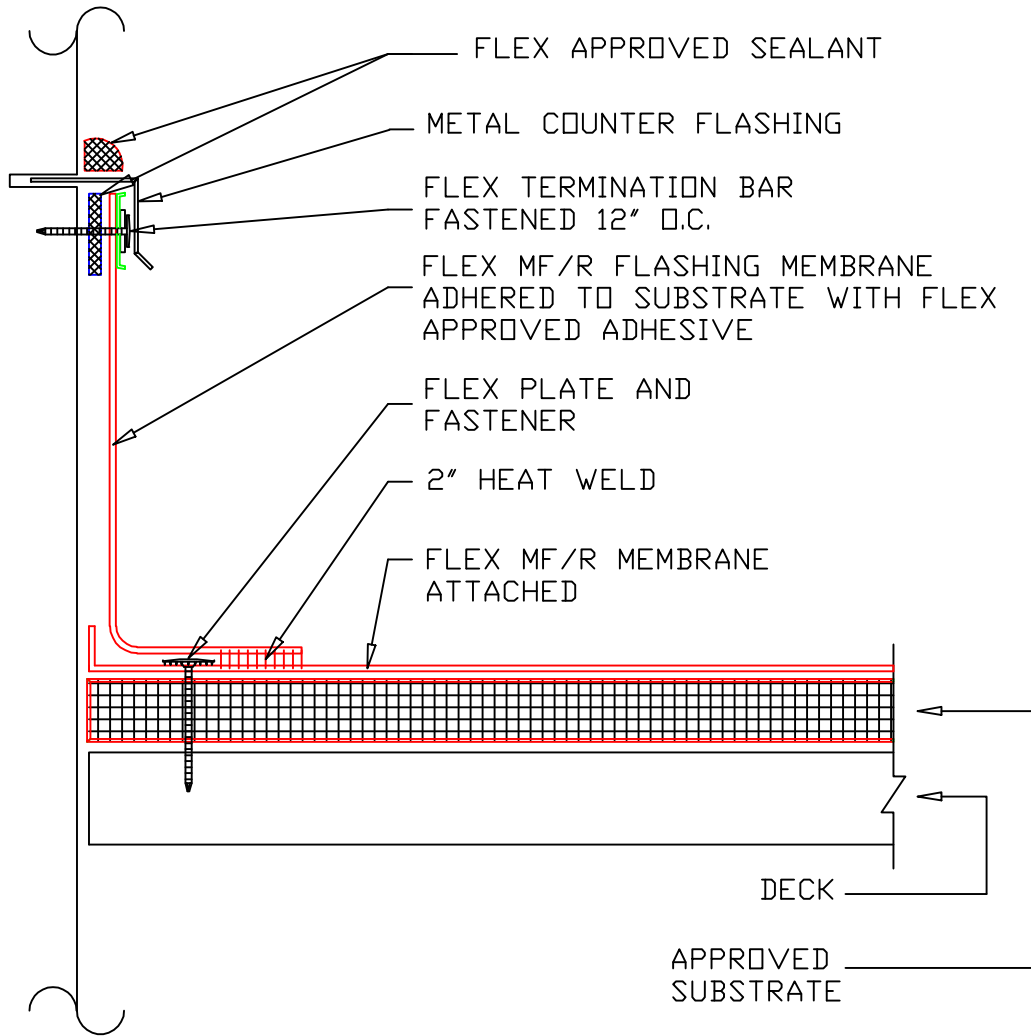


NOTES:

- 1) SEALANT IS A TWO STEP APPLICATION:
 - A) BEHIND TOP OF FLEX FLASHING.
 - B) TOP OF FLEX TERM BAR.
- 2) SEALANT SHALL BE APPLIED TO CLEAN AND DRY APPROVED SUBSTRATES.
- 3) FLEX TERM BAR SHALL BE SECURELY ANCHORED WITH GROMMETTED FASTENERS AND PROVIDE ADEQUATE COMPRESSION OF MEMBRANE FLASHING AND SEALANT.
- 4) ALL FLASHING MEMBRANE THAT IS INSTALLED HIGHER THAN 18" VERTICAL MUST BE ADHERED TO SUBSTRATE.
- 5) IF FLASHING HEIGHT IS HIGHER THAN 48" PLEASE REFER TO FLEX DETAIL 2.40.
- 6) FLEX TPO: FLEX TPO CUT EDGE SEALANT IS REQUIRED ON ALL NON FACTORY CUT EDGES OF FLEX TPO

8IN. MIN. 48IN. MAX

| | |
|---|--|
| TITLE WALL FLASHING WITH SURFACE MOUNTED REGLET | |
| NAME DETAIL NO. 2.10 | |
| DRAWN BY: SK | DATE: 2/2018 |
| APPLICABLE TO ALL FLEX | |
| MECHANICALLY ATTACHED SYSTEMS | |
| FLEX MEMBRANE INTERNATIONAL | 2670 LEISCZ'S BRIDGE RD. LEESPORT, PA 19533 800-969-0108 FlexRoofingSystems.com |



NOTES:

- 1) ALL FLASHINGS MUST BE A MIN. HEIGHT OF 8" ABOVE THE FIELD MEMBRANE.
- 2) EXISTING COUNTERFLASHING IS ACCEPTABLE IF ABOVE MAXIMUM FLOOD LEVEL AND METAL IS IN GOOD CONDITION.
- 3) FUNCTIONAL WEEP HOLE MUST NOT BE BLOCKED
- 4) ALL FLASHING MEMBRANE THAT IS INSTALLED HIGHER THAN 18" VERTICAL MUST BE ADHERED TO SUBSTRATE.
- 5) IF FLASHING HEIGHT IS HIGHER THAN 48" PLEASE REFER TO FLEX DETAIL 2.40.
- 6) FLEX TPO: FLEX TPO CUT EDGE SEALANT IS REQUIRED ON ALL NON FACTORY CUT EDGES OF FLEX TPO

| | | |
|-----------------------------------|--|-----------------|
| TITLE | WALL FLASHING CUT IN REGLET | |
| NAME | DETAIL NO. 2.20 | |
| DRAWN BY: | SK | DATE: 2/2018 |
| APPLICABLE TO ALL FLEX | | |
| MECHANICALLY ATTACHED SYSTEMS | | |
| FLEX MEMBRANE INTERNATIONAL | 2670 LEISCZ'S BRIDGE RD. LEESPORT, PA 19533 800-969-0108 FlexRoofingSystems.com | |

EXTEND FLASHING OVER JOINT BETWEEN BLOCKING AND WALL 1" MIN.

8" WIDE CONCEALED SPLICE PLATE AT EACH JOINT

12" WIDE 20 GA GALV. ANCHOR CLIPS
LOCATE ANCHOR CLIPS 4'-0" O.C.

#9 X 1 1/2 STAINLESS STEEL FASTENERS

COPING COVER 12'-0" LENGTHS

FLEX BONDING ADHESIVE

FLEX MF/R FLASHING MEMBRANE FULLY ADHERED TO SUBSTRATE WITH FLEX BONDING ADHESIVE

FLEX PLATE AND FASTENER

HEAT WELDED 2" SEAM

FLEX MFR MEMBRANE ATTACHED

DECK

APPROVED SUBSTRATE

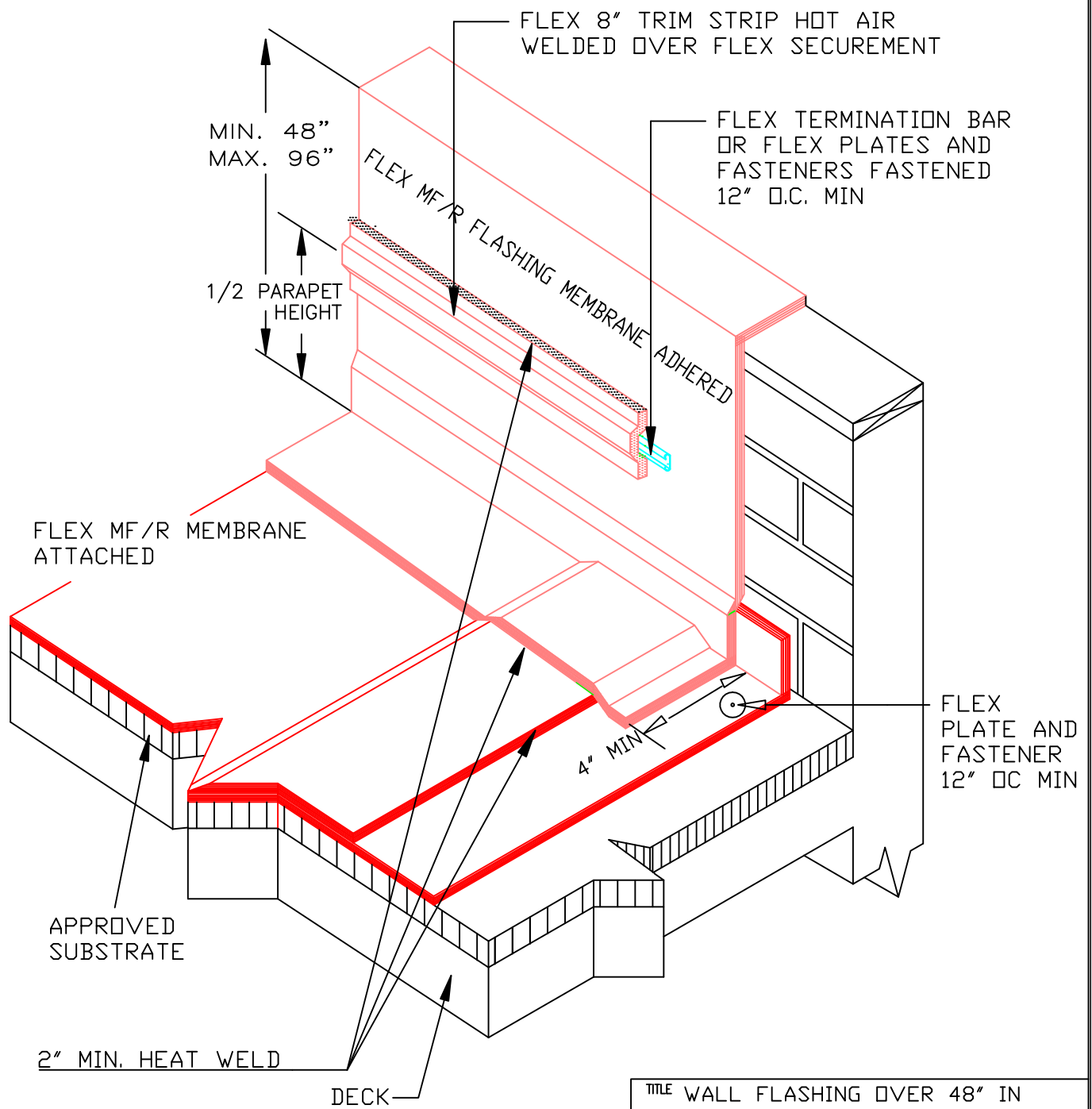
1) ALL FLASHINGS MUST BE A MIN. HEIGHT OF 8" ABOVE THE FIELD MEMBRANE.

2) ALL FLASHING MEMBRANE THAT IS INSTALLED HIGHER THAN 18" VERTICAL MUST BE ADHERED TO SUBSTRATE.

3) IF FLASHING HEIGHT IS HIGHER THAN 48" PLEASE REFER TO FLEX DETAIL 2.40.

4) FLEX TPO: FLEX TPO CUT EDGE SEALANT IS REQUIRED ON ALL NON FACTORY CUT EDGES OF FLEX TPO

| | |
|-----------------------------------|--|
| TITLE | |
| PARAPET WALL W/ FLEX CAP COPING | |
| NAME | |
| DETAIL NO. 2.30 | |
| DRAWN BY: | DATE: |
| SK | 2/2018 |
| APPLICABLE TO ALL FLEX | |
| MECHANICALLY ATTACHED SYSTEMS | |
| FLEX MEMBRANE INTERNATIONAL | 2670 LEISCZ'S BRIDGE RD. LEESPORT, PA 19533 800-969-0108 FlexRoofingSystems.com |



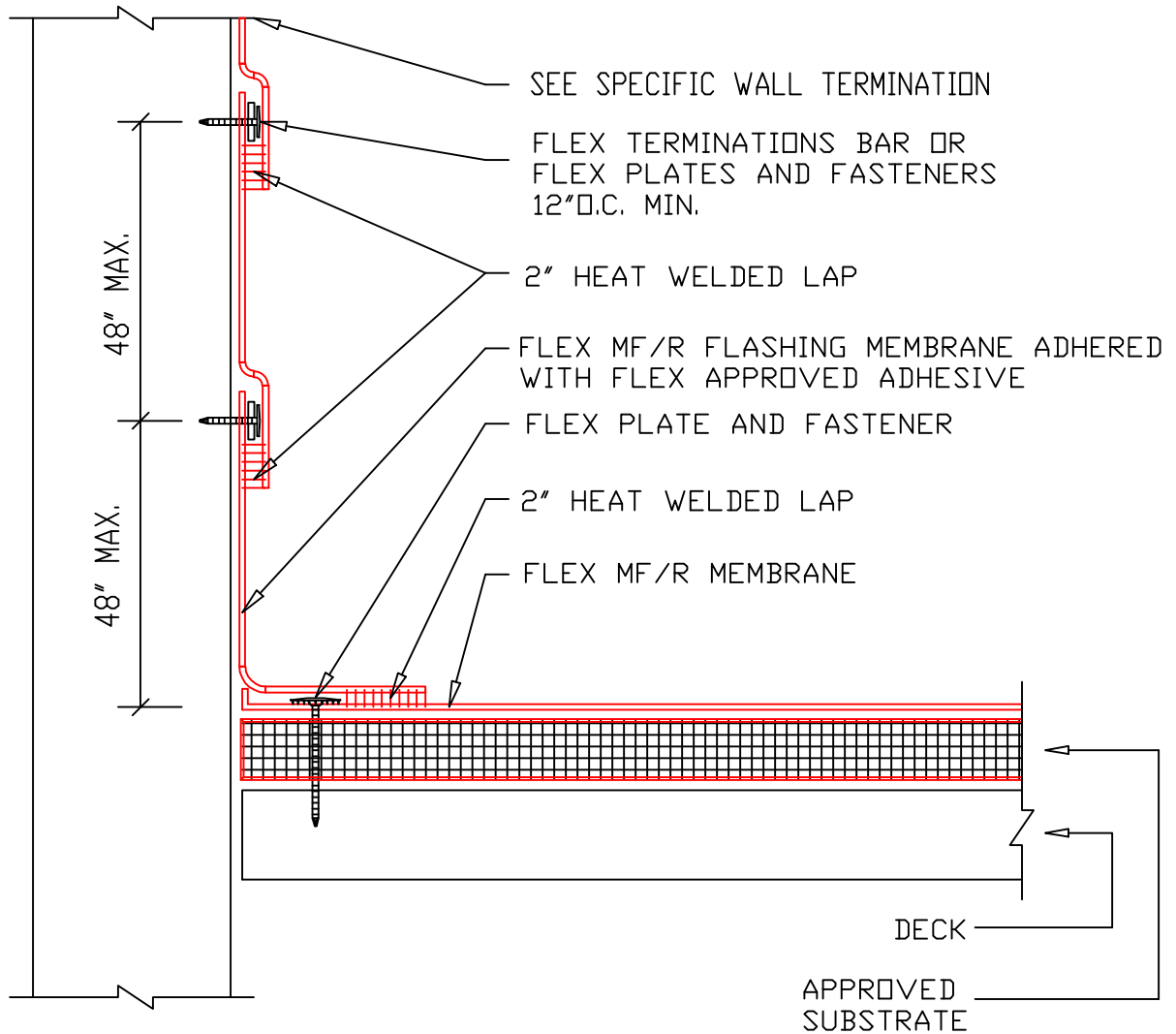
NOTES:

1) ALL FLASHINGS MUST BE A MIN. HEIGHT OF 8" ABOVE THE FIELD MEMBRANE.

2) ALL FLASHING MEMBRANE THAT IS INSTALLED HIGHER THAN 18" VERTICAL MUST BE ADHERED TO SUBSTRATE.

3) FLEX TPO: FLEX TPO CUT EDGE SEALANT IS REQUIRED ON ALL NON FACTORY CUT EDGES OF FLEX TPO

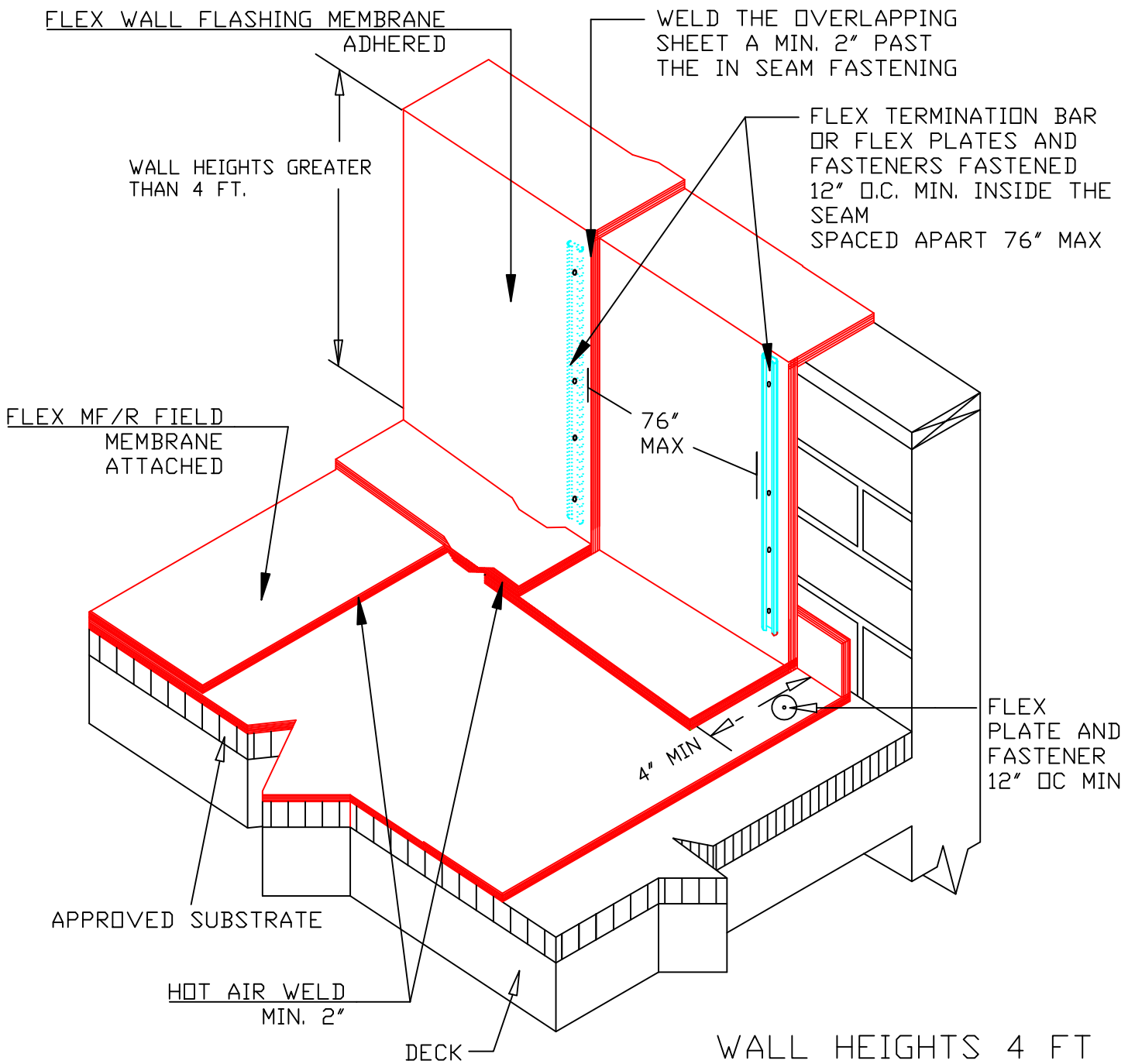
| | |
|--|--|
| TITLE WALL FLASHING OVER 48" IN HEIGHT | |
| NAME DETAIL NO. 2.40 | |
| DRAWN BY: SK | DATE: 2/2018 |
| APPLICABLE TO ALL FLEX | |
| MECHANICALLY ATTACHED SYSTEMS | |
| FLEX MEMBRANE INTERNATIONAL | 2670 LEISCZ'S BRIDGE RD. LEESPORT, PA 19533 800-969-0108 FlexRoofingSystems.com |



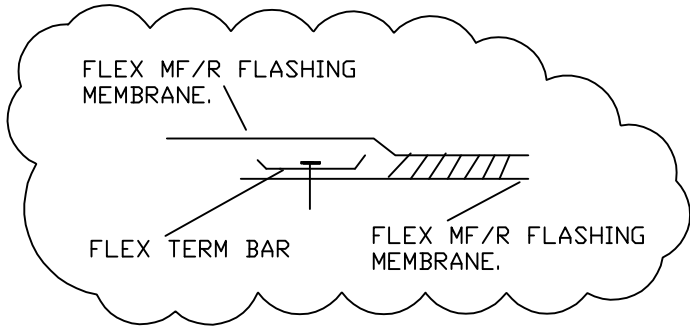
NOTES:

- 1) ALL FLASHINGS MUST BE A MIN. HEIGHT OF 8" ABOVE THE FIELD MEMBRANE.
- 2) ALL FLASHING MEMBRANE THAT IS INSTALLED HIGHER THAN 18" VERTICAL MUST BE ADHERED TO SUBSTRATE.
- 3) FLEX TPO: FLEX TPO CUT EDGE SEALANT IS REQUIRED ON ALL NON FACTORY CUT EDGES OF FLEX TPO

| | |
|---|--|
| TITLE WALL FLASHING OVER 4' HEIGHT ALTERNATE METHOD | |
| NAME DETAIL NO. 2.50 | |
| DRAWN BY: SK | DATE: 2/2018 |
| APPLICABLE TO ALL FLEX | |
| MECHANICALLY ATTACHED SYSTEMS | |
| FLEX MEMBRANE INTERNATIONAL | 2670 LEISCZ'S BRIDGE RD. LEESPORT, PA 19533 800-969-0108 FlexRoofingSystems.com |

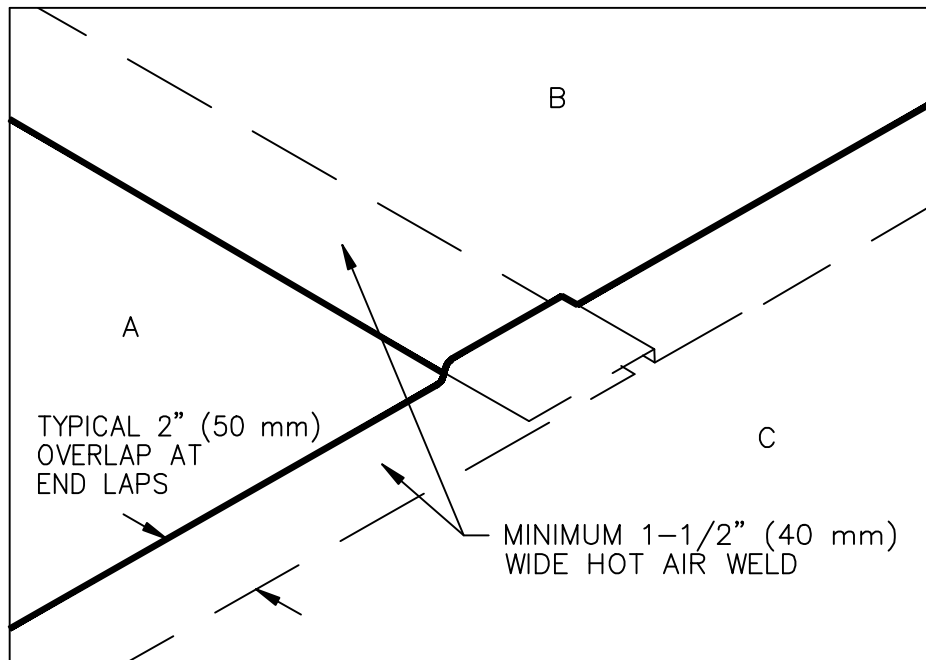


WALL HEIGHTS 4 FT AND GREATER

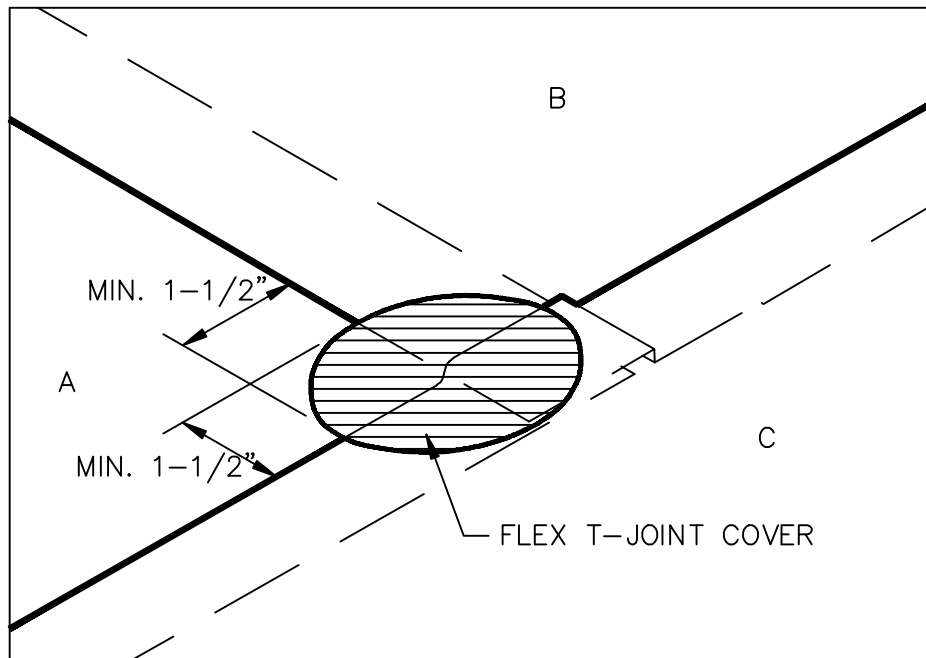


NOTE:
 FLEX TPO: FLEX TPO CUT EDGE SEALANT IS REQUIRED
 ON ALL NON FACTORY CUT EDGES OF FLEX TPO

| | |
|---|--|
| TITLE WALL FLASHING - STRAPPED METHOD | |
| NAME DETAIL NO. 2.60 | |
| DRAWN BY: SK | DATE: 2/2018 |
| APPLICABLE TO ALL FLEX MECHANICALLY FASTENED SYSTEMS | |
| FLEX MEMBRANE INTERNATIONAL | 2670 LEISCZ'S BRIDGE RD. LEESPORT, PA 19533 800-969-0108 FlexRoofingSystems.com |



- ① POSITION SHEETS AND HOT AIR WELD THE FLEX MFR MEMBRANE A MINIMUM OF 1-1/2 (40 mm) INCHES.

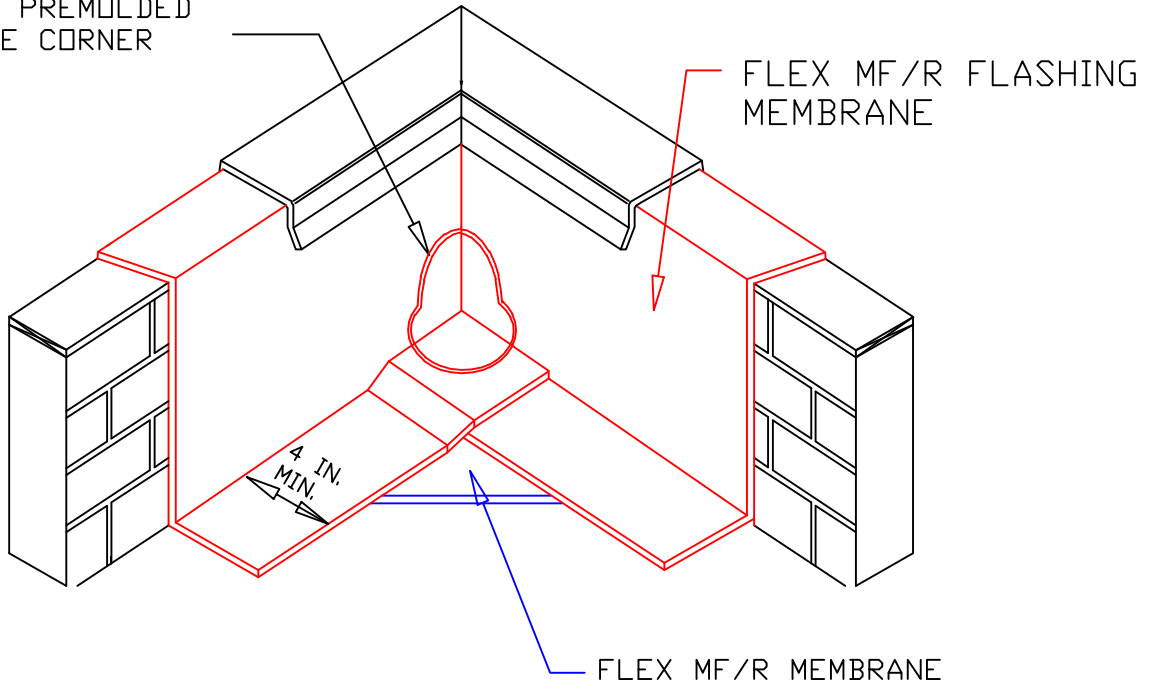


- ② INSTALL A 4.5" DIAMETER FLEX T-JOINT COVER CENTERED OVER THE SPLICE INTERSECTION ("T-JOINT") AS SHOWN.

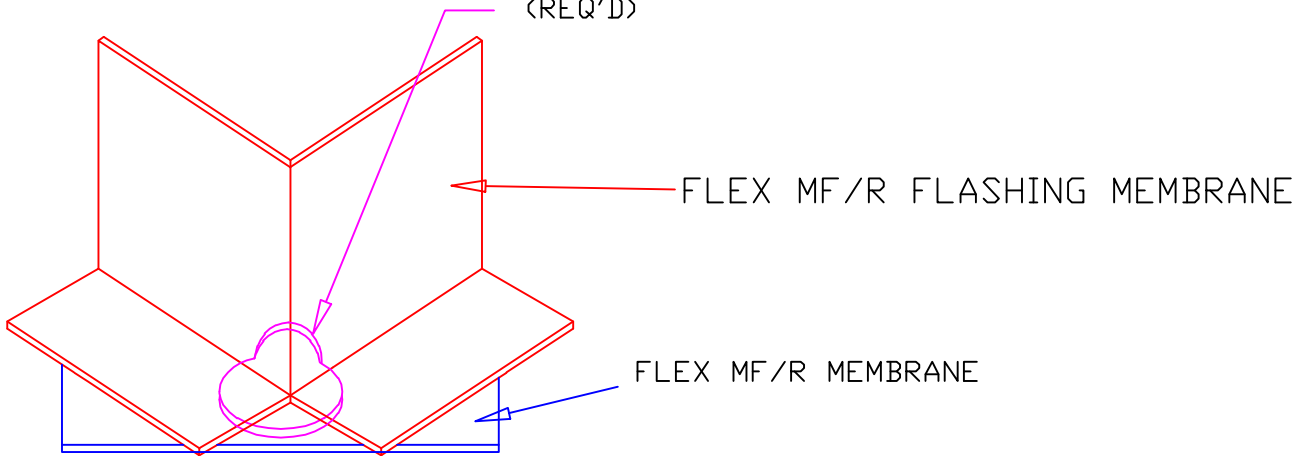
FLEX TPO: FLEX TPO CUT EDGE SEALANT IS REQUIRED ON ALL NON FACTORY CUT EDGES OF FLEX TPO

| | | | |
|-----------------------------------|--|--|-----------------|
| TITLE | | FLEX T-JOINT COVER | |
| NAME | | DETAIL NO. 3.11 | |
| DRAWN BY: | | SK | DATE: 2/2018 |
| APPLICABLE TO ALL FLEX | | | |
| MECHANICALLY ATTACHED SYSTEMS | | | |
| FLEX MEMBRANE INTERNATIONAL | | 2670 LEISCZS BRIDGE RD LEESPORT, PA 19533 800-969-0108 FlexRoofingSystems.com | |

HEAT WELD PREMOLDED
FLEX INSIDE CORNER
(REQ'D)



HEAT WELD PREMOLDED OUTSIDE CORNER
(REQ'D)

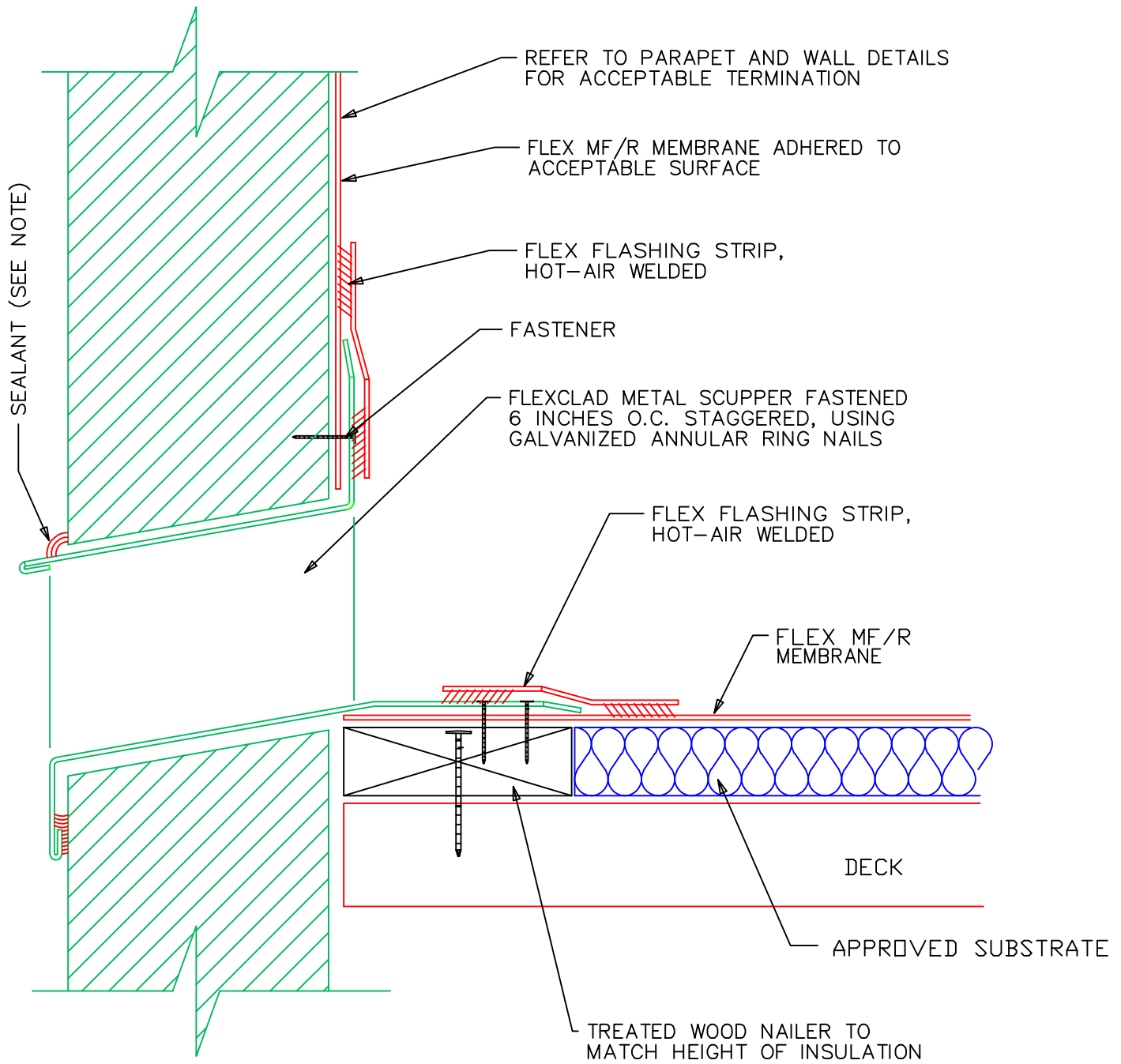


NOTES:

1) FLEX OFFERS PREFORMED INSIDE AND OUTSIDE CORNERS FOR PVC AND ELVALOY. FLEX OFFERS A UNIVERSAL CORNER FOR TPO THAT CAN BE USED FOR AN INSIDE OR OUTSIDE CORNER.

2) FLEX TPO: FLEX TPO CUT EDGE SEALANT IS REQUIRED ON ALL NON FACTORY CUT EDGES OF FLEX TPO

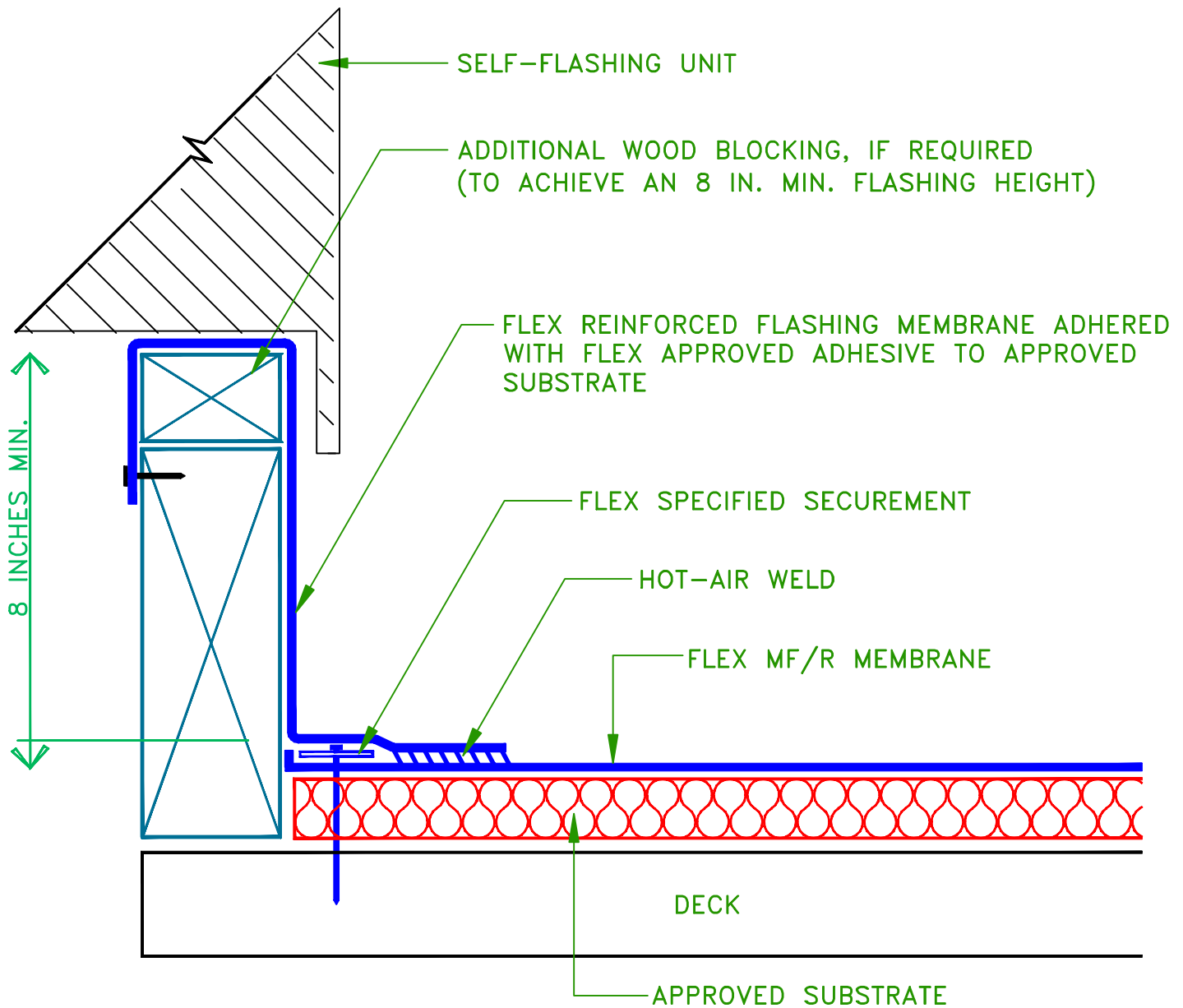
| | | |
|-----------------------------------|--|-----------------|
| TITLE | INSIDE/OUTSIDE CORNER | |
| NAME | DETAIL NO. 3.20 | |
| DRAWN BY: | SK | DATE: 1/2018 |
| APPLICABLE TO ALL FLEX | | |
| MECHANICALLY ATTACHED SYSTEMS | | |
| FLEX MEMBRANE INTERNATIONAL | 2670 LEISCZ'S BRIDGE RD. LEESPORT, PA 19533 800-969-0108 FlexRoofingSystems.com | |



NOTES:

- 1) NAILERS SHALL BE SECURELY ANCHORED TO THE DECK TO RESIST A FORCE OF 300 POUNDS PER LINEAL FOOT IN ANY DIRECTION.
- 2) SEALANT IS A MAINTENANCE ITEM. MAINTENANCE IS NOT COVERED UNDER THE FLEX WARRANTY.
- 3) FLEX PREFORMED OUTSIDE CORNERS OR FIELD FABRICATED CORNERS ARE REQUIRED ON ALL FOUR CORNERS.
- 4) FLEX TPO: FLEX TPO CUT EDGE SEALANT IS REQUIRED ON ALL NON FACTORY CUT EDGES OF FLEX TPO

| | |
|-----------------------------------|--|
| TITLE | |
| FLEXCLAD THROUGH WALL SCUPPER | |
| NAME | |
| DETAIL NO. 3.30 | |
| DRAWN BY: | DATE: |
| SK | 2/2018 |
| APPLICABLE TO ALL FLEX | |
| MECHANICALLY ATTACHED SYSTEMS | |
| FLEX MEMBRANE INTERNATIONAL | 2670 LEISCZ'S BRIDGE RD. LEESPORT, PA 19533 800-969-0108 FlexRoofingSystems.com |



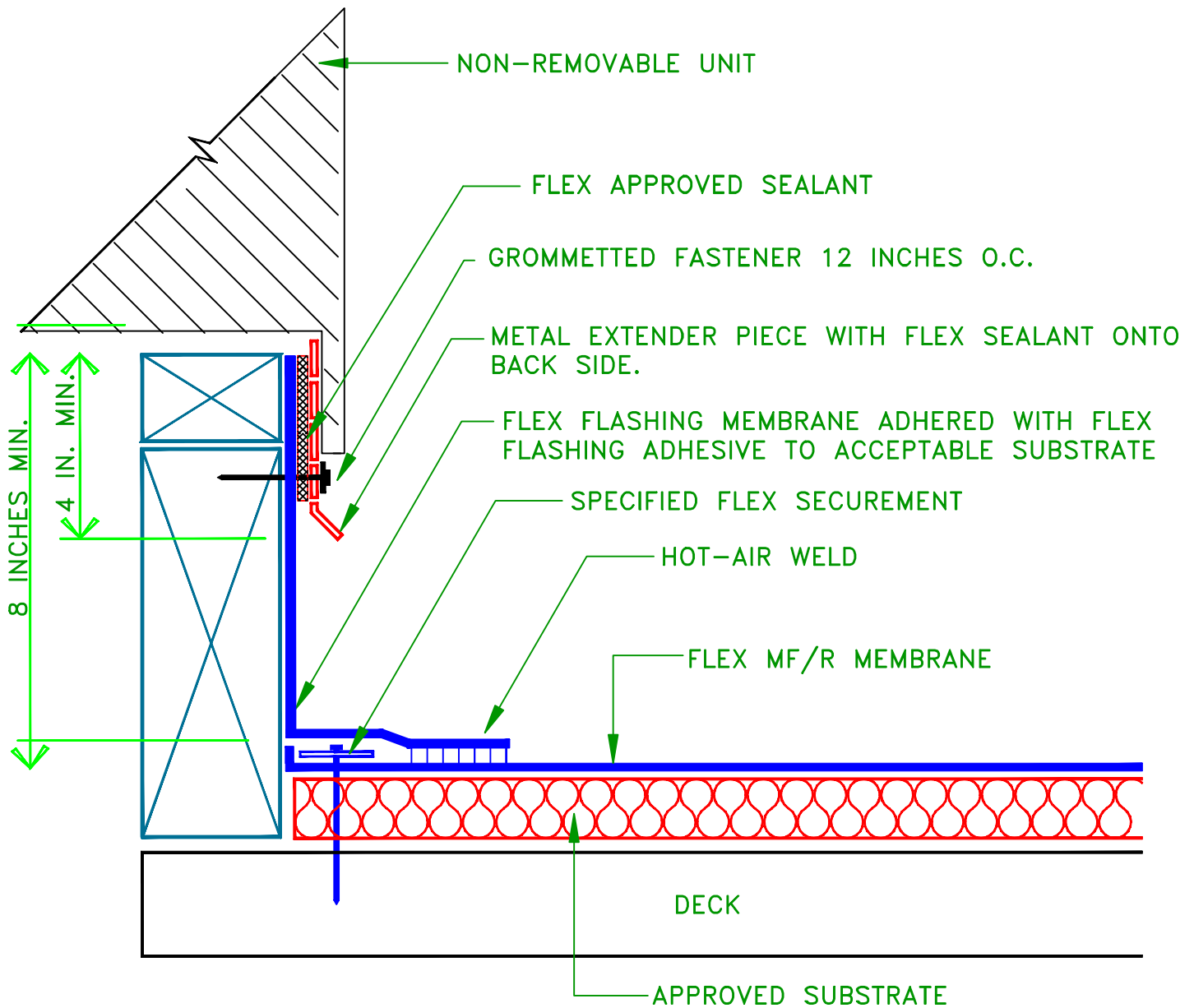
NOTES:

1) ALL FLASHINGS MUST BE A MIN. HEIGHT OF 8" ABOVE THE FIELD MEMBRANE.

2) ALL FLASHING MEMBRANE THAT IS INSTALLED HIGHER THAN 18" VERTICAL MUST BE ADHERED TO SUBSTRATE.

3) FLEX TPO: FLEX TPO CUT EDGE SEALANT IS REQUIRED ON ALL NON FACTORY CUT EDGES OF FLEX TPO

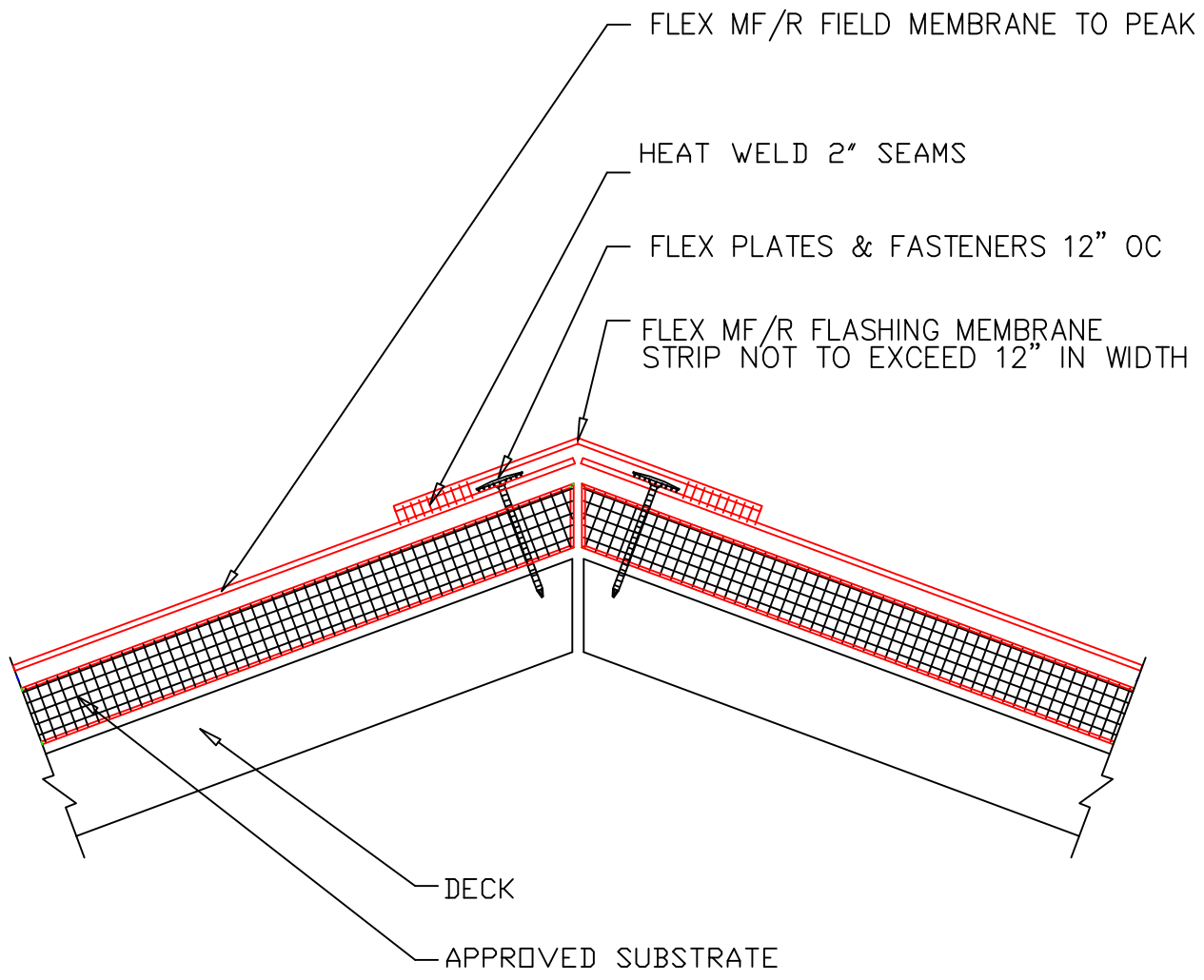
| | |
|---------------------------------------|--|
| TITLE CURB FLASHING-REMOVABLE UNIT | |
| NAME DETAIL NO. 3.40 | |
| DRAWN BY: SK | DATE: 1/2018 |
| APPLICABLE TO ALL FLEX | |
| MECHANICALLY ATTACHED SYSTEMS | |
| FLEX MEMBRANE INTERNATIONAL | 2670 LEISCZ'S BRIDGE RD. LEESPORT, PA 19533 800-969-0108 FlexRoofingSystems.com |



NOTES:

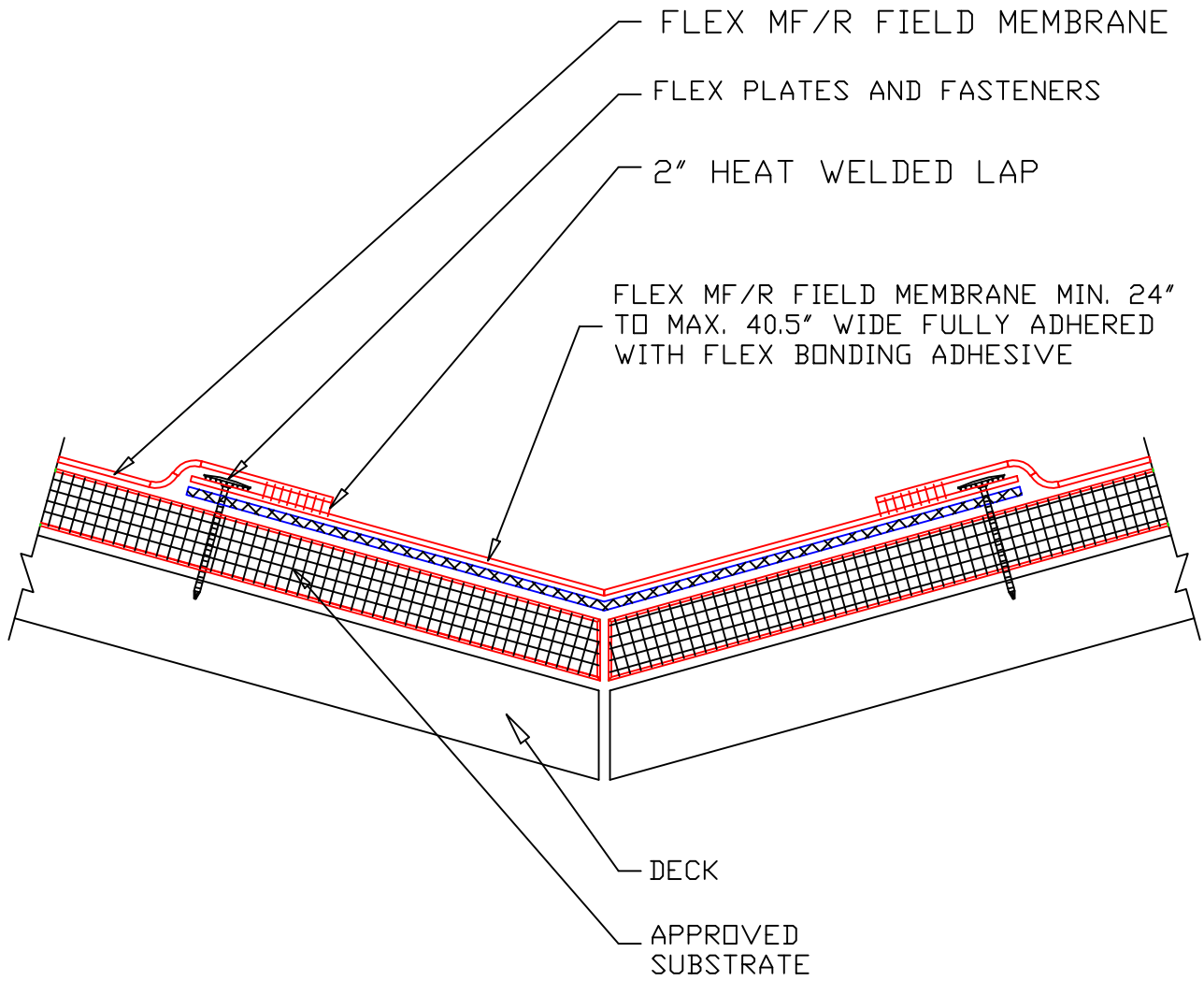
- 1) ALL FLASHINGS MUST BE A MIN. HEIGHT OF 8" ABOVE THE FIELD MEMBRANE.
- 2) ALL FLASHING MEMBRANE THAT IS INSTALLED HIGHER THAN 18" VERTICAL MUST BE ADHERED TO SUBSTRATE.
- 3) FLEX TPO: FLEX TPO CUT EDGE SEALANT IS REQUIRED ON ALL NON FACTORY CUT EDGES OF FLEX TPO

| | |
|-----------------------------------|--|
| TITLE | |
| CURB FLASHING-NON REMOVABLE | |
| NAME | |
| DETAIL NO. 3.50 | |
| DRAWN BY: | DATE: |
| SK | 6/2017 |
| APPLICABLE TO ALL FLEX | |
| MECHANICALLY ATTACHED SYSTEMS | |
| FLEX MEMBRANE INTERNATIONAL | 2670 LEISCZ'S BRIDGE RD. LEESPORT, PA 19533 800-969-0108 FlexRoofingSystems.com |



- NOTES:
- 1) THIS DETAIL IS REQUIRED ON SLOPED OF 1:12 OR GREATER
 - 2) MEMBRANE FASTENER SPACING NOT TO EXCEED 12" O.C.
 - 3) FLEX TPO: FLEX TPO CUT EDGE SEALANT IS REQUIRED ON ALL NON FACTORY CUT EDGES OF FLEX TPO

| | | | |
|-----------------------------------|--|--|--|
| TITLE | | RIDGE FLASHING DETAIL | |
| NAME | | DETAIL NO. 3.60 | |
| DRAWN BY: | | DATE: | |
| SK | | 2/2018 | |
| APPLICABLE TO ALL FLEX | | | |
| MECHANICALLY ATTACHED SYSTEMS | | | |
| FLEX MEMBRANE INTERNATIONAL | | 2670 LEISCZ'S BRIDGE RD. LEESPORT, PA 19533 800-969-0108 FlexRoofingSystems.com | |

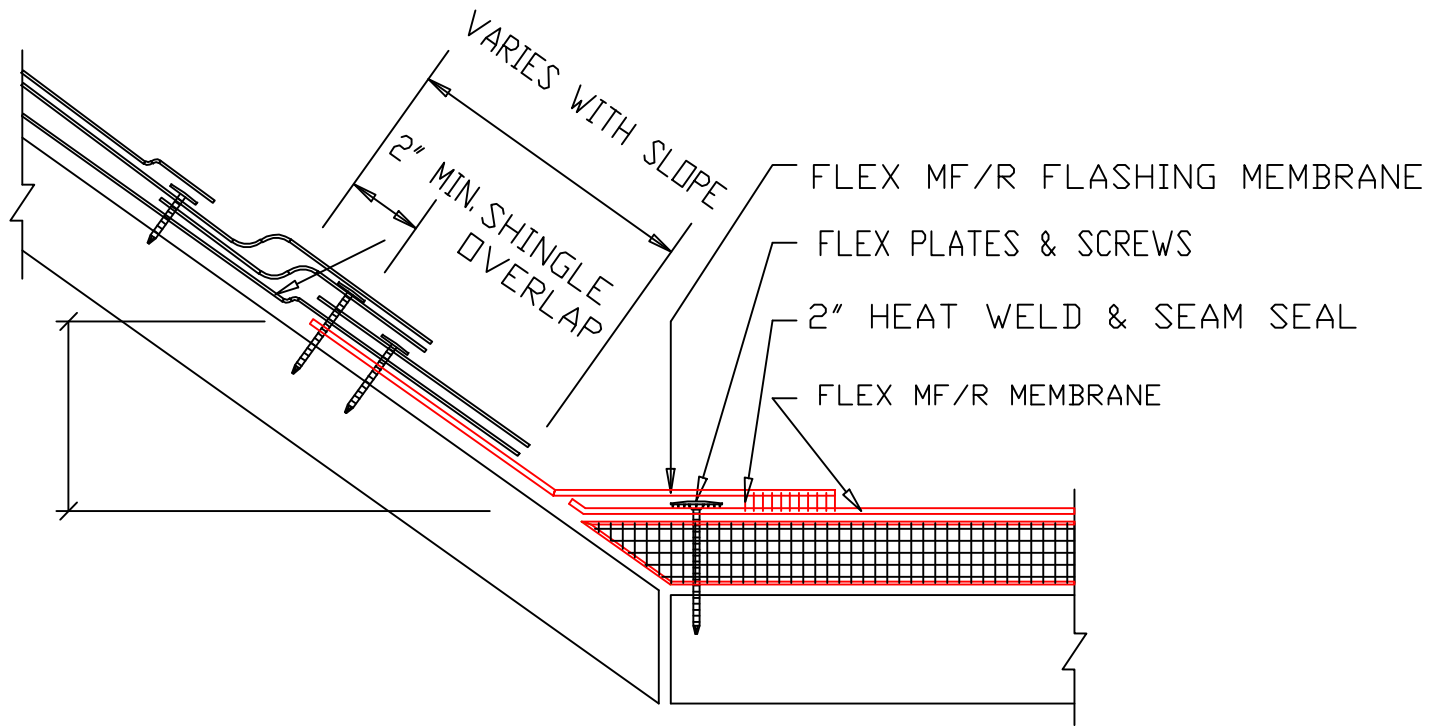


NOTES:

1) MEMBRANE FASTENER SPACING NOT TO EXCEED 12" OC

2) FLEX TPO: FLEX TPO CUT EDGE SEALANT IS REQUIRED ON ALL NON FACTORY CUT EDGES OF FLEX TPO

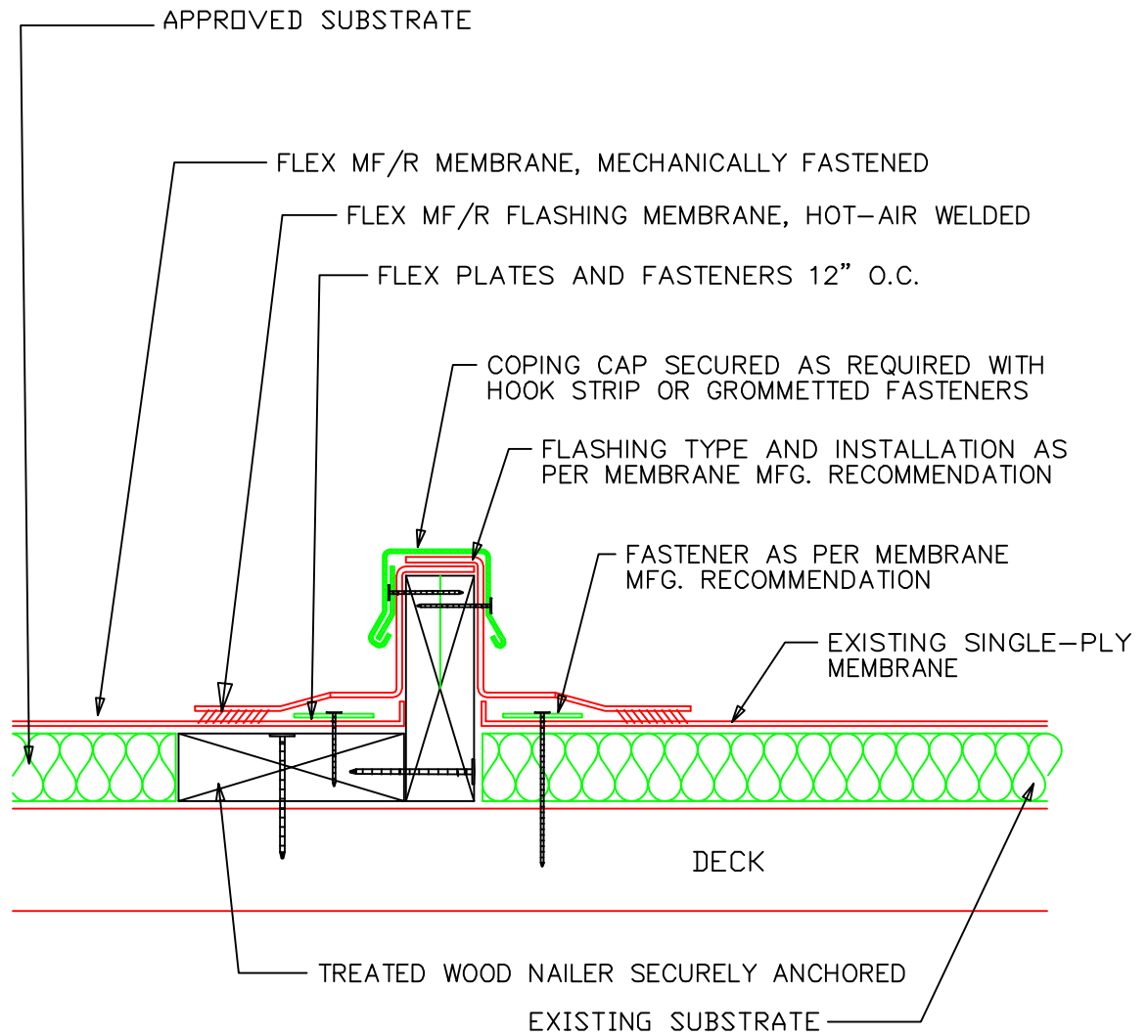
| | | | |
|-----------------------------------|--|--|--|
| TITLE | | VALLEY FLASHING | |
| NAME | | DETAIL NO. 3.70 | |
| DRAWN BY: | | DATE: | |
| SK | | 2/2018 | |
| APPLICABLE TO ALL FLEX | | | |
| MECHANICALLY ATTACHED SYSTEMS | | | |
| FLEX MEMBRANE INTERNATIONAL | | 2670 LEISCZ'S BRIDGE RD. LEESPORT, PA 19533 800-969-0108 FlexRoofingSystems.com | |



NOTES:

- 1) THIRD COURSE OF SHINGLES MUST OVERLAP FLASHING
- 2) FLEX TPO: FLEX TPO CUT EDGE SEALANT IS REQUIRED ON ALL NON FACTORY CUT EDGES OF FLEX TPO

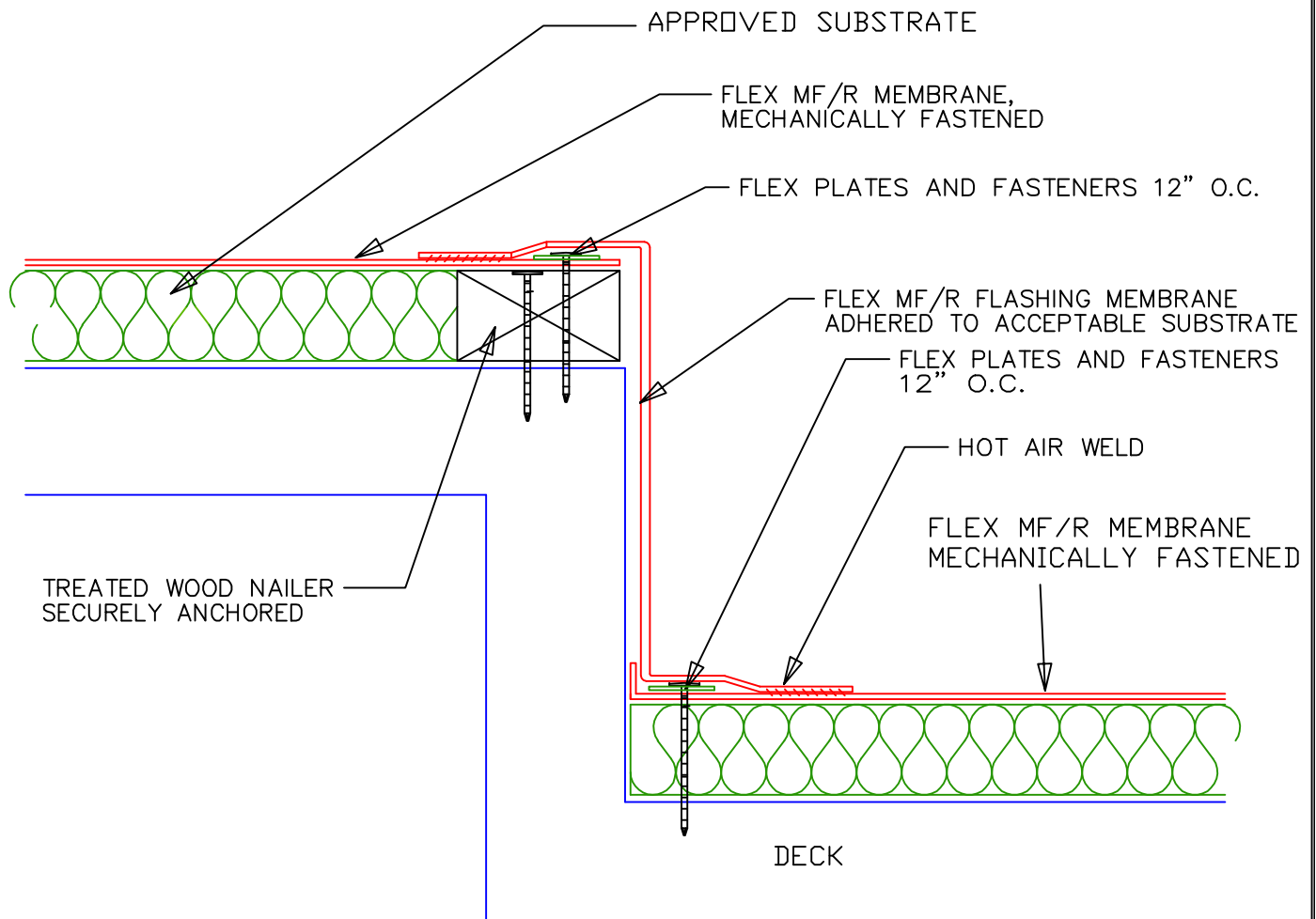
| | | |
|-----------------------------------|--|-----------------|
| TITLE | SLOPE ROOF TIE IN | |
| NAME | DETAIL NO. 3.80 | |
| DRAWN BY: | SK | DATE: 2/2018 |
| APPLICABLE TO ALL FLEX | | |
| MECHANICALLY ATTACHED SYSTEMS | | |
| FLEX MEMBRANE INTERNATIONAL | 2670 LEISCZ'S BRIDGE RD. LEESPORT, PA 19533 800-969-0108 FlexRoofingSystems.com | |



NOTES:

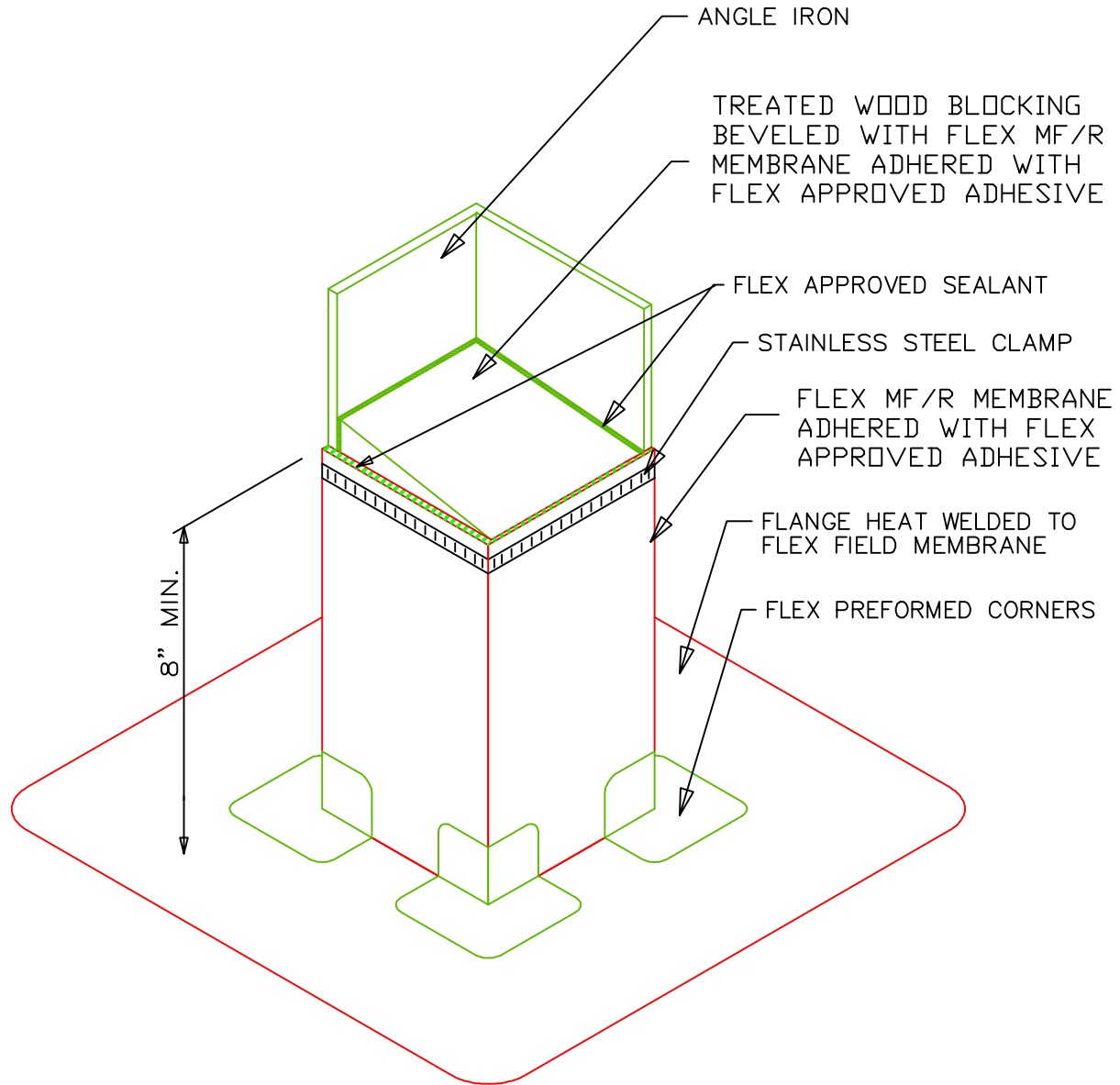
- 1) NAILERS SHALL BE SECURELY ANCHORED TO THE DECK TO RESIST A FORCE OF 100 POUNDS PER LINEAL FOOT IN ANY DIRECTION
- 2) FOLLOW EXISTING SINGLE-PLY MFG. RECOMMENDATIONS FOR TIE-IN DETAIL AND FOR CLEANING MEMBRANE.
- 3) CLEAN EXISTING SINGLE-PLY MEMBRANE PRIOR TO HOT-AIR WELDING
- 4) FLEX TPO: FLEX TPO CUT EDGE SEALANT IS REQUIRED ON ALL NON FACTORY CUT EDGES OF FLEX TPO

| | | |
|-------------------------------|--|-----------------|
| TITLE | TIE IN TO EXISTING SINGLE PLY | |
| NAME | DETAIL NO. 3.91 | |
| DRAWN BY: | SK | DATE: 2/2018 |
| APPLICABLE TO ALL FLEX | | |
| MECHANICALLY ATTACHED SYSTEMS | | |
| FLEX MEMBRANE INTERNATIONAL | 2670 LEISCZ'S BRIDGE RD. LEESPORT, PA 19533 800-969-0108 FlexRoofingSystems.com | |



- NOTES:
- 1) NAILERS SHALL BE SECURELY ANCHORED TO THE DECK TO RESIST A FORCE OF 300 POUNDS PER LINEAL FOOT IN ANY DIRECTION
 - 2) DETAIL APPLIES TO ANY VERTICAL TRANSITION IN DECK OVER 1" IN HEIGHT
 - 3) FLEX TPO: FLEX TPO CUT EDGE SEALANT IS REQUIRED ON ALL NON FACTORY CUT EDGES OF FLEX TPO

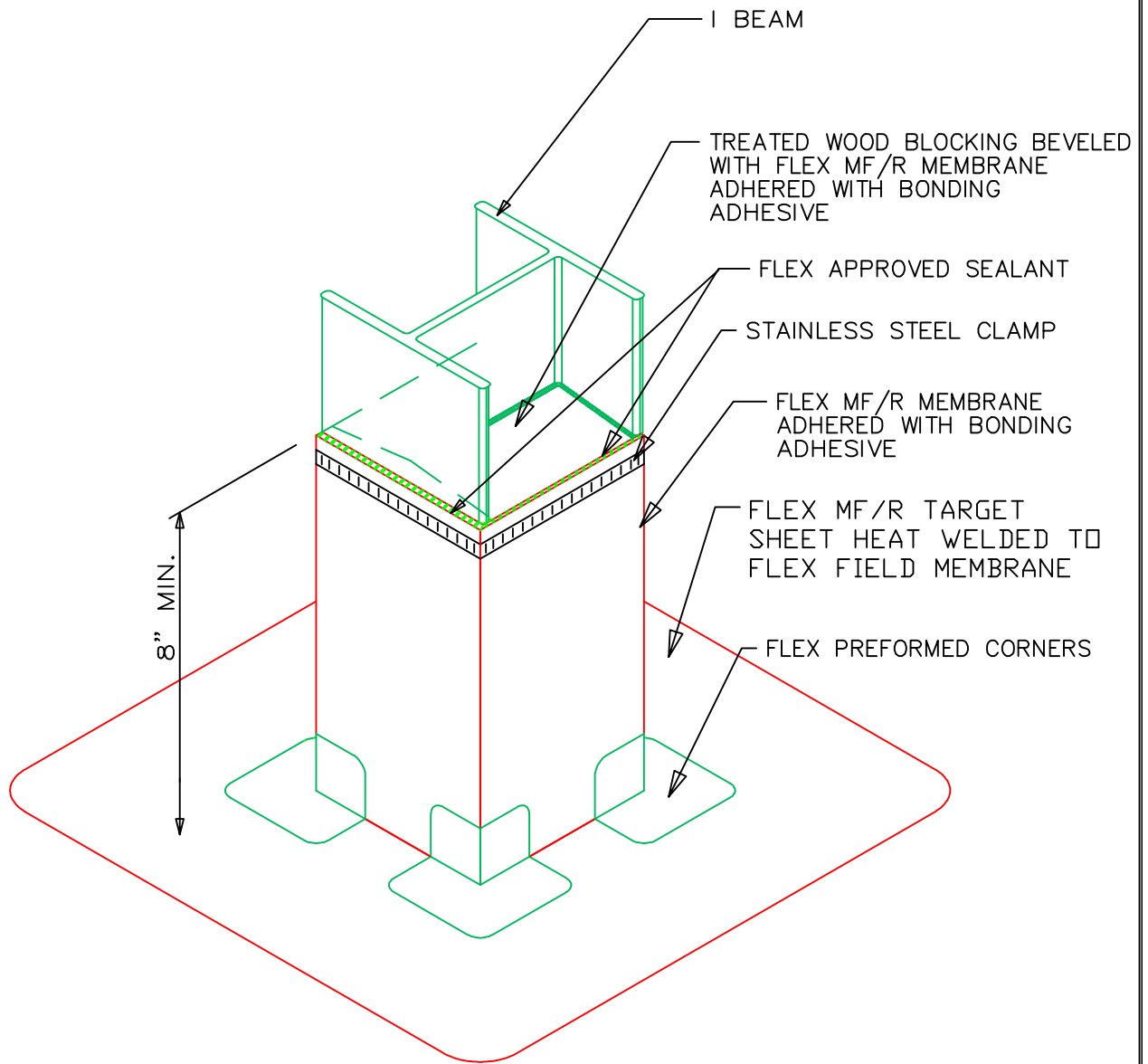
| | | | |
|-----------------------------------|--|--|--|
| TITLE | | VERTICAL TRANSITION | |
| NAME | | DETAIL NO. 3.92 | |
| DRAWN BY: | | DATE: | |
| SK | | 2/2018 | |
| APPLICABLE TO ALL FLEX | | | |
| MECHANICALLY ATTACHED SYSTEMS | | | |
| FLEX MEMBRANE INTERNATIONAL | | 2670 LEISCZ'S BRIDGE RD. LEESPORT, PA 19533 800-969-0108 FlexRoofingSystems.com | |



NOTES:

- 1) FLEX MECHANICALLY ATTACHED SYSTEMS REQUIRE A MIN. OF 4 FLEX PLATE AND FASTENERS ASSEMBLIES AROUND THE BASE OF THE PENETRATION
- 2) PRESSURE TREATED WOOD BLOCKING MUST BE IMBEDDED IN A LAYER OF FLEX APPROVED SEALANT PRIOR TO FLASHING
- 3) SEALANT IS A MAINTENANCE ITEM. MAINTENANCE ITEMS ARE NOT INCLUDED IN THE FLEX WARRANTY
- 4) FLEX TPO: FLEX TPO CUT EDGE SEALANT IS REQUIRED ON ALL NON FACTORY CUT EDGES OF FLEX TPO

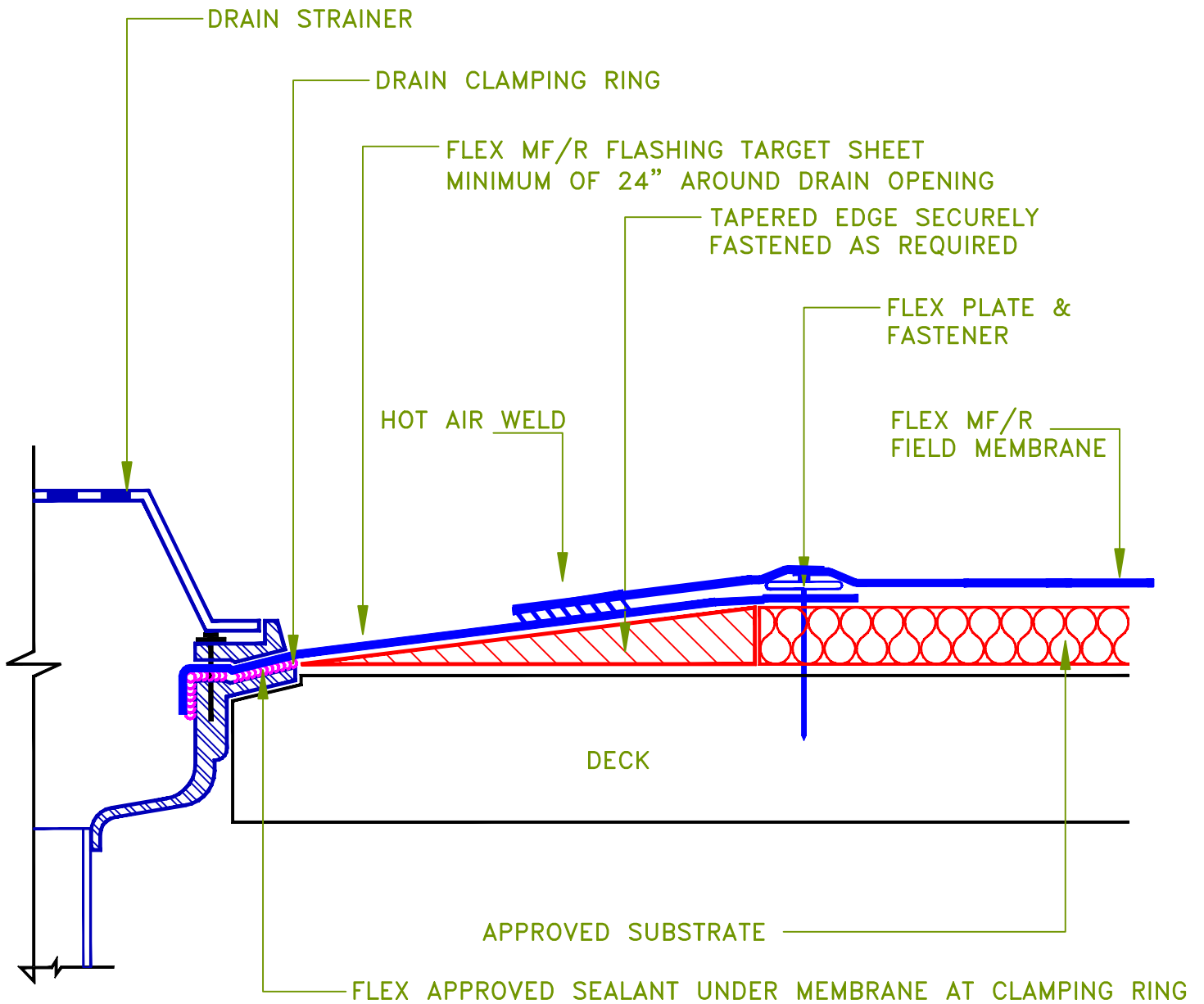
| | | |
|-----------------------------------|--|---------------------|
| TITLE | | ANGLE IRON FLASHING |
| NAME | | DETAIL NO. 4.10 |
| DRAWN BY: | DATE: | |
| SK | 2/2018 | |
| APPLICABLE TO ALL FLEX | | |
| MECHANICALLY ATTACHED SYSTEMS | | |
| FLEX MEMBRANE INTERNATIONAL | 2670 LEISCZ'S BRIDGE RD. LEESPORT, PA 19533 800-969-0108 FlexRoofingSystems.com | |



NOTE:

- 1) PRESSURE TREATED WOOD BLOCKING MUST BE IMBEDDED IN LAYER OF FLEX APPROVED SEALANT PRIOR TO FLASHING
- 2) POURABLE SEALER AND CAULKINGS ARE MAINTENANCE ITEMS AND ARE NOT COVERED BY THE FLEX WARRANTY.
- 3) FLEX MEMBRANE PLATES AND FASTENERS ARE REQUIRED TO BE INSTALLED 12" OC AROUND THE BASE OF THE PENETRATION
- 4) FLEX TPO: FLEX TPO CUT EDGE SEALANT IS REQUIRED ON ALL NON FACTORY CUT EDGES OF FLEX TPO

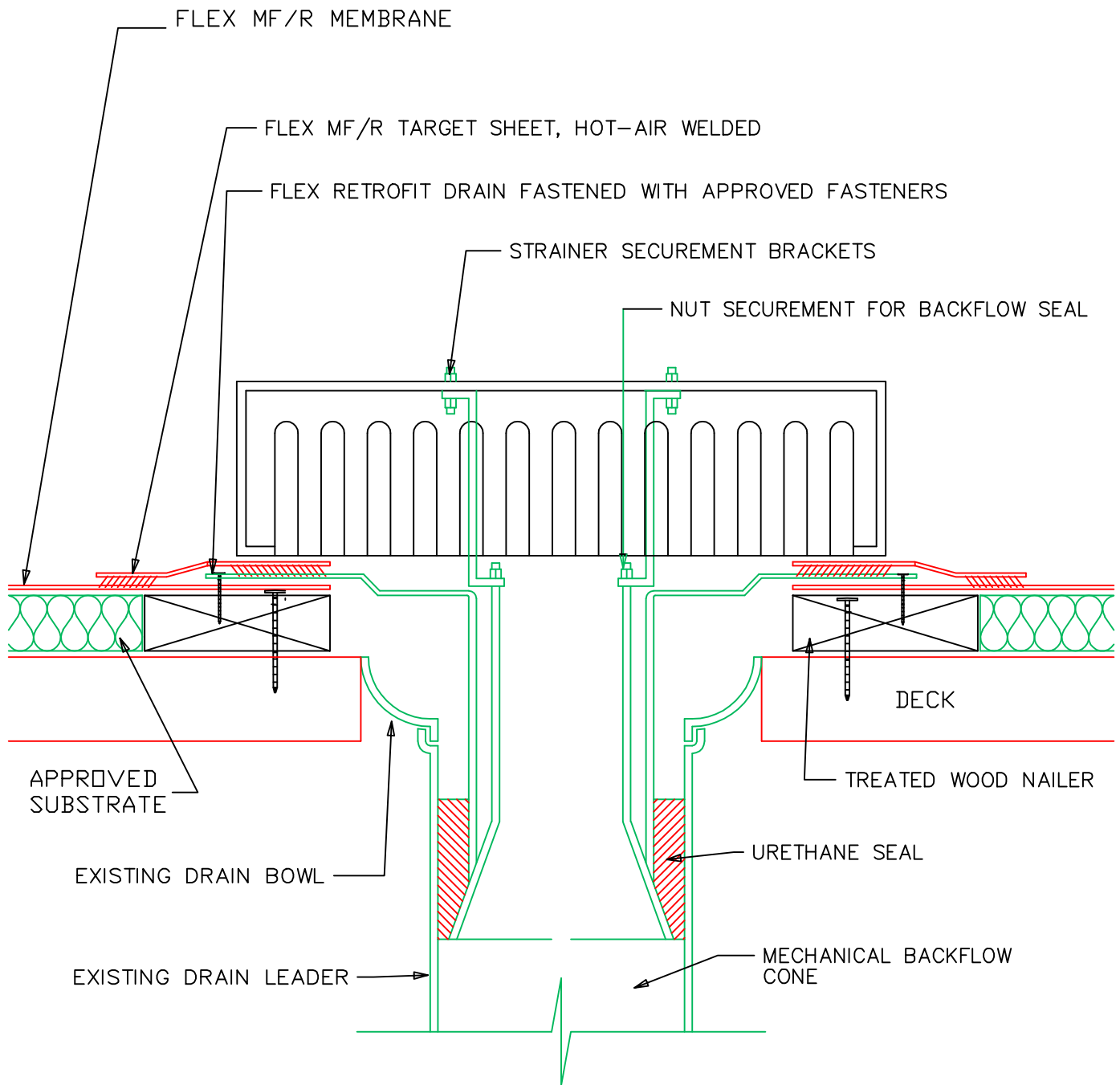
| | | |
|-----------------------------------|--|------------------------|
| TITLE | | I-BEAM FLASHING DETAIL |
| NAME | | DETAIL NO. 4.20 |
| DRAWN BY: | DATE: | SK 1/2018 |
| APPLICABLE TO ALL FLEX | | |
| MECHANICALLY ATTACHED SYSTEMS | | |
| FLEX MEMBRANE INTERNATIONAL | 2670 LEISCZ'S BRIDGE RD. LEESPORT, PA 19533 800-969-0108 FlexRoofingSystems.com | |



NOTES:

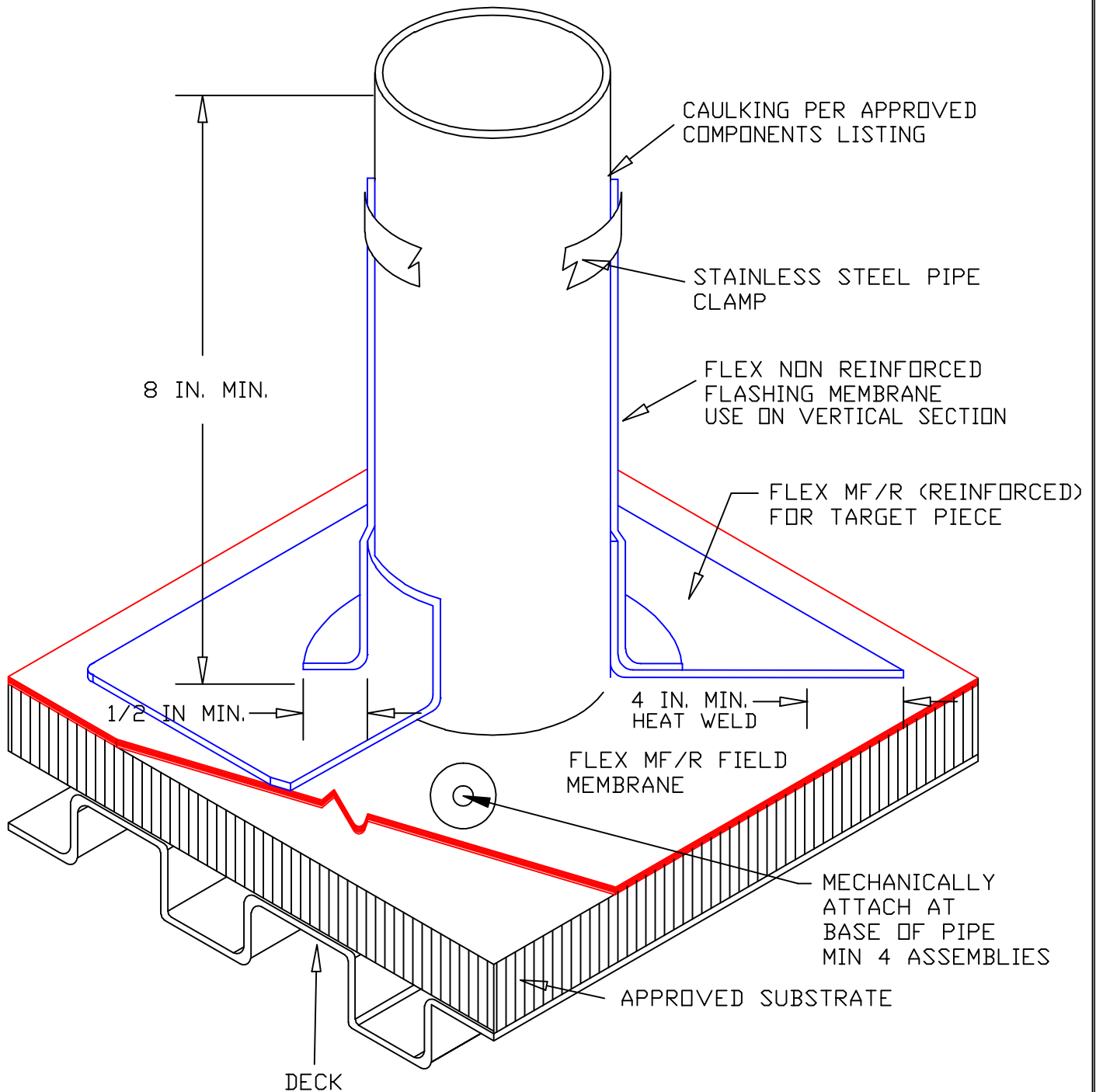
- 1) EXISTING DRAIN BOWL, CLAMPING RING AND DRAIN ACCESSORIES ARE TO BE CLEANED FREE OF ALL CONTAMINATES.
- 2) FLEX TPO: FLEX TPO CUT EDGE SEALANT IS REQUIRED ON ALL NON FACTORY CUT EDGES OF FLEX TPO

| | | |
|-----------------------------------|--|-----------------|
| TITLE | FLEX MF/R DRAIN DETAIL | |
| NAME | DETAIL NO. 4.31 | |
| DRAWN BY: | SK | DATE: 2/2018 |
| APPLICABLE TO ALL FLEX | | |
| MECHANICALLY ATTACHED SYSTEMS | | |
| FLEX MEMBRANE INTERNATIONAL | LEESPORT, PA 19533 800-969-0108 FlexRoofingSystems.com | |



NOTES:
 1) FLEX IS NOT RESPONSIBLE FOR BLOCKAGE OR WATER BACK UP
 2) FLEX TPO: FLEX TPO CUT EDGE SEALANT IS REQUIRED ON ALL NON FACTORY CUT EDGES OF FLEX TPO

| | | |
|-----------------------------------|--|-----------------|
| TITLE | FLEX RETROFIT DRAIN DETAIL | |
| NAME | DETAIL NO. 4.40 | |
| DRAWN BY: | SK | DATE: 2/2018 |
| APPLICABLE TO ALL FLEX | | |
| MECHANICALLY ATTACHED SYSTEMS | | |
| FLEX MEMBRANE INTERNATIONAL | 2670 LEISCZ'S BRIDGE RD. LEESPORT, PA 19533 800-969-0108 FlexRoofingSystems.com | |

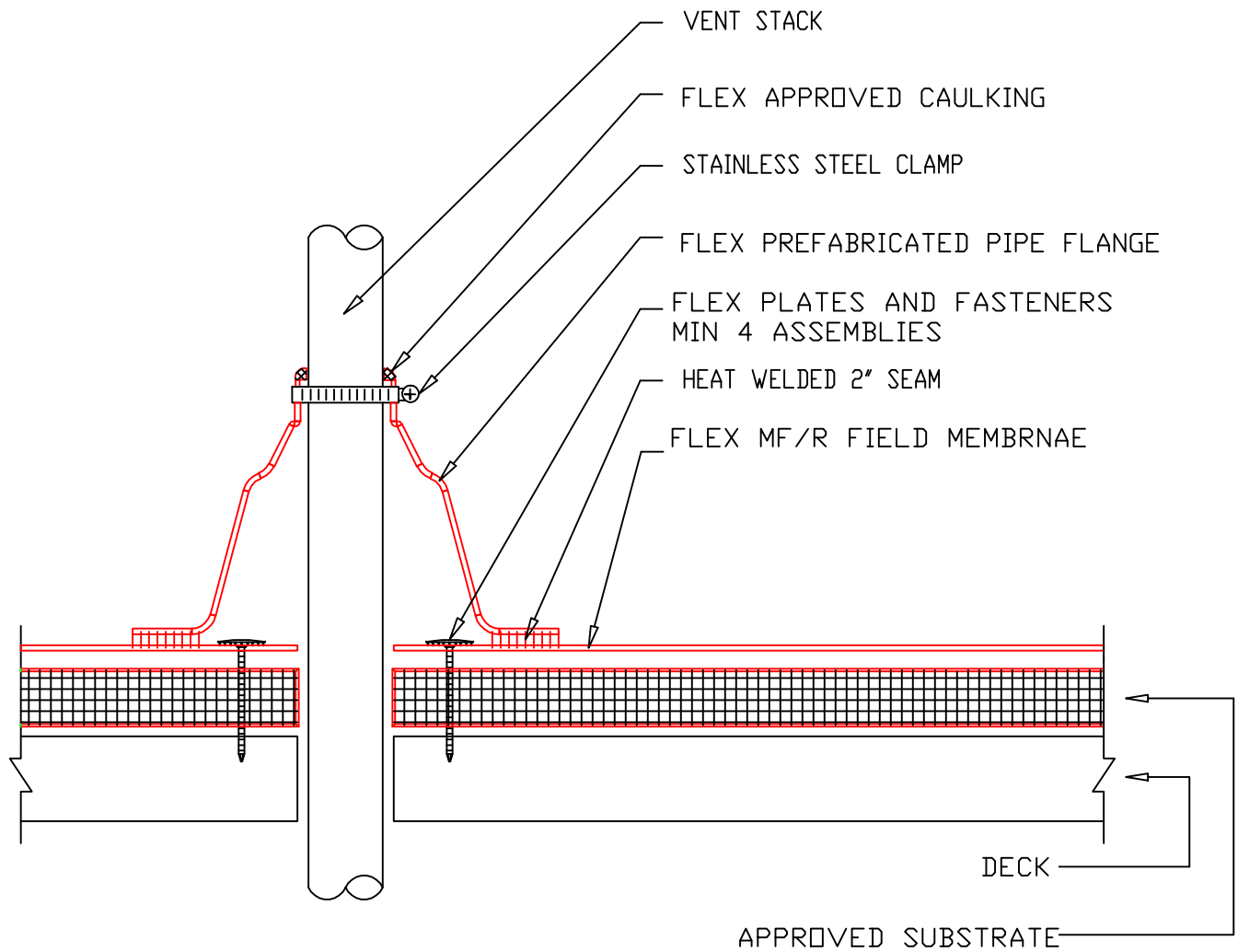


NOTE:

1) REROOFING - ANGLE AT VENT PIPE/ROOF INTERSECTION SHALL BE 90 DEGREES. IF METAL COLLAR EXISTS, REMOVE IT PRIOR TO INSTALLATION OF MEMBRANE. COVER ANY ASPHALT RESIDUE ON PIPE WITH ALUMINUM TAPE PRIOR TO INSTALLATION OF MEMBRANE

2) FLEX TPO: FLEX TPO CUT EDGE SEALANT IS REQUIRED ON ALL NON FACTORY CUT EDGES OF FLEX TPO

| | | | |
|-------------------------------|----|--|--------|
| TITLE | | FIELD FLASHED VENT PIPE | |
| NAME | | DETAIL NO. 4.50 | |
| DRAWN BY: | SK | DATE: | 2/2018 |
| APPLICABLE TO FLEX | | | |
| MECHANICALLY ATTACHED SYSTEMS | | | |
| FLEX MEMBRANE INTERNATIONAL | | 2670 LEISCZ'S BRIDGE RD. LEESPORT, PA 19533 800-969-0108 FlexRoofingSystems.com | |



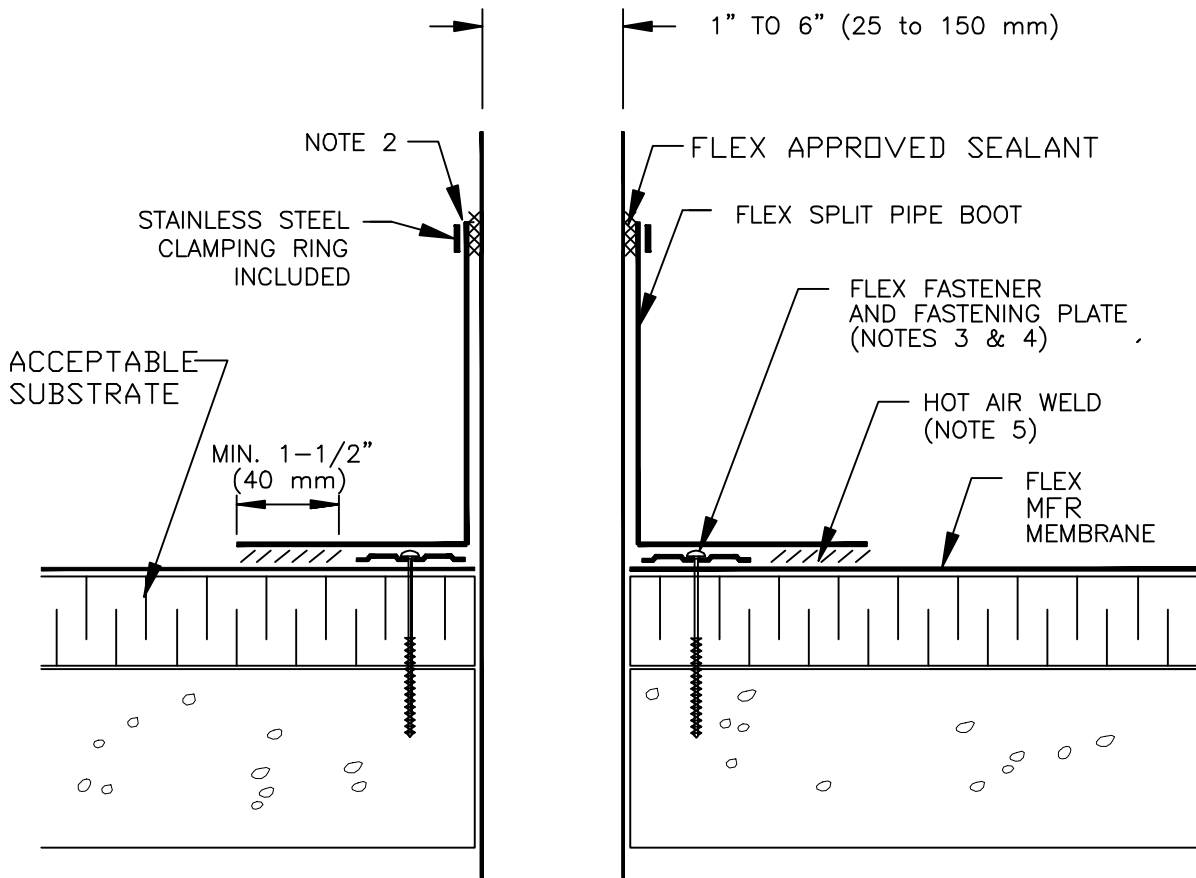
NOTES:

1) PREFABRICATED PIPE FLANGES MAY NOT BE VERTICALLY CUT AND WELDED BACK TOGETHER. IF FLANGE CANNOT BE SLID OVER THE TOP OF THE PIPE, USE METHOD AS DESCRIBED IN DETAIL 4.50 OR 4.70.

2) A MINIMUM OF 4 FLEX PLATES AND FASTENERS ARE TO BE INSTALLED AROUND THE BASE OF THE PIPE

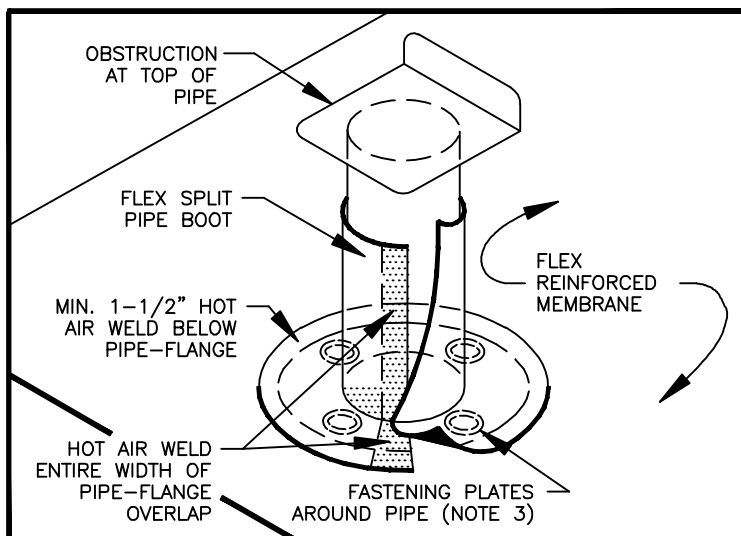
3) FLEX TPO: FLEX TPO CUT EDGE SEALANT IS REQUIRED ON ALL NON FACTORY CUT EDGES OF FLEX TPO

| | | | |
|-------------------------------|--|--|--------------|
| TITLE | | PREFABRICATED VENT PIPE FLASHING | |
| NAME | | DETAIL NO. 4.60 | |
| DRAWN BY: | | SK | DATE: 2/2018 |
| APPLICABLE TO ALL FLEX | | | |
| MECHANICALLY ATTACHED SYSTEMS | | | |
| FLEX MEMBRANE INTERNATIONAL | | 2670 LEISCZ'S BRIDGE RD. LEESPORT, PA 19533 800-969-0108 FlexRoofingSystems.com | |

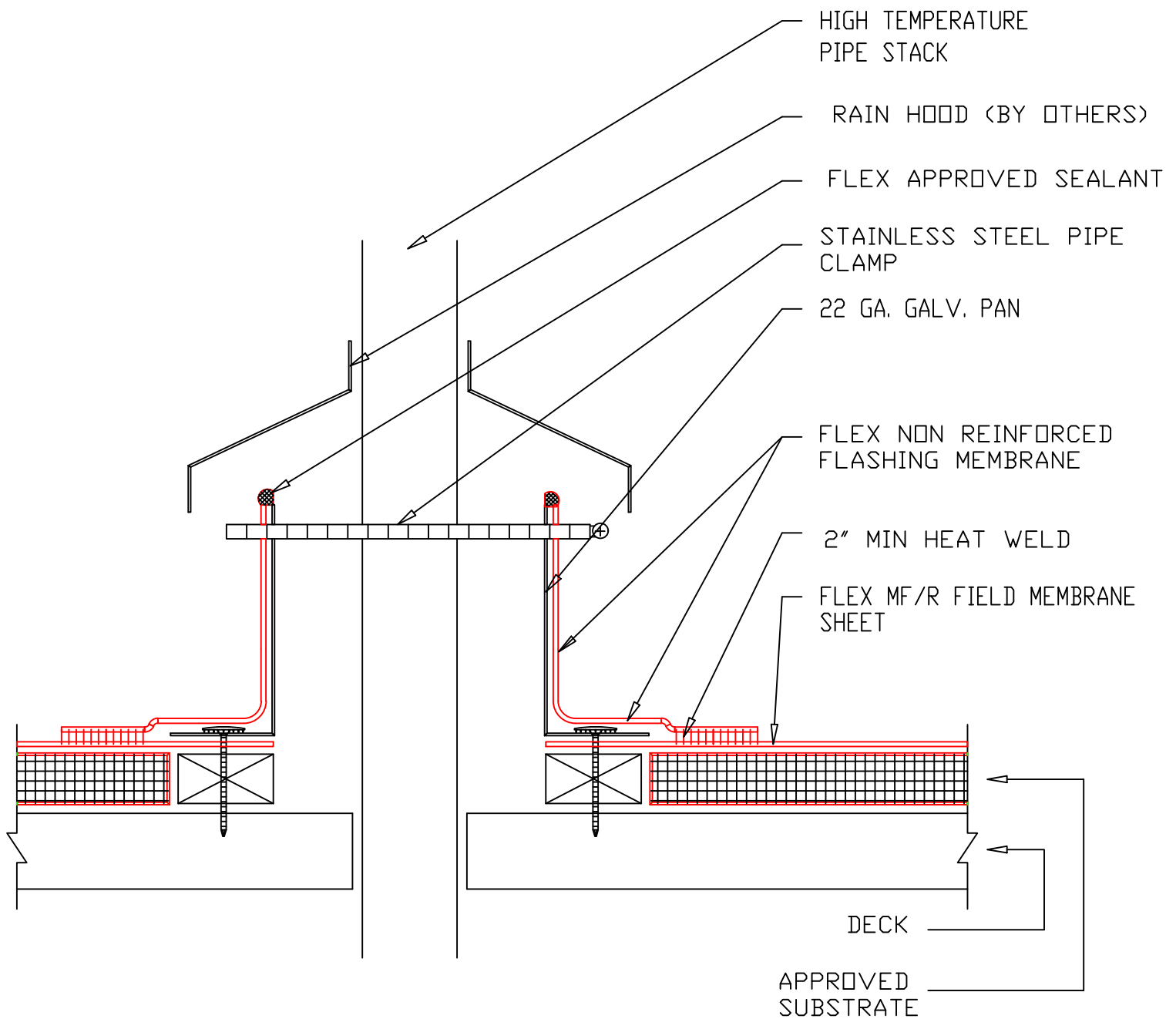


NOTES:

- 1) REMOVE ALL LEAD AND OTHER FLASHING.
- 2) TEMPERATURE OF PIPE MUST NOT EXCEED 120F (49C.)
- 3) INSTALL 4 FASTENERS AND PLATES AROUND PIPE EQUALLY SPACED. FASTENERS MAY ALSO BE POSITIONED MAXIMUM 12" FROM PIPE. FASTENED 12" ON CENTER AND FLASHED WITH FLEX REINFORCED MEMBRANE. FASTENERS/PLATES ARE REQUIRED
- 4) IF PLATES CANNOT BE INSTALLED AS SHOWN, THEY CAN BE POSITIONED OUTSIDE THE PIPE FLASHING FLANGE.
- 5) PIPE FLASHING DECK FLANGE MUST BE HOT AIR WELDED A MINIMUM OF 1-1/2" BEYOND FASTENING PLATES.
- 6) FLEX TPO: FLEX TPO CUT EDGE SEALANT IS REQUIRED ON ALL NON FACTORY CUT EDGES OF FLEX TPO



| | | |
|-----------------------------------|--|-----------------|
| TITLE | SPLIT PIPE BOOT | |
| NAME | DETAIL NO. 4.70 | |
| DRAWN BY: | SK | DATE: 2/2018 |
| APPLICABLE TO ALL FLEX | | |
| MECHANICALLY ATTACHED SYSTEMS | | |
| FLEX MEMBRANE INTERNATIONAL | 2670 LEISCZ'S BRIDGE RD. LEESPORT, PA 19533 800-969-0108 FlexRoofingSystems.com | |

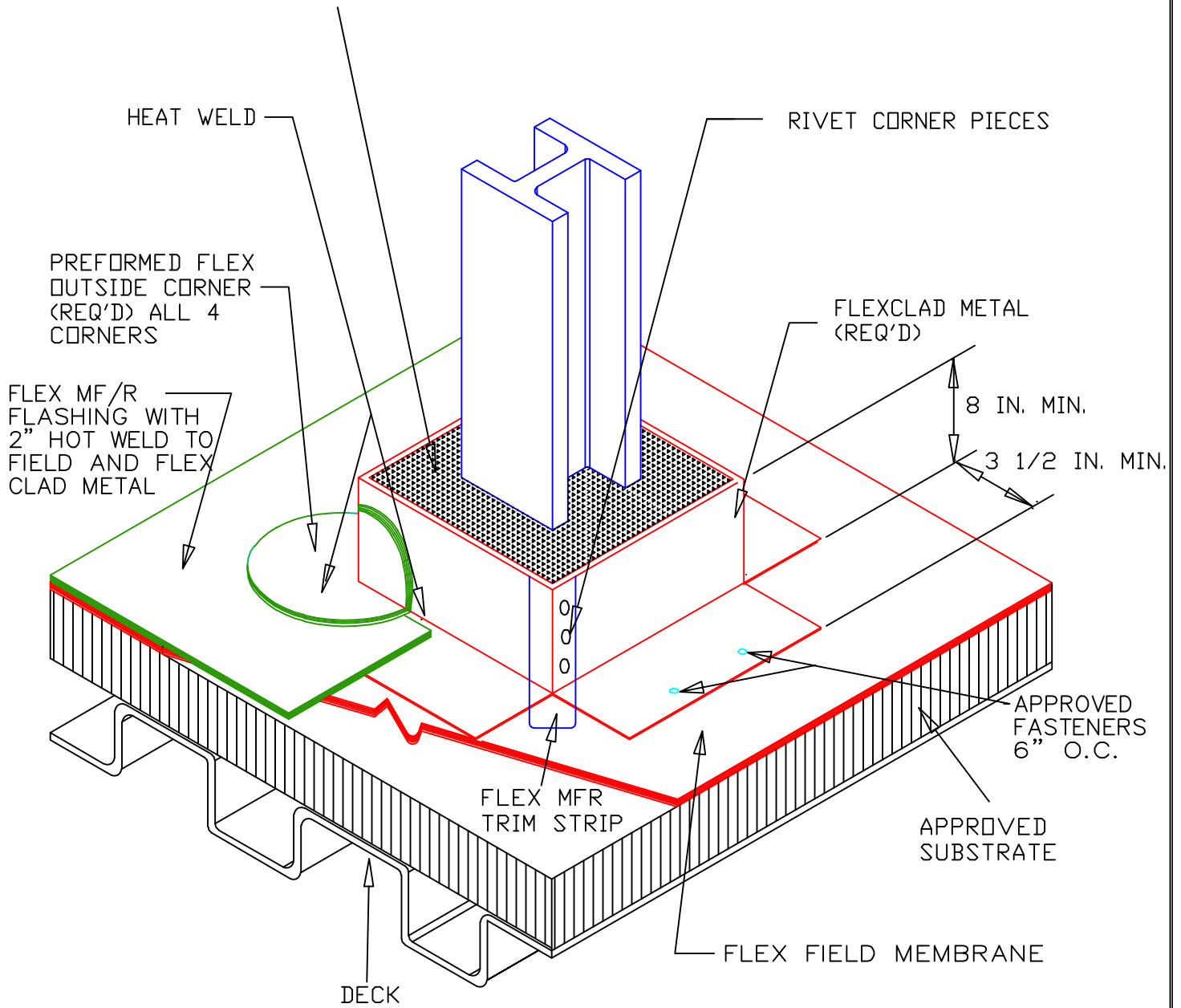


NOTES:
 THIS DETAIL IS TO BE USED WHEN TEMPERATURE OF STACK EXCEED 140F. COVER ANY ASPHALT RESIDUE ON PIPE WITH ALUMINUM TAPE PRIOR TO INSTALLING MEMBRANE.

FLEX TPO: FLEX TPO CUT EDGE SEALANT IS REQUIRED ON ALL NON FACTORY CUT EDGES OF FLEX TPO

| | | |
|-------------------------------|---|--------------|
| TITLE | HIGH TEMPERATURE PIPE FLASHING | |
| NAME | DETAIL NO. 4.80 | |
| DRAWN BY: | SK | DATE: 7/2019 |
| APPLICABLE TO ALL FLEX | | |
| MECHANICALLY ATTACHED SYSTEMS | | |
| FLEX MEMBRANE INTERNATIONAL | 2670 LEISCZ'S BRIDGE RD. LEESPORT, PA 19533 800-969-0108 FlexRoofingSystems.com | |

FILL PAN W/ FLEX POURABLE SEALER
OVER NON SHRINK GROUT



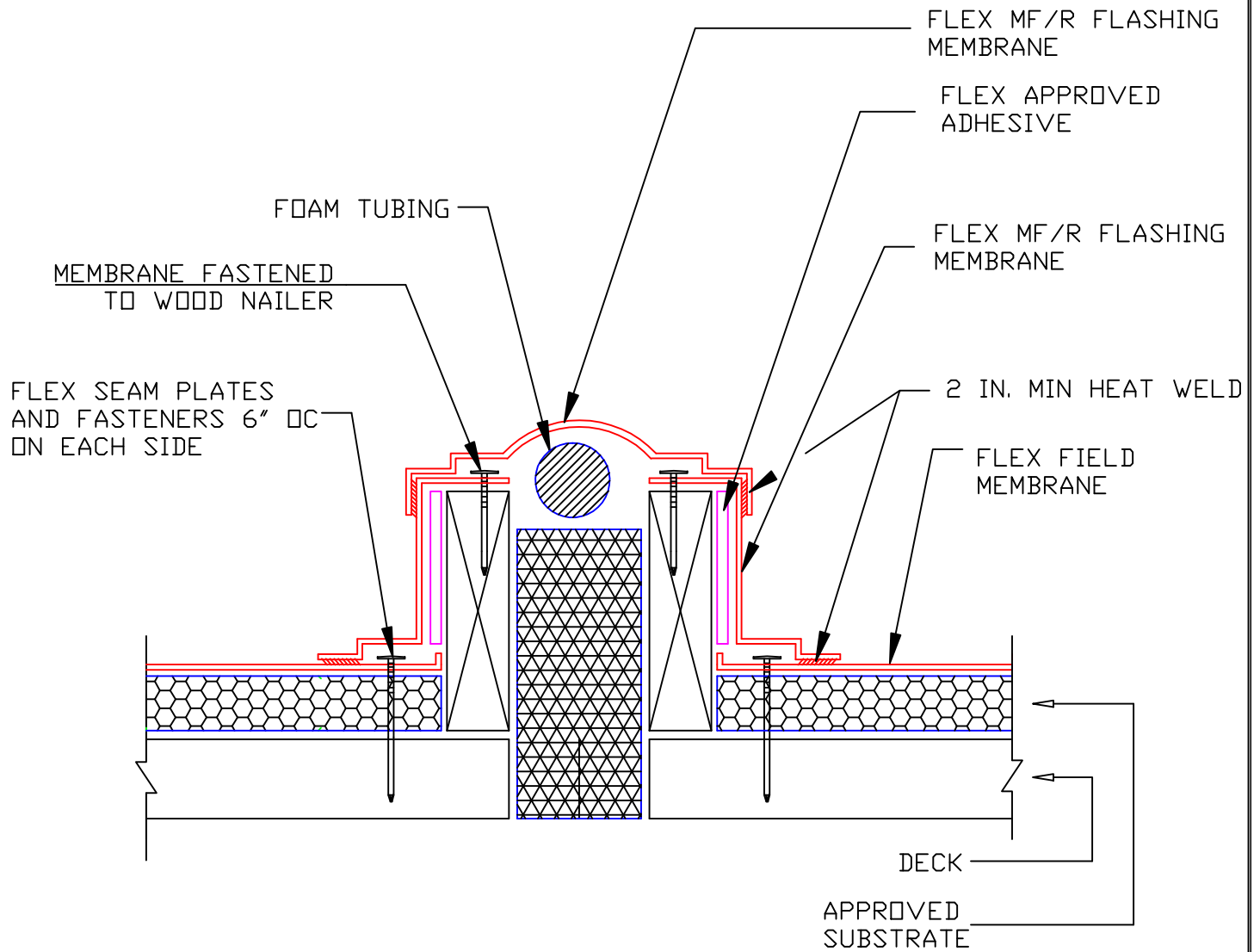
NOTES:

1) POURABLE SEALER AND CAULKINGS ARE MAINTENANCE ITEMS AND ARE NOT COVERED BY THE FLEX WARRANTY.

2) FLEX PLATES AND FASTENERS ARE REQUIRED TO BE INSTALLED IN THE FIELD MEMBRANE AT THE BASE OF THE PITCH PAN. MIN 4 ASSEMBLIES.

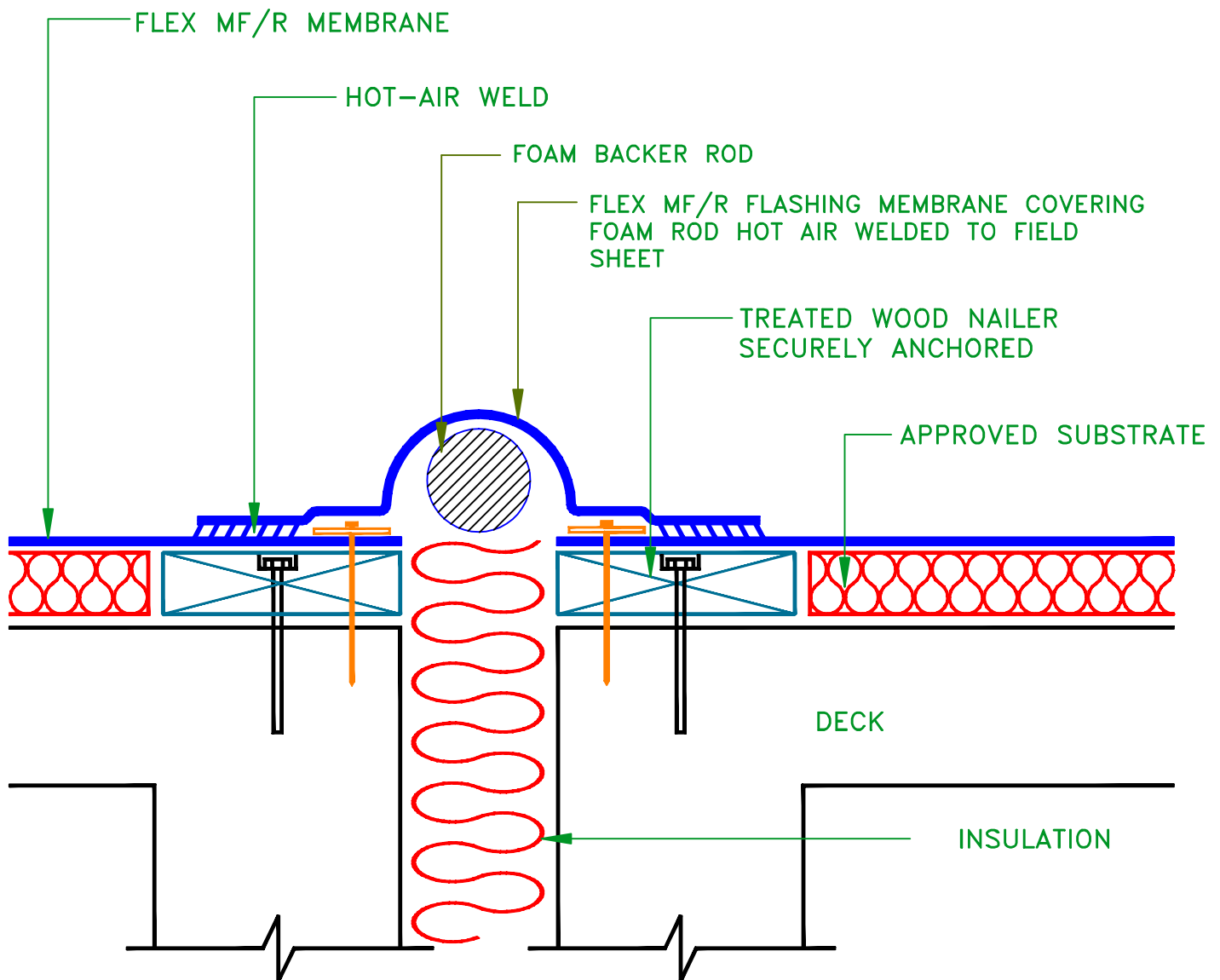
3) FLEX TPO: FLEX TPO CUT EDGE SEALANT IS REQUIRED ON ALL NON FACTORY CUT EDGES OF FLEX TPO

| | | |
|-----------------------------------|--|-----------------|
| TITLE | FLEXCLAD PITCH PAN DETAIL | |
| NAME | DETAIL NO. 4.90 | |
| DRAWN BY: | SK | DATE: 2/2018 |
| APPLICABLE TO ALL FLEX | | |
| MECHANICALLY ATTACHED SYSTEMS | | |
| FLEX MEMBRANE INTERNATIONAL | 2670 LEISCZ'S BRIDGE RD. LEESPORT, PA 19533 800-969-0108 FlexRoofingSystems.com | |



NOTES: FLEX TPO; FLEX TPO CUT EDGE SEALANT IS REQUIRED ON ALL NON FACTORY CUT EDGES OF FLEX TPO

| | |
|-------------------------------|--|
| TITLE | |
| CURB STYLE EXPANSION JOINT | |
| NAME | |
| DETAIL NO. 5.10 | |
| DRAWN BY | DATE |
| SK | 1/2018 |
| APPLICABLE TO ALL FLEX | |
| MECHANICALLY ATTACHED SYSTEMS | |
| FLEX MEMBRANE INTERNATIONAL | 2670 LEISCZ'S BRIDGE RD. LEESPORT, PA 19533 800-969-0108 FlexRoofingSystems.com |

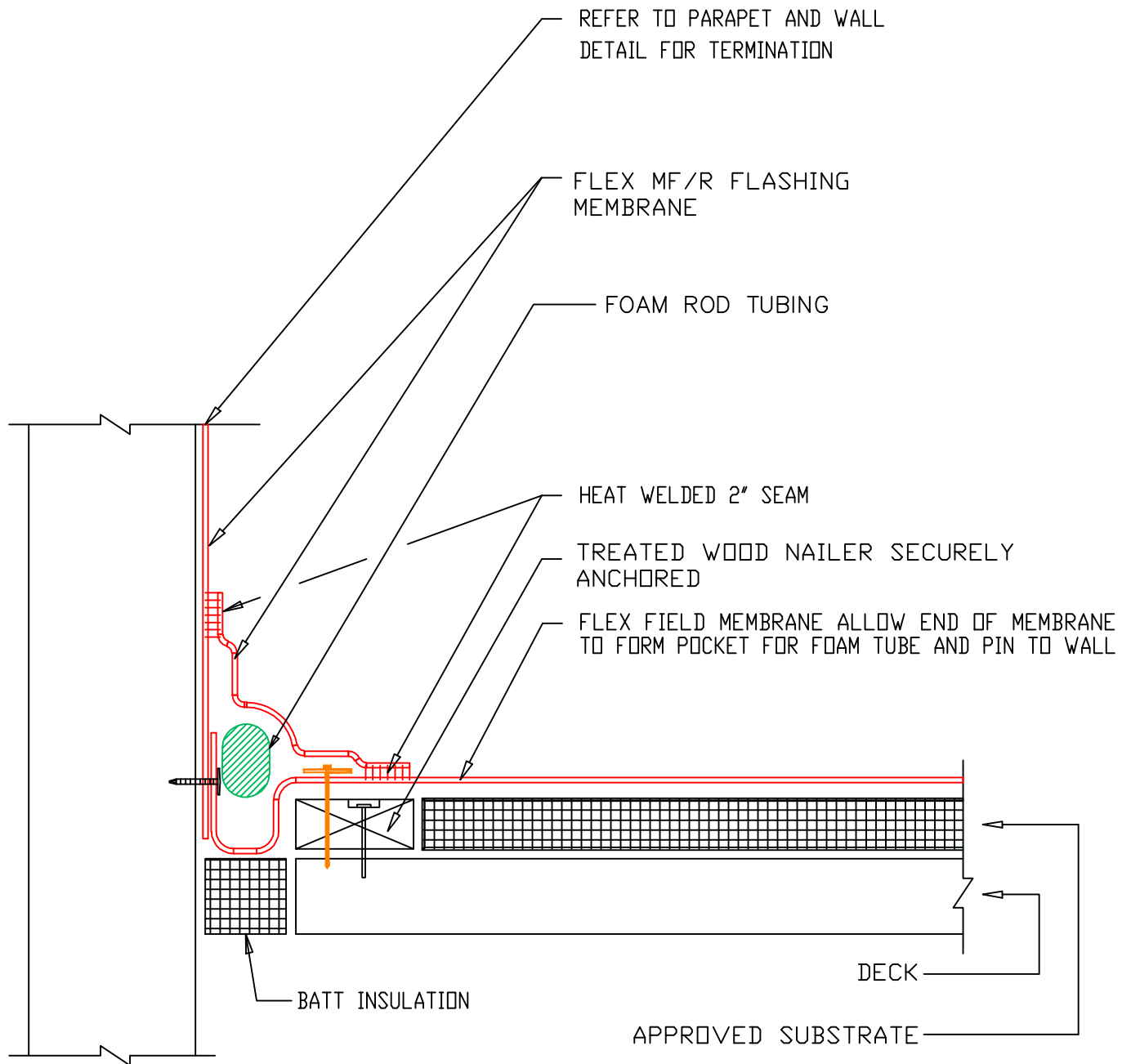


NOTES:

1) NAILERS SHALL BE SECURELY ANCHORED TO THE DECK TO RESIST A FORCE OF 300 POUNDS PER LINEAL FOOT IN ANY DIRECTION.

2) FLEX TPO: FLEX TPO CUT EDGE SEALANT IS REQUIRED ON ALL NON FACTORY CUT EDGES OF FLEX TPO

| | |
|-----------------------------------|--|
| TITLE | |
| LOW PROFILE EXPANSION JOINT | |
| NAME | |
| DETAIL NO. 5.20 | |
| DRAWN BY: | DATE: |
| SK | 1/2018 |
| APPLICABLE TO ALL FLEX | |
| MECHANICALLY ATTACHED SYSTEMS | |
| FLEX MEMBRANE INTERNATIONAL | 2670 LEISCZ'S BRIDGE RD. LEESPORT, PA 19533 800-969-0108 FlexRoofingSystems.com |



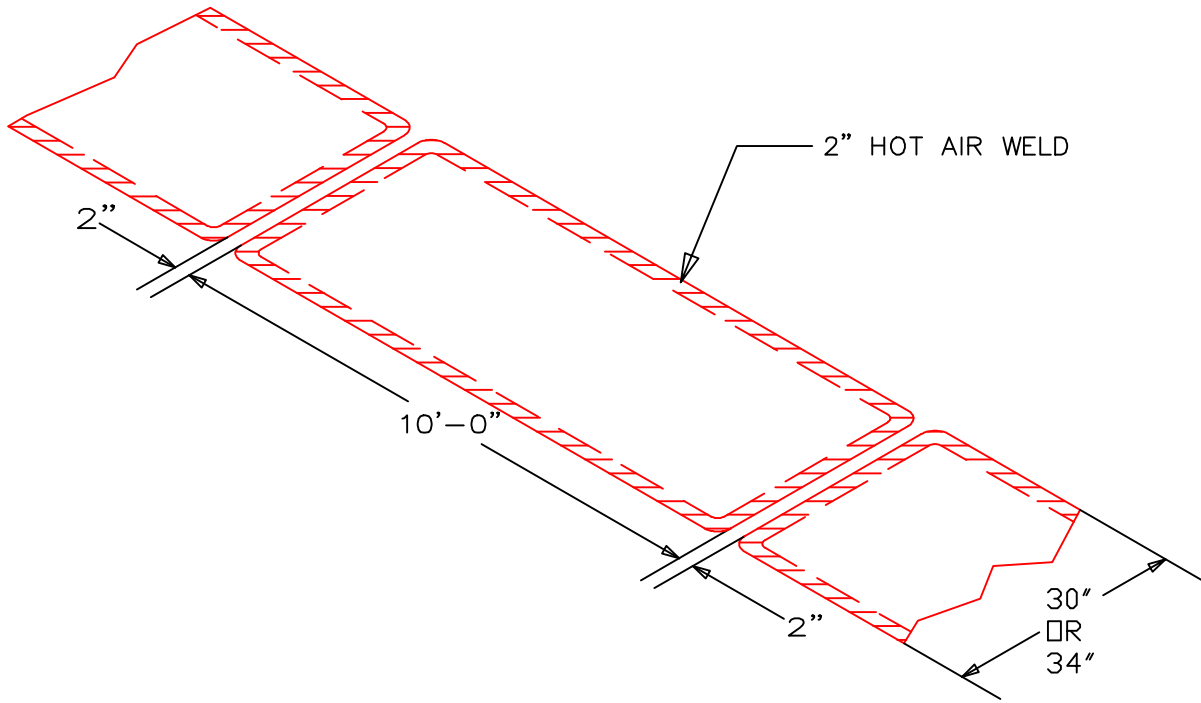
NOTES:

- 1) SPACING AND FASTENING OF NAILERS SHALL CONFORM TO FACTORY MUTUAL LOSS PREVENTION DATA SHEET 1-49
- 2) FLEX TPO: FLEX TPO CUT EDGE SEALANT IS REQUIRED ON ALL NON FACTORY CUT EDGES OF FLEX TPO

| | | |
|-----------------------------------|--|-----------------|
| TITLE | WALL EXPANSION JOINT | |
| NAME | DETAIL NO. 5.30 | |
| DRAWN BY: | SK | DATE: 2/2018 |
| APPLICABLE TO ALL FLEX | | |
| MECHANICALLY ATTACHED SYSTEMS | | |
| FLEX MEMBRANE INTERNATIONAL | 2670 LEISCZ'S BRIDGE RD. LEESPORT, PA 19533 800-969-0108 FlexRoofingSystems.com | |

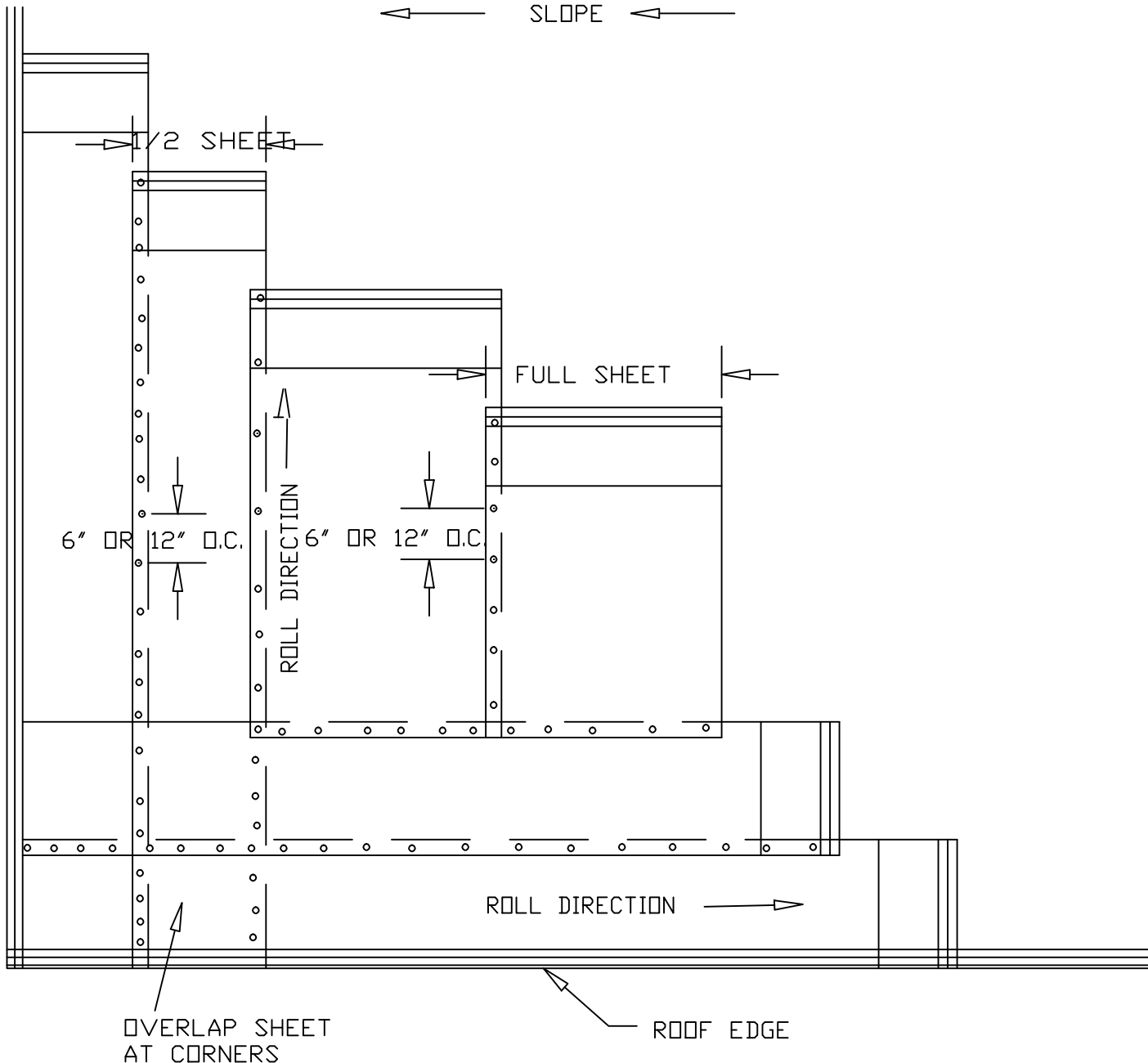
FLEX WALKWAY PAD - PVC 30"X60' ROLL / TPO 34"X50' ROLL

FLEX WALKWAY MATERIAL NOT TO BE INSTALLED IN CONTINUOUS SECTIONS EXCEEDING 10' IN LENGTH. ADHERE WALKWAY TO FIELD MEMBRANE WITH FLEX BONDING ADHESIVE. LEAVE 2" OF WALKWAY PERIMETER FREE OF ADHESIVE. HOT AIR WELD THE 2" EDGE TO THE FLEX FIELD MEMBRANE.



| | |
|-----------------------------------|--|
| TITLE | |
| WALKWAY PAD | |
| NAME | |
| DETAIL NO. 5.40 | |
| DRAWN BY: | DATE: |
| SK | 2/2018 |
| APPLICABLE TO ALL FLEX | |
| MECHANICALLY ATTACHED SYSTEMS | |
| FLEX MEMBRANE INTERNATIONAL | 2670 LEISCZ'S BRIDGE RD. LEESPORT, PA 19533 800-969-0108 FlexRoofingSystems.com |

← SLOPE ←

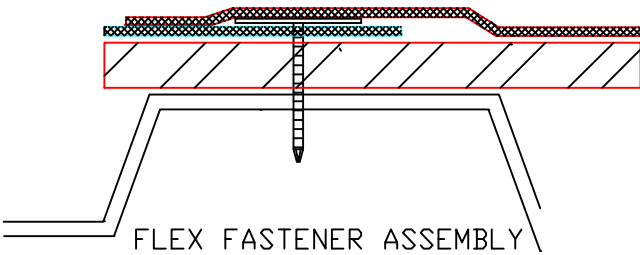


OVERLAP SHEET AT CORNERS

ROOF EDGE

REFER TO SPECIFICATIONS FOR FIELD AND PERIMIETER FASTENER SPACING, SHEET WIDTHS AND NUMBER OF HALF SHEETS

PLACE FASTENER ASSEMBLIES IN ALL LAPS



FLEX FASTENER ASSEMBLY

FASTENER ASSEMBLY LAYOUT
EQUAL TO OR LESS THAN FM 1-75

DETAIL NO. 6.10

DRAWN BY:

SK

DATE:

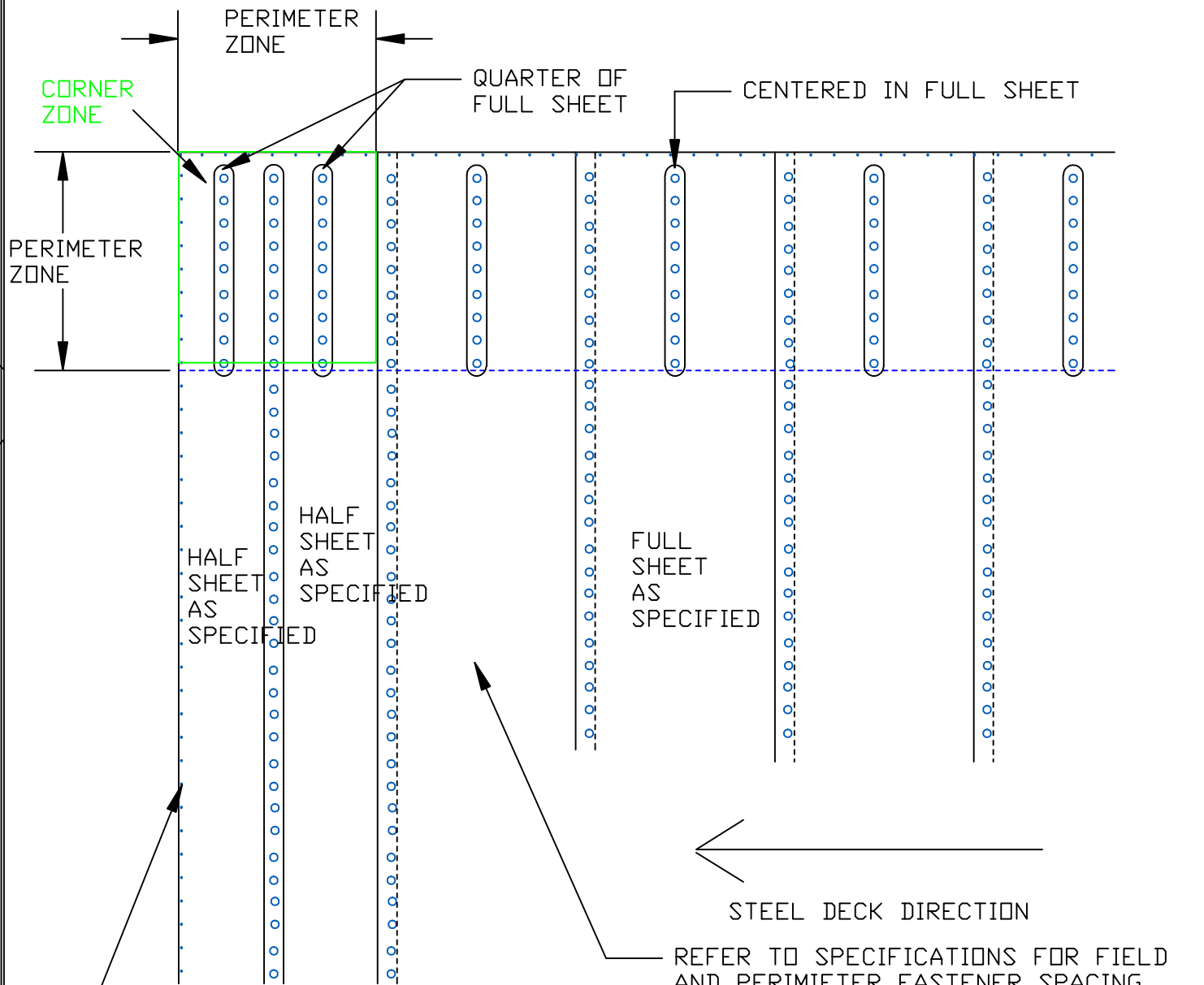
2/2018

APPLICABLE TO ALL FLEX

MECHANICALLY ATTACHED SYSTEMS

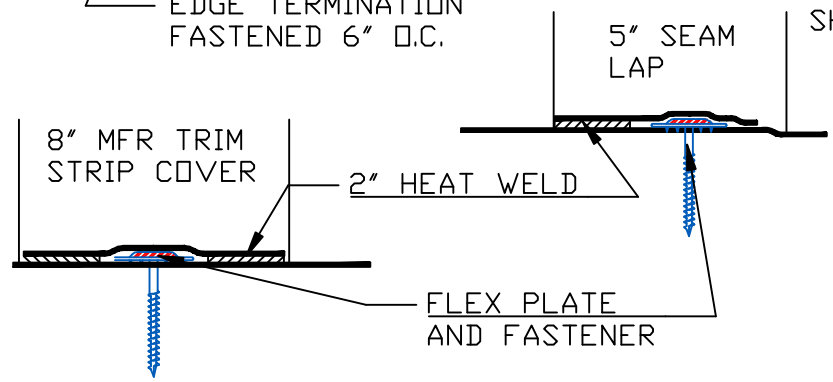
FLEX
MEMBRANE
INTERNATIONAL

2670 LEISCZ'S BRIDGE RD.
LEESPORT, PA 19533
800-969-0108
FlexRoofingSystems.com



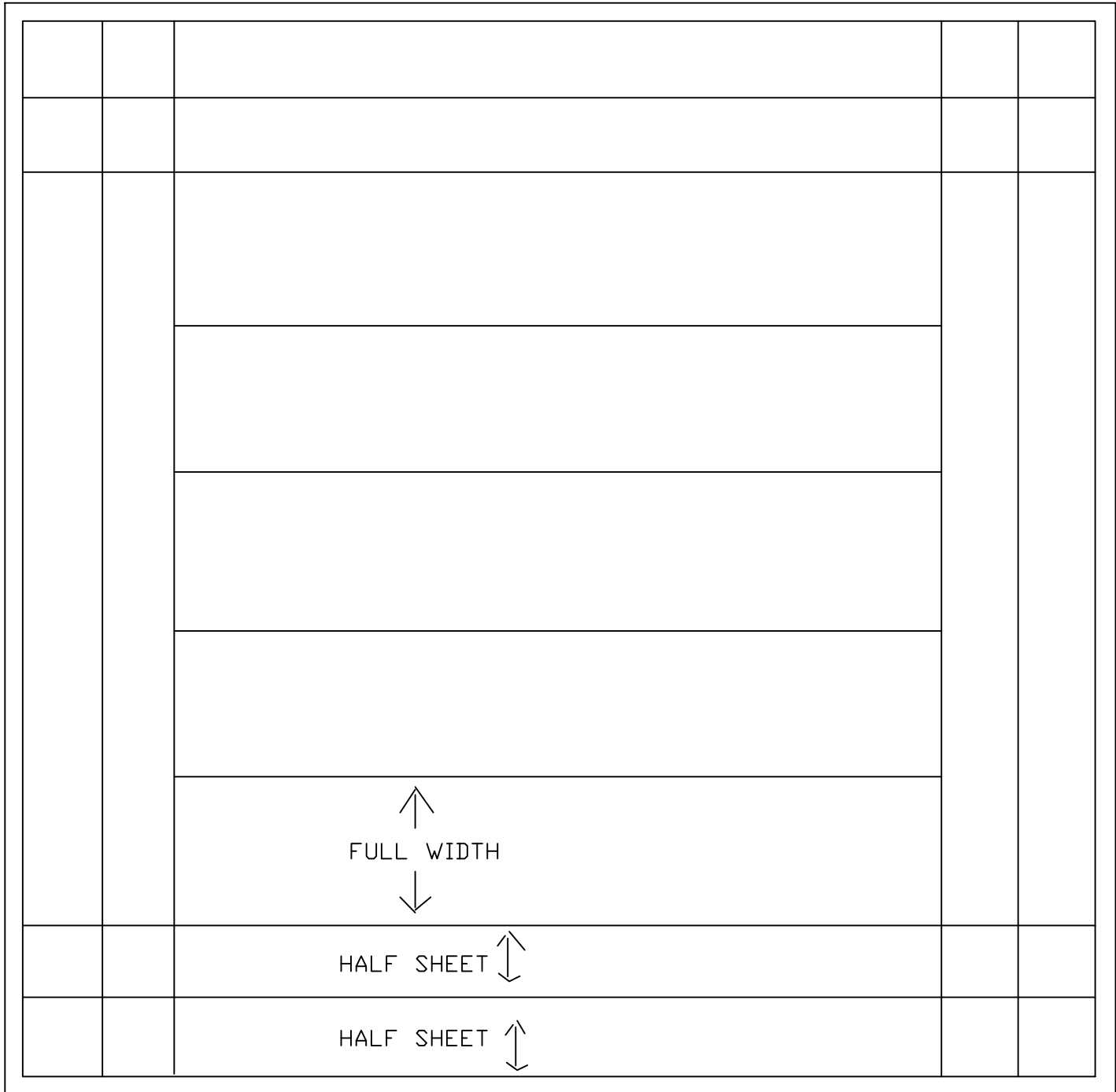
EDGE TERMINATION FASTENED 6" O.C.

REFER TO SPECIFICATIONS FOR FIELD AND PERIMETER FASTENER SPACING, SHEET WIDTHS AND NUMBER OF HALF SHEETS



NOTE: DIMENSION OF PERIMETER OF ROOF EQUALS 10% OF ROOF WIDTH OR 40% OF BUILDING HEIGHT, WHICH EVER IS LESS WITH A MIN. OF 6 FT.

| | |
|---|--|
| FASTENER ASSEMBLY LAYOUT EQUAL OR GREATER THAN FM 1-90 | |
| DETAIL NO. 6.11 | |
| DRAWN BY: SK | DATE: 2/2018 |
| APPLICABLE TO ALL FLEX | |
| MECHANICALLY ATTACHED SYSTEMS | |
| FLEX MEMBRANE INTERNATIONAL | 2670 LEISCZ'S BRIDGE RD. LEESPORT, PA 19533 800-969-0108 FlexRoofingSystems.com |



NOTES:

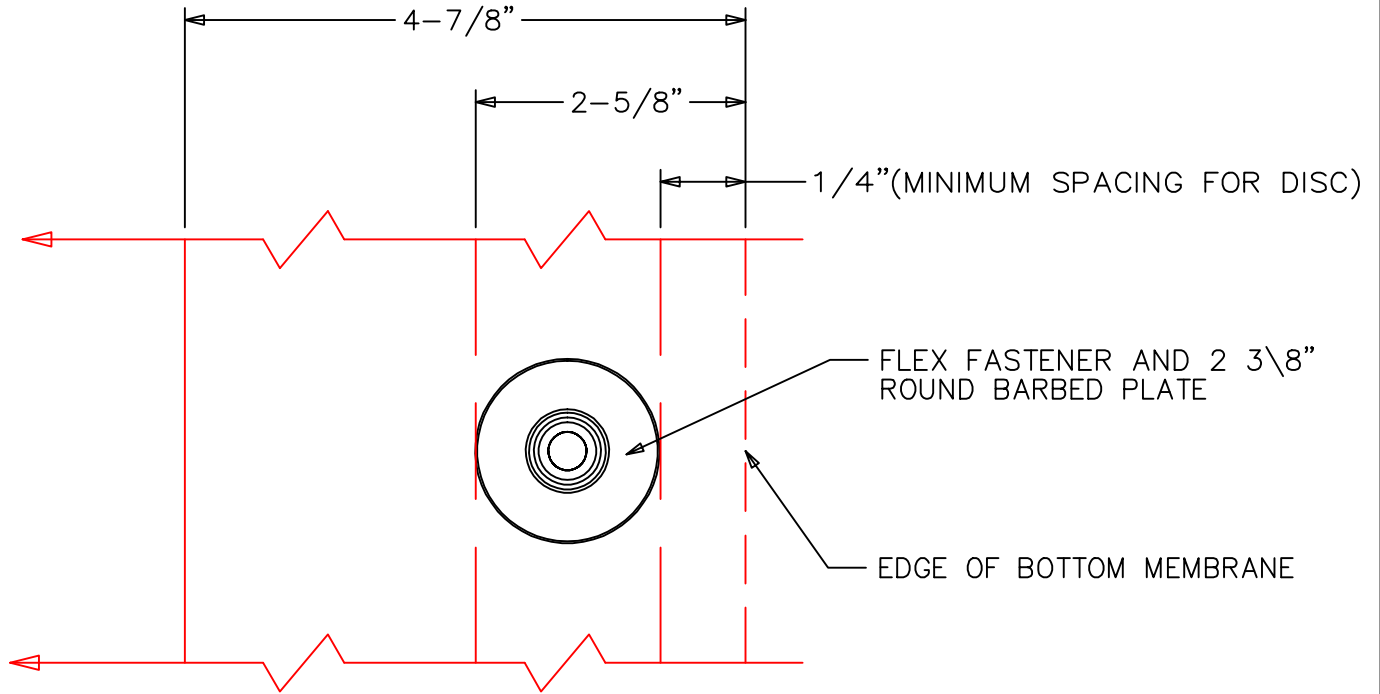
- 1) PICTURE FRAME SHEET TO RUN CONTINUOUS THROUGH ALL CORNERS.

- 2) HIGH VELOCITY WIND ZONES MAY REQUIRE ADDITIONAL ROWS OF HALF ROLLS. CONSULT FLEX TECHNICAL DEPARTMENT.

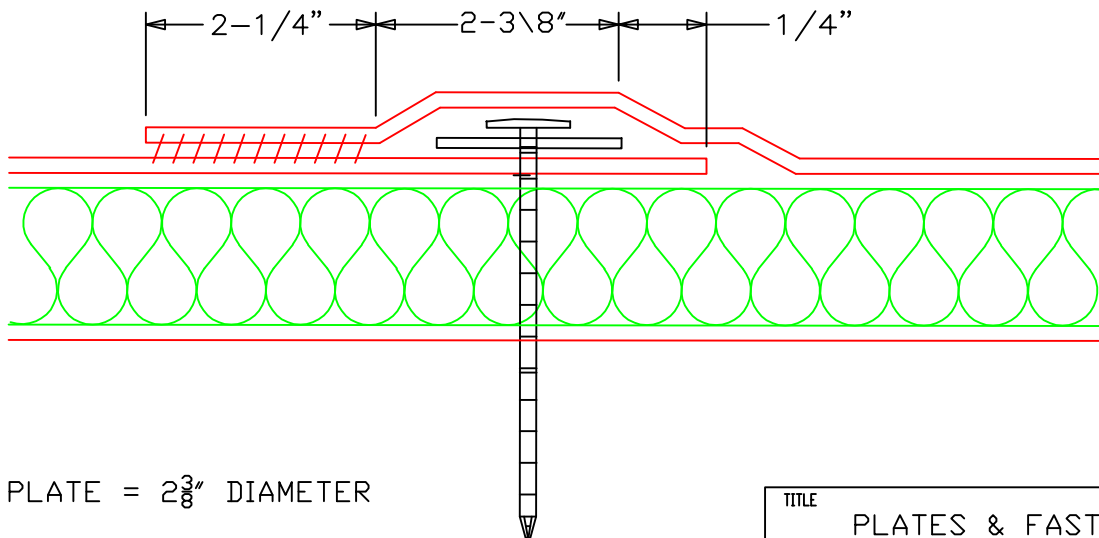
- 3) FASTENER ROWS OF INTERIOR SHEET TO BE PERPENDICULAR TO STEEL DECK RIBS.

- 4) FLEX TPO: FLEX TPO CUT EDGE SEALANT IS REQUIRED ON ALL NON FACTORY CUT EDGES OF FLEX TPO

| | | | |
|-----------------------------------|----|--|--------|
| TITLE | | PICTURE FRAME LAYOUT | |
| NAME | | DETAIL NO. 6.20 | |
| DRAWN BY: | SK | DATE: | 1/2018 |
| APPLICABLE TO ALL FLEX | | | |
| MECHANICALLY ATTACHED SYSTEMS | | | |
| FLEX MEMBRANE INTERNATIONAL | | 2670 LEISCZ'S BRIDGE RD. LEESPORT, PA 19533 800-969-0108 FlexRoofingSystems.com | |



PLANE VIEW

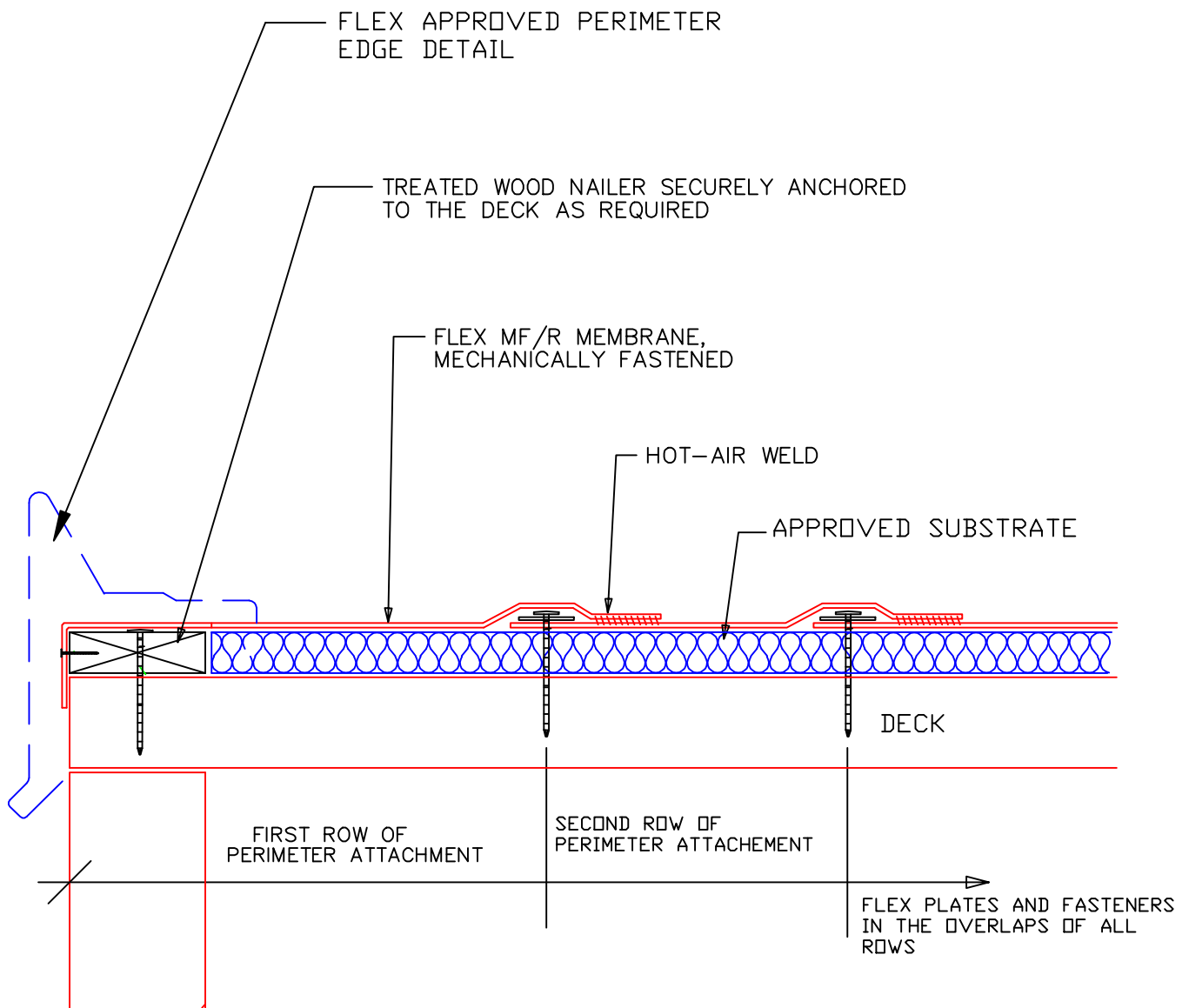


XHD PLATE = $2\frac{3}{8}$ " DIAMETER

SXHD PLATE = $2\frac{3}{4}$ " DIAMETER

NOTE:
 FLEX TPO: FLEX TPO CUT EDGE SEALANT IS
 REQUIRED ON ALL NON FACTORY CUT EDGES
 OF FLEX TPO

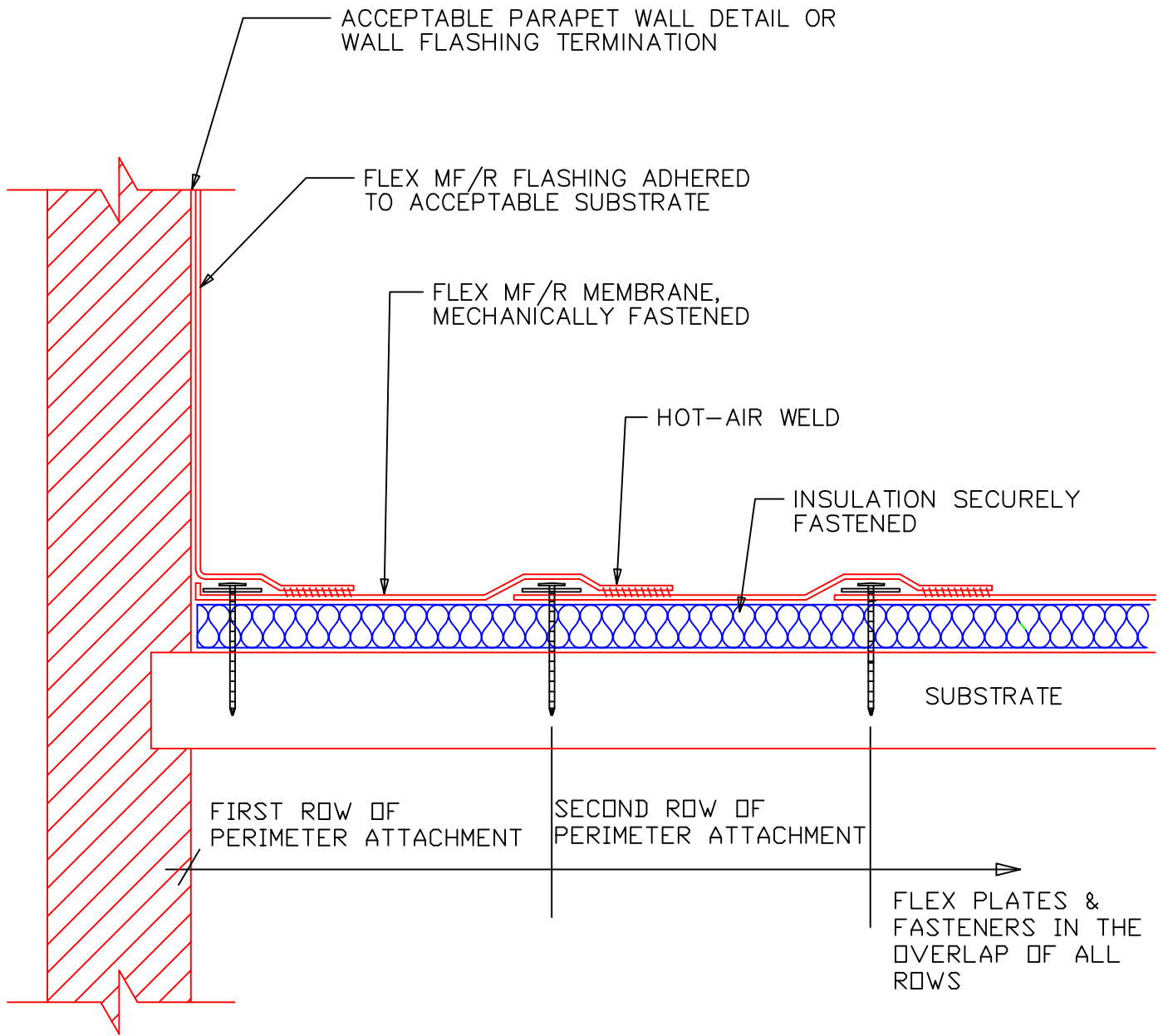
| | | |
|-----------------------------------|--|--------------------|
| TITLE | | PLATES & FASTENERS |
| NAME | | DETAIL NO. 6.30 |
| DRAWN BY: | DATE: | |
| SK | 2/2018 | |
| APPLICABLE TO ALL FLEX | | |
| MECHANICALLY ATTACHED SYSTEMS | | |
| FLEX MEMBRANE INTERNATIONAL | 2670 LEISCZ'S BRIDGE RD. LEESPORT, PA 19533 800-969-0108 FlexRoofingSystems.com | |



NOTES:

- 1) ADDITIONAL PERIMETER HALF SHEETS MAY BE REQUIRED. CONSULT FLEX TECHNICAL DEPARTMENT
- 2) INTERIOR SHEETS ARE TO RUN PERPENDICULAR TO THE DIRECTION OF STEEL AND PLANK DECKS. PERIMETER HALF SHEETS WIDER THEN 3' MAY NOT BE INSTALLED PARALLEL TO THE STEEL DECK RIBS. REFER TO FACTORY MUTUAL DATA SHEET 1-29
- 3) SHINGLE LAPS WITH FLOW OF WATER WHERE POSSIBLE
- 4) FLEX TPO: FLEX TPO CUT EDGE SEALANT IS REQUIRED ON ALL NON FACTORY CUT EDGES OF FLEX TPO

| | | | |
|-------------------------------|--|--|--|
| TITLE | | PERIMETER SHEET EDGE | |
| NAME | | DETAIL NO. 6.40 | |
| DRAWN BY: | | DATE: | |
| SK | | 1/2018 | |
| APPLICABLE TO ALL FLEX | | | |
| MECHANICALLY ATTACHED SYSTEMS | | | |
| FLEX MEMBRANE INTERNATIONAL | | 2670 LEISCZ'S BRIDGE RD. LEESPORT, PA 19533 800-969-0108 FlexRoofingSystems.com | |



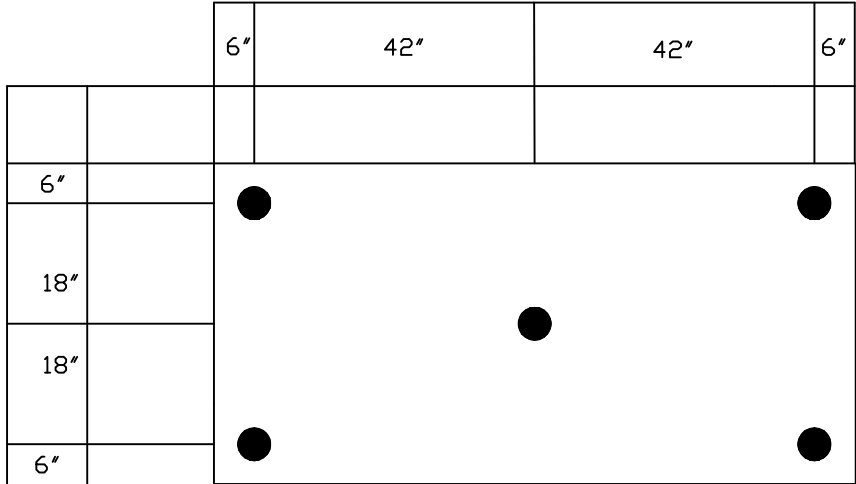
NOTES:

1) ADDITIONAL PERIMETER HALF SHEETS MAY BE REQUIRED. CONSULT FLEX TECHNICAL DEPARTMENT.

2) INTERIOR SHEETS ARE TO RUN PERPENDICULAR TO THE DIRECTION OF STEEL AND PLANK DECKS. PERIMETER HALF SHEETS WIDER THEN 3' MAY NOT BE INSTALLED PARALLEL TO THE STEEL DECK RIBS. REFER TO FACTORY MUTUAL DATA SHEET 1-29

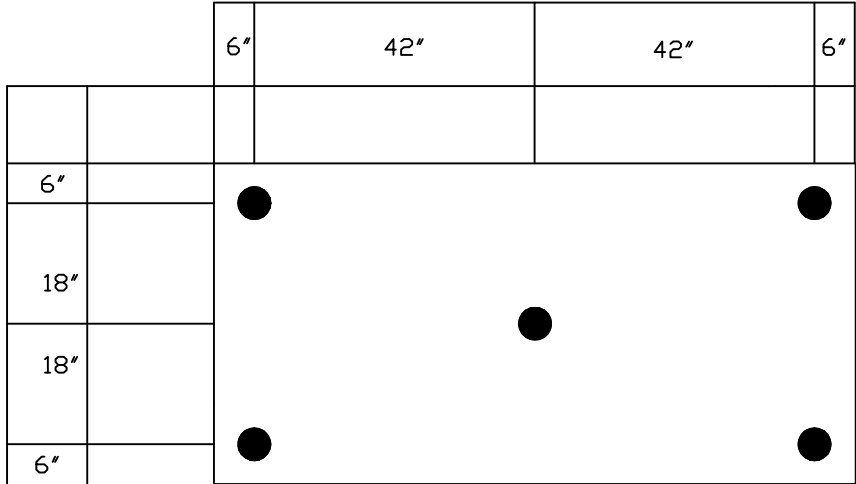
3) SHINGLE LAPS WITH FLOW OF WATER WHERE POSSIBLE.

| | | |
|-----------------------------------|--|----------------------|
| TITLE | | PERIMETER SHEET WALL |
| NAME | | DETAIL NO. 6.50 |
| DRAWN BY: | DATE: | |
| SK | 1/2018 | |
| APPLICABLE TO ALL FLEX | | |
| MECHANICALLY ATTACHED SYSTEMS | | |
| FLEX MEMBRANE INTERNATIONAL | 2670 LEISCZ'S BRIDGE RD. LEESPORT, PA 19533 800-969-0108 FlexRoofingSystems.com | |



4' X 8' FLEX INSULATION OR RECOVER BOARD
 5 FLEX PLATES AND FASTENERS PER BOARD

| | |
|--|--|
| TITLE FLEX INSULATION ATTACHMENT FOR MECHANICALLY ATTACHED SYSTEMS | |
| NAME DETAIL NO. 6.60 | |
| DRAWN BY: SK | DATE: 1/2018 |
| APPLICABLE TO ALL FLEX | |
| MECHANICALLY ATTACHED SYSTEMS | |
| FLEX MEMBRANE INTERNATIONAL | 2670 LEISCZ'S BRIDGE RD. LEESPORT, PA 19533 800-969-0108 FlexRoofingSystems.com |



4' X 8' FLEX INSULATION OR RECOVER BOARD
 5 FLEX PLATES AND FASTENERS PER BOARD

| | |
|---|--|
| <small>TITLE</small> PRE-SECURED INSULATION FASTENING PATTERN | |
| <small>NAME</small> DETAIL NO. 6.60 | |
| <small>DRAWN BY:</small> SK | <small>DATE:</small> 2/2018 |
| APPLICABLE TO ALL FLEX | |
| MECHANICALLY ATTACHED SYSTEMS | |
| FLEX MEMBRANE INTERNATIONAL | 2670 LEISCZ'S BRIDGE RD. LEESPORT, PA 19533 800-969-0108 FlexRoofingSystems.com |