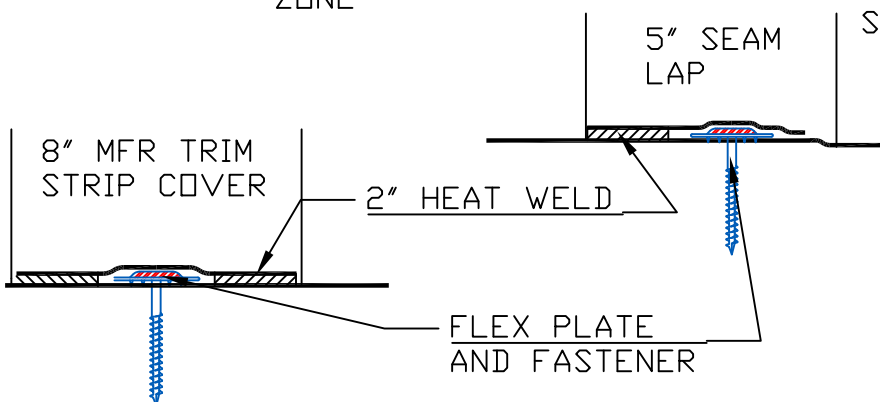


REFER TO SPECIFICATIONS FOR FIELD AND PERIMETER FASTENER SPACING, SHEET WIDTHS AND NUMBER OF HALF SHEETS



NOTE: DIMENSION OF PERIMETER OF ROOF EQUALS 10% OF ROOF WIDTH OR 40% OF BUILDING HEIGHT, WHICH EVER IS LESS WITH A MIN. OF 6 FT.

FASTENER ASSEMBLY LAYOUT
EQUAL OR GREATER THAN FM 1-90

DETAIL 6.11R

DRAWN BY:

MG

DATE:

6/2026

APPLICABLE TO ALL FLEX

MECHANICALLY ATTACHED SYSTEMS

FLEX
MEMBRANE
INTERNATIONAL

5103A Pottsville Pike
Reading, PA 19605
800-969-0108
flexroofingsystems.com