

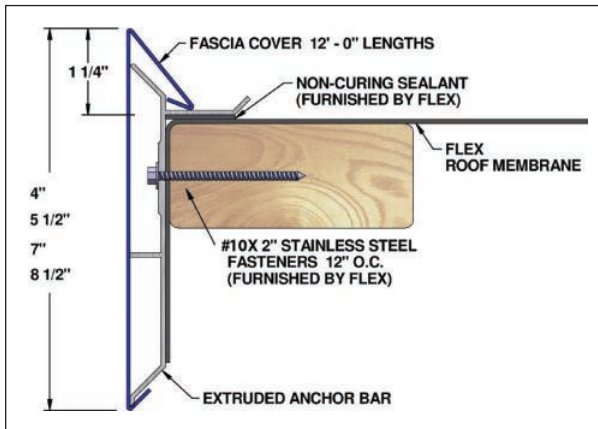
# Flex Roof Edge Systems

Flex Roofing Systems' full system warranties include the Flex roof edge system and ensure complete wind protection from edge to edge. When it comes to protecting your building's roof from wind damage, nothing is more important than the strength of its edge. That's why all of our systems have been tested and proven to provide maximum protection.

- Fast Lead Times
- Quick, Easy Installation
- Full System Warranty

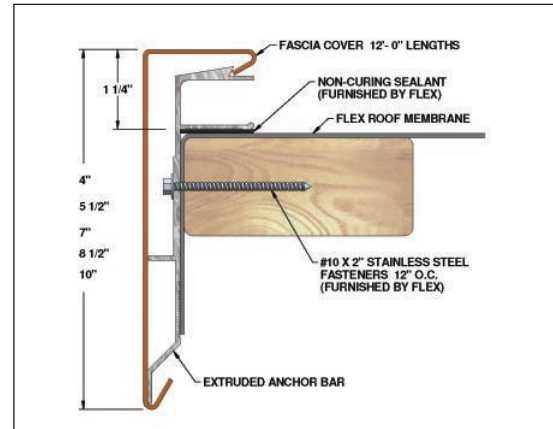
## Flexlock FLE

**Flexlock FLE Roof Edge**  
24 ga. & .040" fascia cover

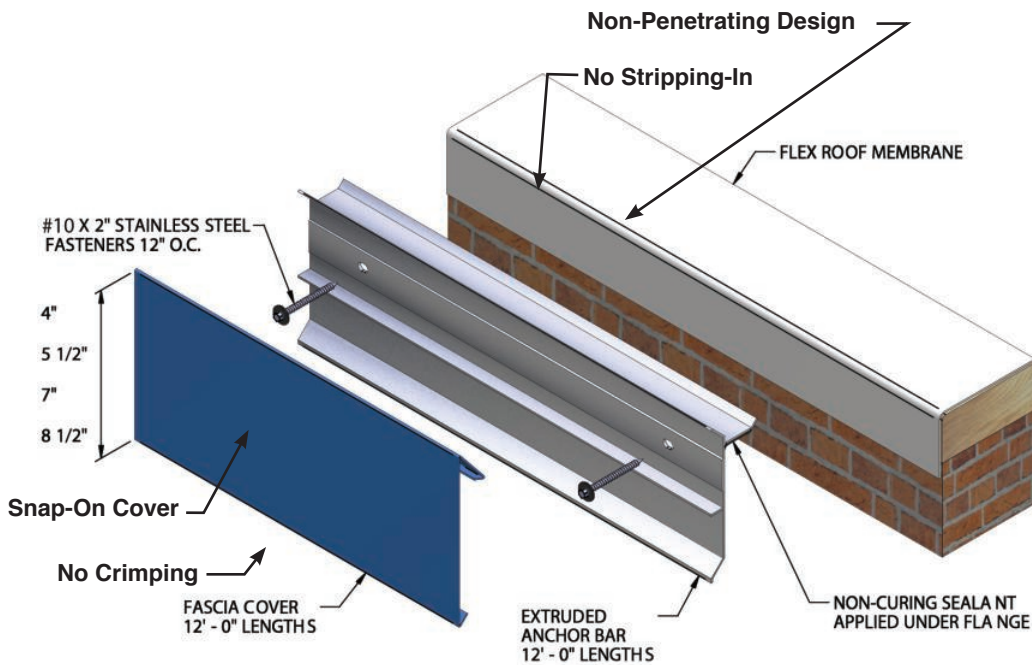


Fully Adhered or Mechanically Attached Single-Ply Version

**Flexlock FLE-HG Roof Edge**  
.050" & .063" fascia cover

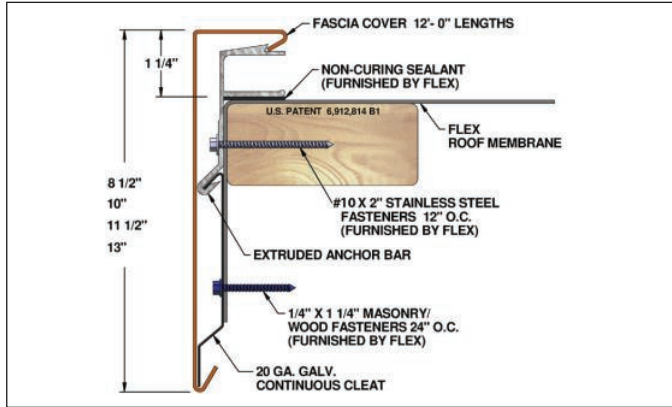


Fully Adhered or Mechanically Attached Single-Ply Version



# Flex™ Roof Edge Systems

## Flexlock FLE Extended Roof Edge .050" & .063" fascia cover



Fully Adhered or Mechanically Attached Single-Ply Version

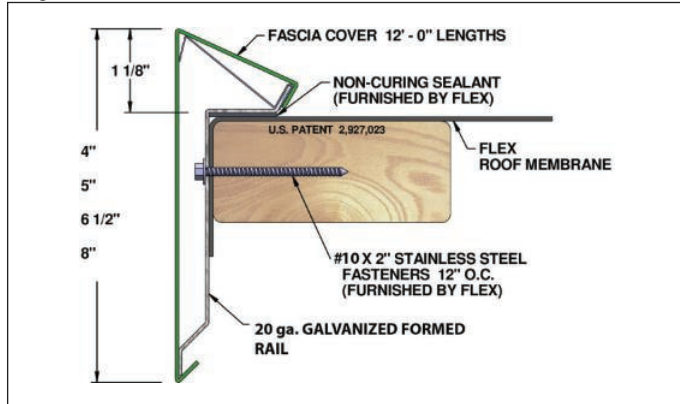
## Installed Flexlock FLE Extended Roof Edge



## Additional Fascia & Coping Solutions

### Flexlock FLT Roof Edge

24 ga., .040", .050" & .063" fascia cover



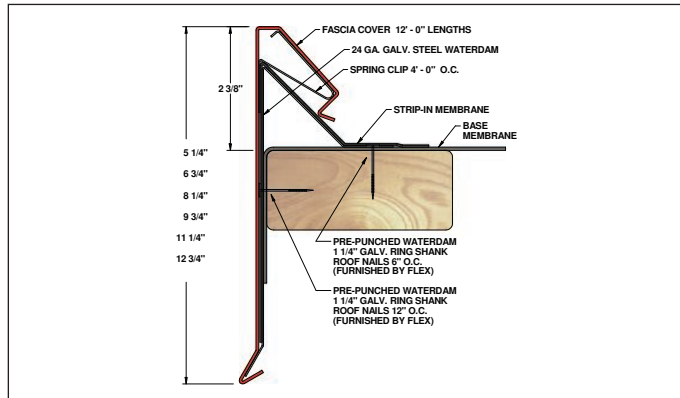
Fully Adhered or Mechanically Attached Single-Ply Version

### Installation is a snap



### Flexlock FLS Roof Edge

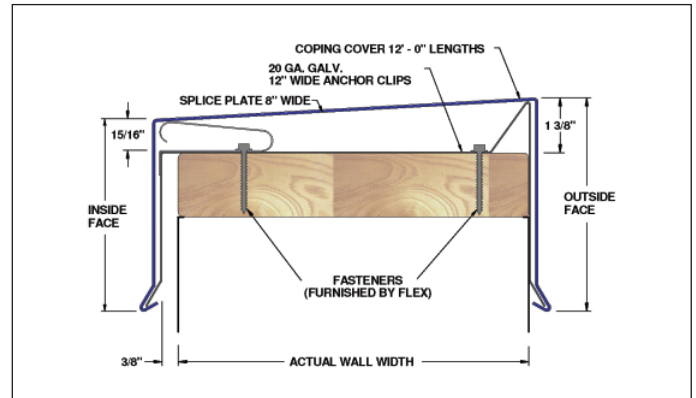
24 ga., .040", .050" & .063" fascia cover



Fully Adhered or Mechanically Attached Single-Ply Version

### Flexcap FLC Coping

24 ga., .040", .050" & .063" coping cover



Tapered Version Flat or Existing Slope Version Available