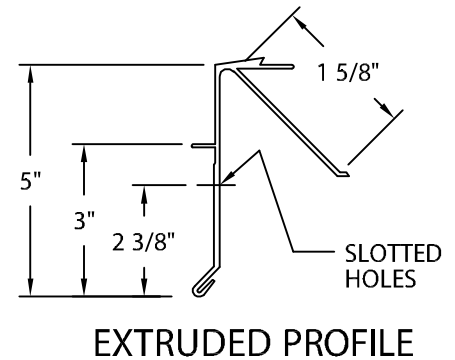
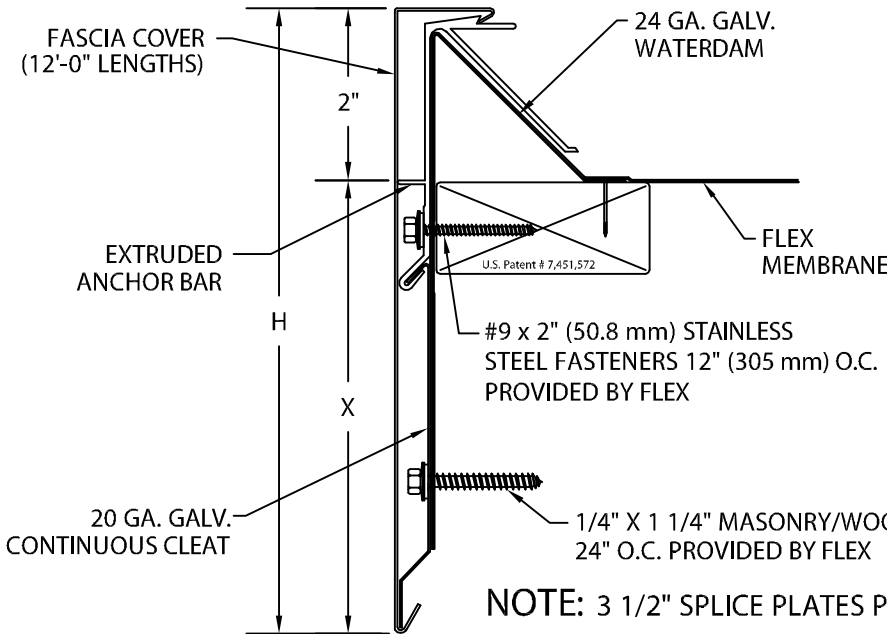




FLEXLOCK FLE EXTENDED CANTED ROOF EDGE

GALVANIZED WATERDAM VERSION

ANSI/SPRI ES-1 DESIGN PRESSURE OF 190 psf



NOTE: 3 1/2" SPLICE PLATES PROVIDED AT ALL JOINTS

Unless otherwise specified 24 ga. galv. waterdam provided.

by Flex by Contractor

FLEXLOCK FLE EXTENDED CANTED ROOF EDGE DIMENSIONS

NOA NO. 08-0604.02
MIAMI-DADE COUNTY, FLORIDA
12/11/13

PRODUCT ID. NO.	H DIM	X DIM
<input type="checkbox"/> AEFC-902	9" (229 mm)	7" (178 mm)
<input type="checkbox"/> AEFC-1052	10 1/2" (267 mm)	8 1/2" (216 mm)
<input type="checkbox"/> AEFC-1202	12" (305 mm)	10" (254 mm)
<input type="checkbox"/> AEFC-1352	13 1/2" (343 mm)	11 1/2" (292 mm)

MATERIAL:

___ .050" (1.27 mm) Aluminum
___ .063" (1.60 mm) Aluminum
___ OTHER _____

Color: _____

Finish: _____

QUANTITIES:

_____ Lineal Feet 12'-0" (3.65 m) Lengths

_____ Outside Miters @ (____°)

_____ Inside Miters @ (____°)

_____ Overflow Scupper Style ___A___B

_____ Spillout Scupper Style ___A___B

_____ Downspout Scupper Style ___A___B

(____X____) Size A: Tapered 1 1/2" Drop
B: Flat

Fabrication will proceed only after receipt of signed print approval.

Print Approval:

Architect and/or contractor shall verify all dimensions, sizes and quantities. All products to be installed in strict accordance with Flex's printed instructions.

Approved by: _____

Date: _____

PROJECT:

ARCHITECT:

ROOFING CONTRACTOR:

REPRESENTATIVE/DISTRIBUTOR:

Customer Service:

Phone: 800-969-0108

Fax: 610-916-9501



DATE: 10/11/11

DRN BY: JJC

CKD BY: SAK

SHT.# ___ OF ___

DWG# 28010-14420

A