



Flexlock FLE Extended Roof Edge

Fully Adhered or Mechanically Attached Single-Ply Version

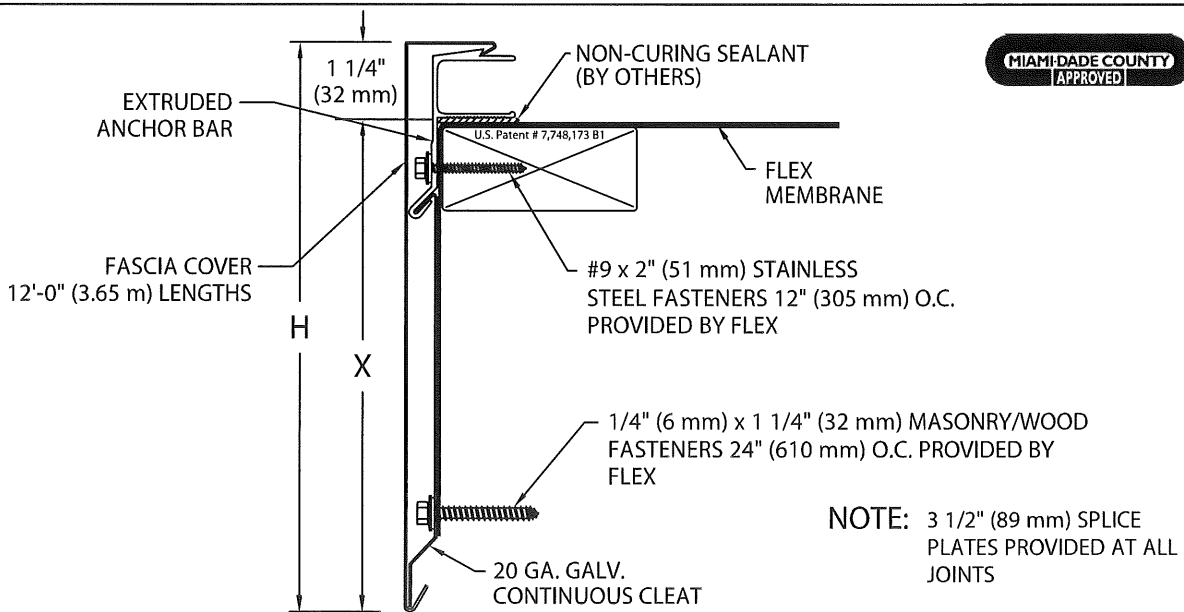
Warranty:	The entire roof system is covered under one warranty and inspected after the project is complete to assure proper installation. The system is inspected after the project is complete to assure proper installation. This ensures protection for the most vulnerable area of the roof against failure due to extreme wind up lift pressures.
Testing:	<ul style="list-style-type: none">• Tested per ANSI/SPRI ES-1 Standard to a design pressure of 190 lbs./ft² to comply with the International Building Code.• Factory Mutual 1-270 approved for wind up lift protection.• Miami-Dade Approved (No. 08-0604.02 12/11/13) to comply with the "High Velocity Hurricane Zone of the Florida Building Code".
Standard Sizes:	Sizes range from 8 ½" up to 13" face heights to accommodate multiple nailers and coverage requirements. <ul style="list-style-type: none">• 8 ½"• 10"• 11 ½"• 13"
Anchor Bar Protection:	The patented, extruded aluminum anchor bar securely terminates the membrane. This provides protection unlike any other manufactured or shop-fabricated edge. The anchor bar is readily available to dry-in the roof structure.
Available Materials:	Covers can be manufactured in .050" and .063" aluminum.
Splice Plates:	Interlocking, concealed splice plate design prevents splice plate migration under the fascia panels. This creates a more aesthetically pleasing design compared to traditional cover plates or lap joints at the seams.
Watertight:	Its non-penetrating design eliminates the need for stripping-in or heat welding that is typical of many other roof edge designs. Watertight integrity is not compromised by improper flashing procedures, failed adhesives or lap sealants.
Competitively Priced:	The installed cost rivals even light gauge roof edge systems fabricated locally or in a roofer's shop.
Efficient Design:	The product is provided in 12'-0" lengths with pre-punched holes for quicker installation and lower labor costs. The fastening holes are slotted to allow for proper thermal movement of the materials and ensure correct fastener placement and spacing.
Colors:	Choose among a wide range of standard colors and finishes that meet your job requirements. A 20 year Kynar 500® finish warranty is included on standard colors. Custom post-coated Kynar 500 colors are available with an included 10 year Kynar 500 finish warranty or a 20 year Kynar 500 finish warranty is available upon request. Anodized finishes are also available, but are not warranted.
Custom Capabilities:	Radius and specially fabricated products are available to meet the unique needs of each project.
Accessories:	Factory fabricated miters, scuppers and drainage accessories provide a cleaner, more aesthetically pleasing appearance. This eliminates the need for field fabrication, providing time and labor savings.
Also Included:	All anchor bar EPDM splice plates and fasteners are included and will arrive to the job site with the product (sealant by others).
Reusable/Recyclable Material:	When reroofing the anchor bar can be removed, cleaned and reinstalled at any time without compromising its strength and appearance.



FLEXLOCK FLE EXTENDED ROOF EDGE

FULLY ADHERED OR MECHANICALLY ATTACHED SINGLE-PLY VERSION

ANSI/SPRI ES-1 DESIGN PRESSURE OF 190 psf



Fascia is to be installed per Specifications and Flex's Installation Instructions Dwg. # 28110-3452

FLEXLOCK FLE EXTENDED ROOF EDGE DIMENSIONS

NOA NO. 08-0604.02
MIAMI-DADE COUNTY, FLORIDA
12/11/13

PRODUCT ID. NO.	H DIM	X DIM
<input type="checkbox"/> AEF-85	8 1/2" (216 mm)	7 1/4" (184 mm)
<input type="checkbox"/> AEF-100	10" (251 mm)	8 3/4" (222 mm)
<input type="checkbox"/> AEF-115	11 1/2" (292 mm)	10 1/4" (260 mm)
<input type="checkbox"/> AEF-130	13" (330 mm)	11 3/4" (298 mm)

MATERIAL:

___ .050" (1.27 mm) Aluminum
 ___ .063" (1.60 mm) Aluminum
 ___ OTHER _____
 Color: _____
 Finish: _____

Fabrication will proceed only after receipt of signed print approval.

Print Approval:

Architect and/or contractor shall verify all dimensions, sizes and quantities. All products to be installed in strict accordance with Flex's printed instructions.

Approved by: _____

Date: _____

QUANTITIES:

_____ Lineal Feet (12'-0" (3.65 m) Lengths)
 _____ Outside Miters @ (____°)
 _____ Inside Miters @ (____°)
 _____ Overflow Scupper Style ___A___B
 _____ Spillout Scupper Style ___A___B
 _____ Downspout Scupper Style ___A___B
 (___X___) Size A: Tapered 1 1/2" (38 mm) Drop
 B: Flat

PROJECT: _____
 ARCHITECT: _____
 ROOFING CONTRACTOR: _____
 REPRESENTATIVE/DISTRIBUTOR: _____

Customer Service:
 Phone: 800-969-0108
 Fax: 610-916-9501



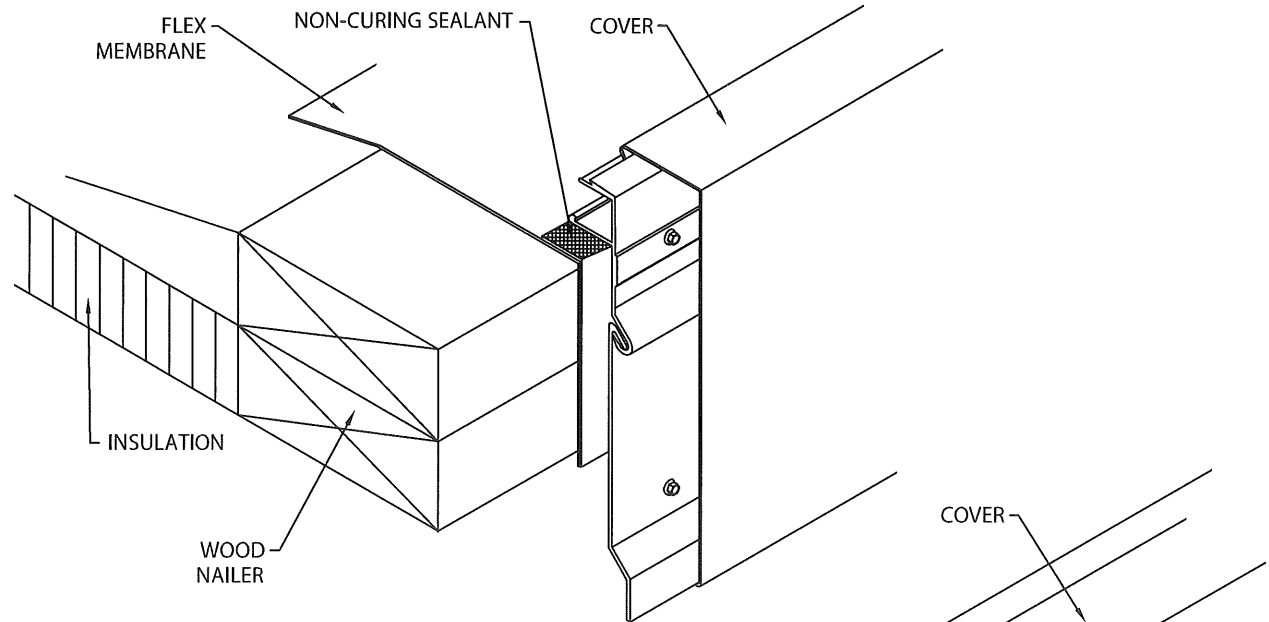
DATE: 12/13/10 SHT.# ___ OF ___
 DRN BY: JJC
 CKD BY: SAK DWG# 28010-3170 E



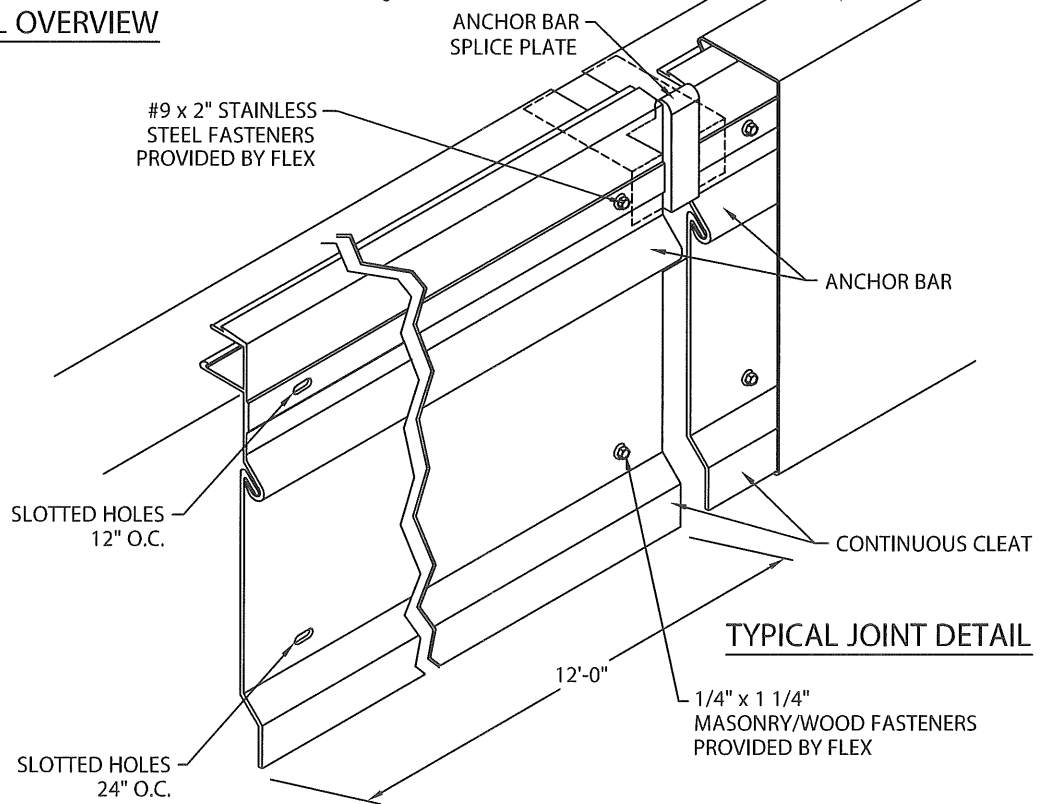
FLEXLOCK FLE EXTENDED ROOF EDGE

FULLY ADHERED OR MECHANICALLY ATTACHED SINGLE-PLY VERSION

DETAILS



TYPICAL OVERVIEW



TYPICAL JOINT DETAIL



Customer Service
Phone: 800-969-0108
Fax: 610-916-9501

DATE: 12/13/10

DRN BY: JJC

CKD BY: SAK

SHT.# ___ OF ___

DWG# 28510-3451

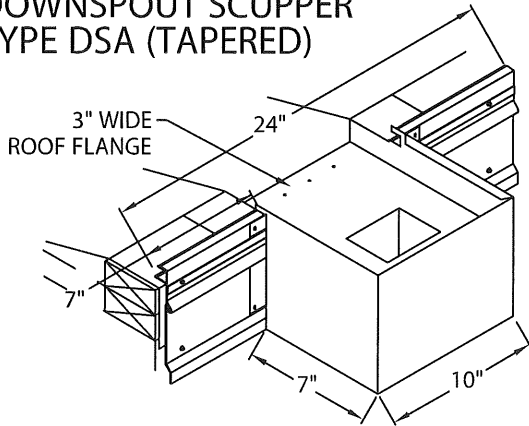
C

FLEXLOCK FLE EXTENDED ROOF EDGE SCUPPERS

FULLY ADHERED OR MECHANICALLY ATTACHED SINGLE-PLY VERSION

SCUPPERS - FACTORY WELDED CONSTRUCTION

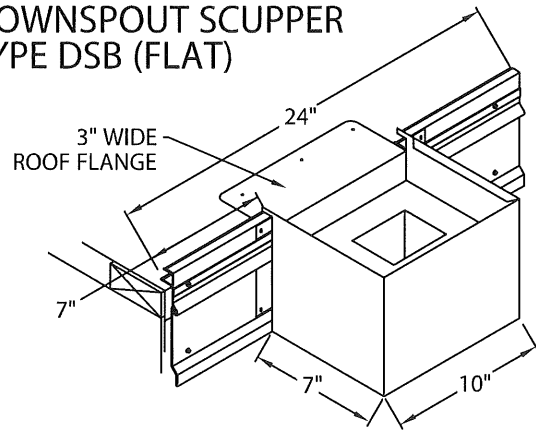
**DOWNSPOUT SCUPPER
TYPE DSA (TAPERED)**



FOR USE WITH TAPERED EDGE STRIP.
FLANGE LOWERED 1-1/2\".

NOTE : SPECIFY TUBE SIZE

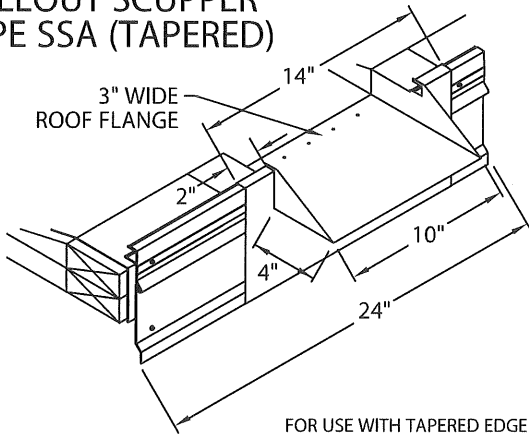
**DOWNSPOUT SCUPPER
TYPE DSB (FLAT)**



FOR USE WITHOUT TAPERED EDGE STRIP.
FLANGE FLUSH MOUNTED WITH ROOF.

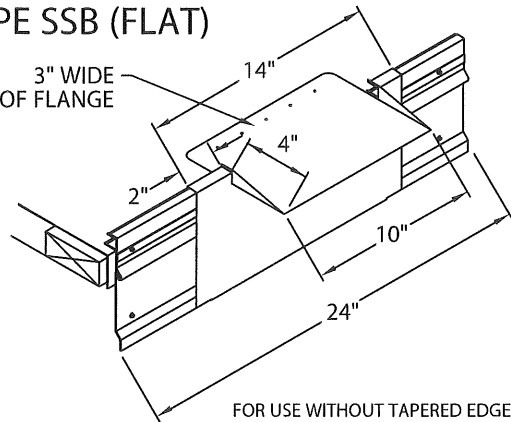
NOTE : SPECIFY TUBE SIZE

**SPILLOUT SCUPPER
TYPE SSA (TAPERED)**



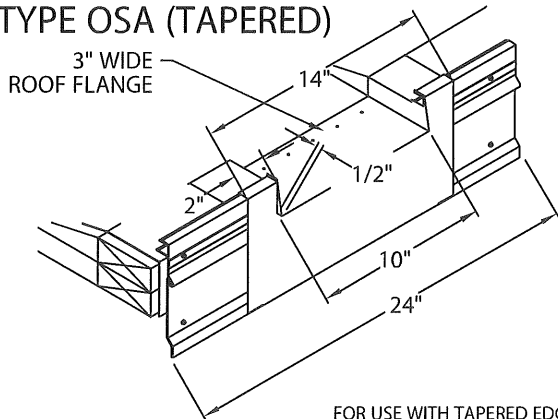
FOR USE WITH TAPERED EDGE STRIP.
FLANGE LOWERED 1-1/2\".

**SPILLOUT SCUPPER
TYPE SSB (FLAT)**



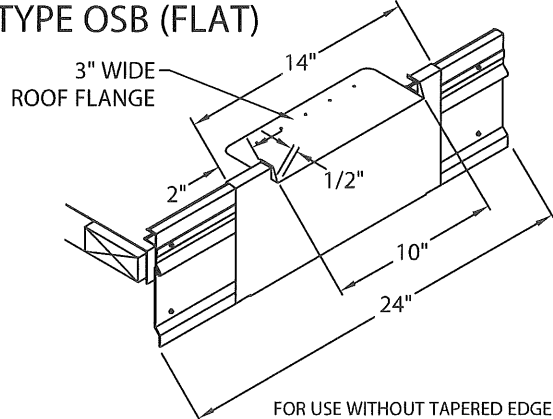
FOR USE WITHOUT TAPERED EDGE STRIP.
FLANGE FLUSH MOUNTED WITH ROOF.

**OVERFLOW SCUPPER
TYPE OSA (TAPERED)**



FOR USE WITH TAPERED EDGE STRIP.
FLANGE LOWERED 1-1/2\".

**OVERFLOW SCUPPER
TYPE OSB (FLAT)**



FOR USE WITHOUT TAPERED EDGE STRIP.
FLANGE FLUSH MOUNTED WITH ROOF.

Flex™

Customer Service
Phone: 800-969-0108
Fax: 610-916-9501

DATE: 12/13/10

DRN BY: JJC

CKD BY: SAK

SHT.# ___ OF ___

DWG# 28510-11339

B

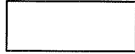
FLEXLOCK FLE EXTENDED RADIUS ROOF EDGE

FULLY ADHERED OR MECHANICALLY ATTACHED SINGLE-PLY VERSION

IMPORTANT!!! MUST INDICATE PROPER RADIUS CONDITION BY CIRCLING APPROPRIATE OUTSIDE FACE

PROVIDING A RADIUS
THE RADIUS MAY BE PROVIDED
IN ONE OF TWO METHODS:

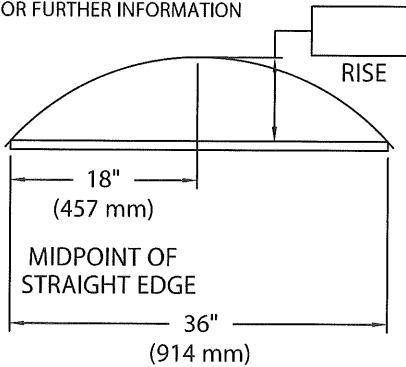
1.) THE ACTUAL KNOWN RADIUS IS



OR

2.) FIELD CONDITION MEASUREMENTS

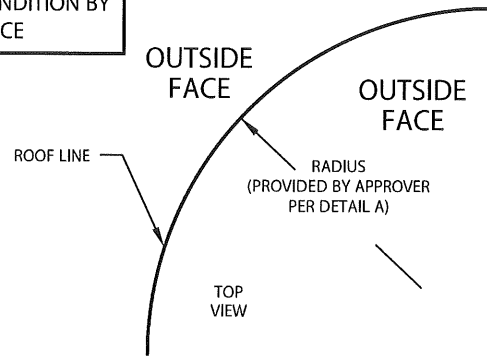
NOTE: REFER TO ATTACHED WORKSHEET
FOR FURTHER INFORMATION



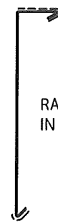
LENGTH OF
STRAIGHT EDGE

NOTE: CHECK MEASUREMENTS ALONG ENTIRE RADIUS.

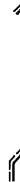
DETAIL A



--- INDICATES AREAS THAT WILL BE SLIT AS
NEEDED TO ACCOMODATE RADIUS



RADIUS FASCIA PROVIDED
IN 12'-0" (3.65 m) LENGTHS



CLEAT PROVIDED IN
12'-0" (3.65 m) LENGTHS

FLEXLOCK FLE EXTENDED RADIUS ROOF RDGE DIMENSIONS

PRODUCT ID. NO.	H DIM.	X DIM.
<input type="checkbox"/> AEF-85	8 1/2" (216 mm)	7 1/4" (184 mm)
<input type="checkbox"/> AEF-100	10" (251 mm)	8 3/4" (222 mm)
<input type="checkbox"/> AEF-115	11 1/2" (292 mm)	10 1/4" (260 mm)
<input type="checkbox"/> AEF-130	13" (330 mm)	11 3/4" (298 mm)

Fabrication will proceed only after receipt of
signed print approval.

Print Approval:

Architect and/or contractor shall verify all
dimensions, sizes and quantities. All
products to be installed in strict accordance
with Flex's printed instructions.

Approved by: _____

Date: _____

MATERIAL:

___ .050" (1.27 mm) Aluminum
___ .063" (1.60 mm) Aluminum
___ OTHER _____

Color: _____

Finish: _____

QUANTITIES:

_____ Lineal Feet 12'-0" (3.65 m) Lengths

PROJECT:

ARCHITECT:

ROOFING CONTRACTOR:

REPRESENTATIVE/DISTRIBUTOR:

Customer Service:

Phone: 800-969-0108

Fax: 610-916-9501

Flex™

DATE: 12/13/10

SHT.# ___ OF ___

DRN BY: JJC

CKD BY: SAK

DWG# 28010-3450

C