

# Flexlock FLE Roof Edge



Fully Adhered or Mechanically Attached Single-Ply and Built-Up or Modified Version

---

<b>Warranty:</b>	The entire roof system is covered under one warranty and inspected after the project is complete to assure proper installation. The system is inspected after the project is complete to assure proper installation. This ensures protection for the most vulnerable area of the roof against failure due to extreme wind up lift pressures.
<b>Testing:</b>	<ul style="list-style-type: none"><li>• Tested per ANSI/SPRI ES-1 Standard to a design pressure of 290 lbs./ft<sup>2</sup> to comply with the International Building Code.</li><li>• Factory Mutual 1-645 approved for wind up lift protection.</li><li>• Miami-Dade Approved (No. 08-0604.02 12/11/13) to comply with the "High Velocity Hurricane Zone of the Florida Building Code".</li></ul>
<b>Standard Sizes:</b>	Sizes range from 4" up to 8 ½" face heights to accommodate multiple nailers and coverage requirements. <ul style="list-style-type: none"><li>• 4"</li><li>• 5 ½"</li><li>• 7"</li><li>• 8 ½"</li></ul>
<b>Anchor Bar Protection:</b>	The patented, extruded aluminum anchor bar securely terminates the membrane. This provides protection unlike any other manufactured or shop-fabricated edge. The anchor bar is readily available to dry-in the roof structure.
<b>Available Materials:</b>	Covers can be manufactured in 24 ga. steel and .040" aluminum.
<b>Watertight:</b>	Its non-penetrating design eliminates the need for stripping-in or heat welding that is typical of many other roof edge designs. Watertight integrity is not compromised by improper flashing procedures, failed adhesives or lap sealants.
<b>Competitively Priced:</b>	The installed cost rivals even light gauge roof edge systems fabricated locally or in a roofer's shop.
<b>Efficient Design:</b>	The product is provided in 12'-0" lengths with pre-punched holes for quicker installation and lower labor costs. The fastening holes are slotted to allow for proper thermal movement of the materials and ensure correct fastener placement and spacing.
<b>Colors:</b>	Choose among a wide range of standard colors and finishes that meet your job requirements. A 20 year Kynar 500® finish warranty is included on standard colors. Custom post-coated Kynar 500 colors are available with an included 10 year Kynar 500 finish warranty or a 20 year Kynar 500 finish warranty is available upon request. Anodized finishes are also available, but are not warranted.
<b>Custom Capabilities:</b>	Radius and specially fabricated products are available to meet the unique needs of each project.
<b>Accessories:</b>	Factory fabricated miters, scuppers and drainage accessories provide a cleaner, more aesthetically pleasing appearance. This eliminates the need for field fabrication, providing time and labor savings.
<b>Also Included:</b>	All anchor bar EPDM splice plates and fasteners are included and will arrive to the job site with the product (sealant by others).
<b>Reusable/Recyclable Material:</b>	When reroofing the anchor bar can be removed, cleaned and reinstalled at any time without compromising its strength and appearance.

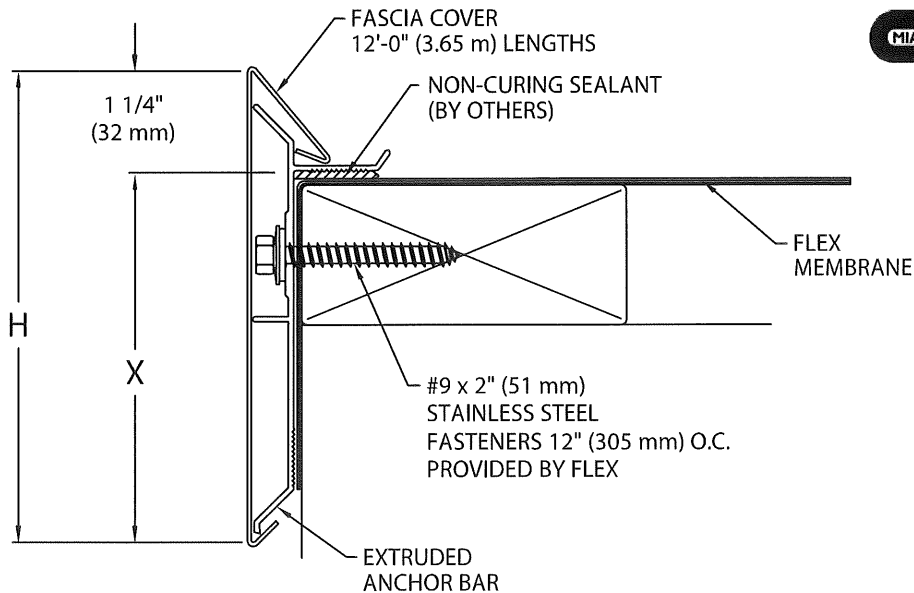
---



# FLEXLOCK FLE ROOF EDGE

FULLY ADHERED OR MECHANICALLY ATTACHED SINGLE-PLY VERSION

ANSI/SPRI ES-1 DESIGN PRESSURE OF 290 psf



Fascia is to be installed per Specifications and Flex's Installation Instructions Dwg. # 28110-3440

## FLEXLOCK FLE ROOF EDGE DIMENSIONS

NOA NO. 08-0604.02  
 MIAMI-DADE COUNTY, FLORIDA  
 12/11/13

PRODUCT ID. NO.	H DIM	X DIM	NAILER COVERAGE
<input type="checkbox"/> AF-40	4" (102 mm)	2 3/4" (70 mm)	1 NAILER
<input type="checkbox"/> AF-55	5 1/2" (140 mm)	4 1/4" (108 mm)	2 NAILERS
<input type="checkbox"/> AF-70	7" (178 mm)	5 3/4" (146 mm)	3 NAILERS
<input type="checkbox"/> AF-85	8 1/2" (216 mm)	7 1/4" (184 mm)	4 NAILERS

## MATERIAL:

\_\_\_ 24 Ga. (.65 mm) Galv. Steel  
 \_\_\_ .040" (1.01 mm) Aluminum  
 \_\_\_ OTHER \_\_\_\_\_  
 Color: \_\_\_\_\_  
 Finish: \_\_\_\_\_

Fabrication will proceed only after receipt of signed print approval.

## Print Approval:

Architect and/or contractor shall verify all dimensions, sizes and quantities. All products to be installed in strict accordance with Flex's printed instructions.

Approved by: \_\_\_\_\_  
 Date: \_\_\_\_\_

## QUANTITIES:

\_\_\_\_\_ Lineal Feet (12'-0" (3.65 m) Lengths)  
 \_\_\_\_\_ Outside Miters @ (\_\_\_\_\_)°  
 \_\_\_\_\_ Inside Miters @ (\_\_\_\_\_)°  
 \_\_\_\_\_ Overflow Scupper Style \_\_\_A\_\_\_B  
 \_\_\_\_\_ Spillout Scupper Style \_\_\_A\_\_\_B  
 \_\_\_\_\_ Downspout Scupper Style \_\_\_A\_\_\_B  
 (\_\_\_\_X\_\_\_\_) Size A: Tapered 1 1/2" (38 mm) Drop  
 B: Flat

PROJECT: \_\_\_\_\_  
 ARCHITECT: \_\_\_\_\_  
 ROOFING CONTRACTOR: \_\_\_\_\_  
 REPRESENTATIVE/DISTRIBUTOR: \_\_\_\_\_

Customer Service:  
 Phone: 800-969-0108  
 Fax: 610-916-9501



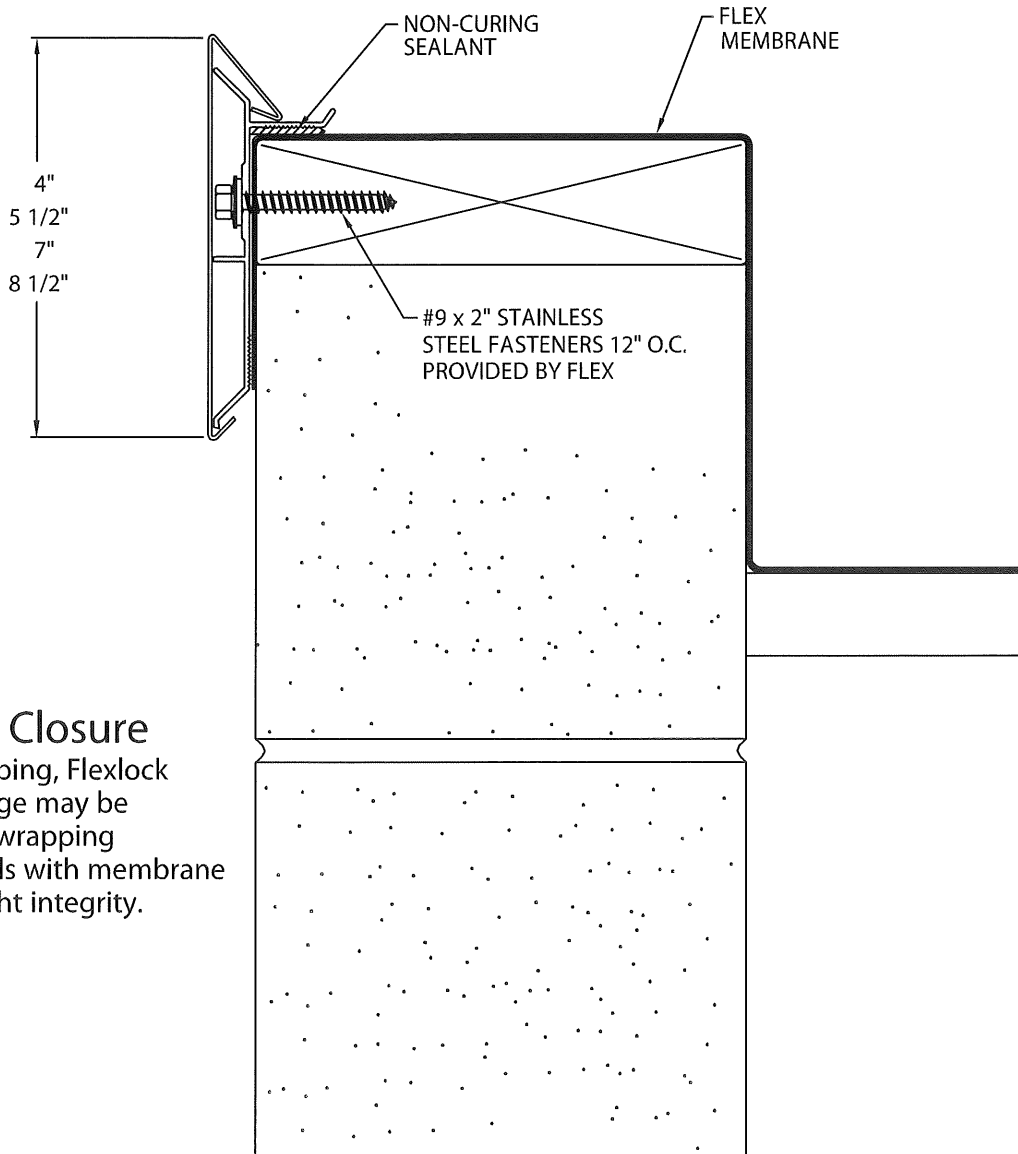
DATE: 12/03/10 SHT.# \_\_\_ OF \_\_\_  
 DRN BY: JJC  
 CKD BY: SAK DWG# 28010-3166 D



# FLEXLOCK FLE ROOF EDGE

FULLY ADHERED OR MECHANICALLY ATTACHED SINGLE-PLY VERSION

ALTERNATE PARAPET DETAIL



## Parapet Closure

In lieu of coping, Flexlock FLE Roof Edge may be used when wrapping parapet walls with membrane for watertight integrity.

PROJECT:	Customer Service: Phone: 800-969-0108 Fax: 610-916-9501
ARCHITECT:	
ROOFING CONTRACTOR:	
REPRESENTATIVE/DISTRIBUTOR:	



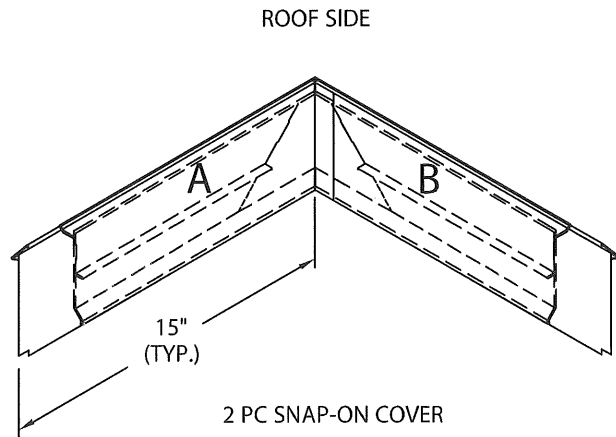
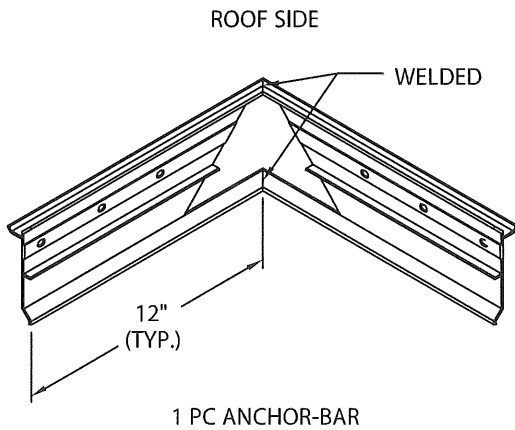
DATE: 12/03/10	SHT.# ___ OF ___
DRN BY: JJC	DWG# 28510-3377
CKD BY: SAK	

# FLEXLOCK FLE ROOF EDGE

FULLY ADHERED OR MECHANICALLY ATTACHED SINGLE-PLY VERSION

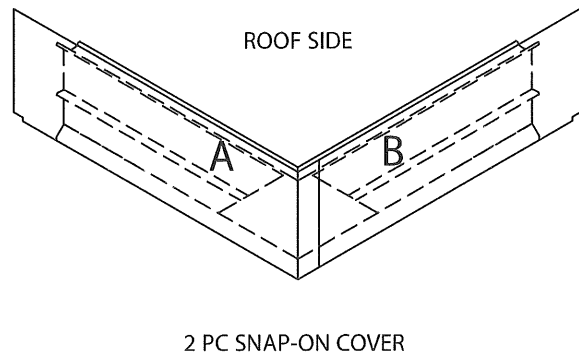
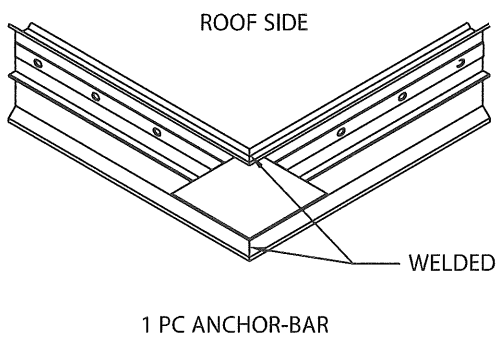
MITERS - FACTORY WELDED CONSTRUCTION

## INSIDE MITER



FASTENERS INCLUDED

## OUTSIDE MITER



NOTE: TREATED WOOD NAILERS REQUIRED.

PROJECT:  
 ARCHITECT:  
 ROOFING CONTRACTOR:  
 REPRESENTATIVE/DISTRIBUTOR:

Customer Service:  
 Phone: 800-969-0108  
 Fax: 610-916-9501



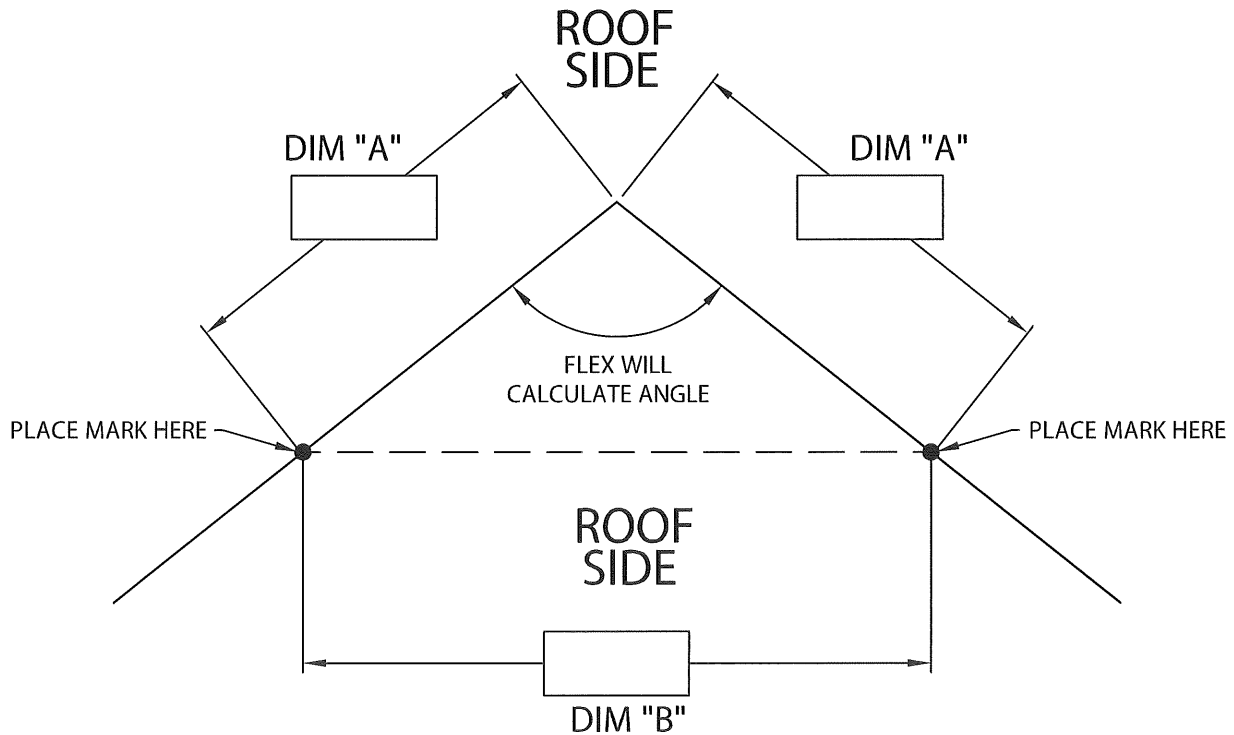
DATE: 12/03/10  
 DRN BY: JJC  
 CKD BY: SAK

SHT.# \_\_\_ OF \_\_\_  
 DWG# 28510-3432

C

# NON 90° ANGLE FOR FASCIA

MEASUREMENT WORKSHEET FOR USE WITHOUT A PROTRACTOR



1. CIRCLE APPROPRIATE "ROOF SIDE" TO INDICATE OUTSIDE MITER OR INSIDE MITER. THIS DETAIL APPLIES FOR MITERS TIGHTER THEN 90° (ACUTE) OR WIDER THEN 90° (OBTUSE).
2. STARTING AT EITHER SIDE OF THE CORNER, MEASURE ALONG THE WALL EDGE A CONVENIENT DIMENSION, SUCH AS 24" OR 36", DEPENDING ON JOB SITE CONDITIONS. PLACE A MARK ON THE WALL AND RECORD MEASURED DIMENSION AS "DIM A" IN THE DRAWING ABOVE, REPEAT PROCEDURE FOR THE OPPOSITE WALL, AS SHOWN ABOVE.
3. MEASURE STRAIGHT ACROSS FROM MARK TO MARK, AS SHOWN, AND RECORD THE MEASURED DIMENSION AS "DIM B".
4. FAX THIS SHEET TO 610-916-9501 WITH ORDER.

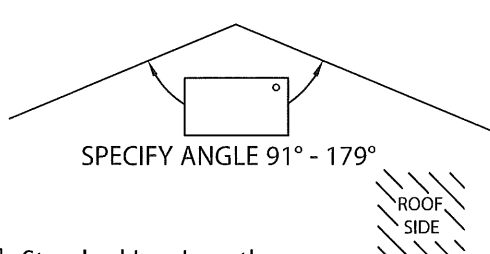
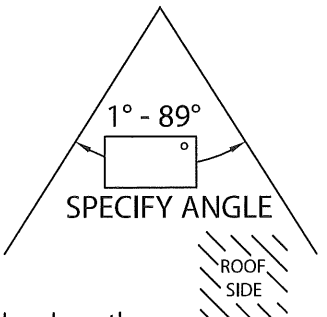
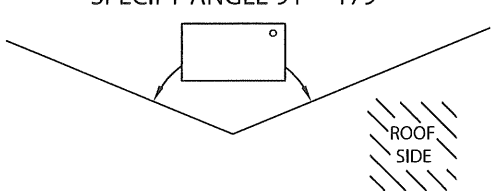
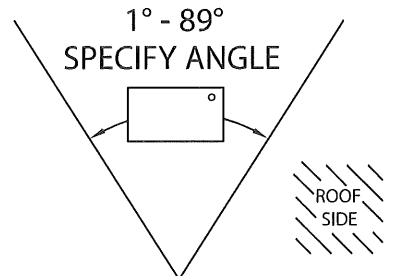

PROJECT:  
 ARCHITECT:  
 ROOFING CONTRACTOR:  
 REPRESENTATIVE/DISTRIBUTOR:

**Customer Service:**  
 Phone: 800-969-0108  
 Fax: 610-916-9501



DATE: 12/03/10	SHT.# ___ OF ___
DRN BY: JJC	C
CKD BY: SAK	

# NON 90° FASCIA MITERS

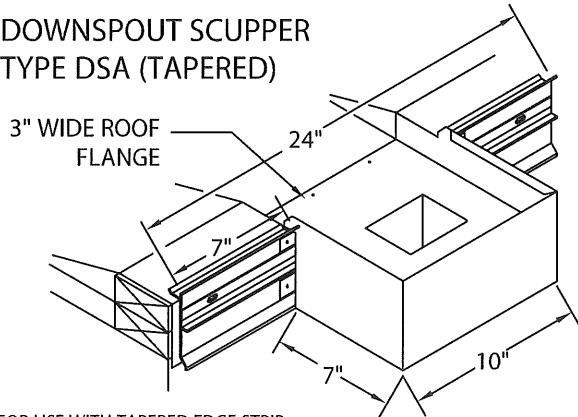
<p style="text-align: center;"><b>OUTSIDE MITER - OBTUSE</b></p>  <p style="text-align: center;">SPECIFY ANGLE 91° - 179°</p> <p> <input type="checkbox"/> Standard Leg Lengths  <input type="checkbox"/> Custom Leg Lengths _____ Qty _____         </p>	<p style="text-align: center;"><b>OUTSIDE MITER - ACUTE</b></p>  <p style="text-align: center;">1° - 89° SPECIFY ANGLE</p> <p> <input type="checkbox"/> Standard Leg Lengths  <input type="checkbox"/> Custom Leg Lengths _____ Qty _____         </p>						
<p style="text-align: center;"><b>INSIDE MITER - OBTUSE</b></p>  <p style="text-align: center;">SPECIFY ANGLE 91° - 179°</p> <p> <input type="checkbox"/> Standard Leg Lengths  <input type="checkbox"/> Custom Leg Lengths _____ Qty _____         </p>	<p style="text-align: center;"><b>INSIDE MITER - ACUTE</b></p>  <p style="text-align: center;">1° - 89° SPECIFY ANGLE</p> <p> <input type="checkbox"/> Standard Leg Lengths  <input type="checkbox"/> Custom Leg Lengths _____ Qty _____         </p>						
<p>Fabrication will proceed only after receipt of signed print approval.</p> <p><b>Print Approval:</b> Architect and/or contractor shall verify all dimensions, sizes and quantities. All products to be installed in strict accordance with Flex's printed instructions.</p> <p>Approved by: _____</p> <p>Date: _____</p>							
<p><b>MATERIAL:</b></p> <p>             ___ 24 Ga. (.65 mm) Galv.                      Color: _____              ___ .040" (1.01 mm) Alum.                      Finish: _____              ___ .050" (1.27 mm) Alum.              ___ .063" (1.60 mm) Alum.              ___ OTHER _____         </p> <p><b>Please Indicate Fascia System:</b></p> <p> <input type="checkbox"/> Flexlock FLE Roof Edge - Single-Ply  <input type="checkbox"/> Flexlock FLE Roof Edge - BUR/Mod  <input type="checkbox"/> Flexlock FLE Extended Roof Edge - Single-Ply  <input type="checkbox"/> Flexlock FLE Extended Roof Edge - BUR/Mod  <input type="checkbox"/> Flexlock FLS Roof Edge - Single-Ply  <input type="checkbox"/> Flexlock FLS Roof Edge - BUR/Mod  <input type="checkbox"/> Flexlock FLT Roof Edge - Single-Ply  <input type="checkbox"/> Flexlock FLT Roof Edge - BUR/Mod         </p>							
<p>PROJECT: _____</p> <p>ARCHITECT: _____</p> <p>ROOFING CONTRACTOR: _____</p> <p>REPRESENTATIVE/DISTRIBUTOR: _____</p>	<p><b>Customer Service:</b>                  Phone: 800-969-0108                  Fax: 610-916-9501</p>						
	<table border="1" style="width: 100%; border-collapse: collapse;"> <tr> <td style="width: 50%;">DATE: 12/03/10</td> <td style="width: 50%;">SHT.# ___ OF ___</td> </tr> <tr> <td>DRN BY: JJC</td> <td></td> </tr> <tr> <td>CKD BY: SAK</td> <td>DWG# 28010-3436</td> </tr> </table>	DATE: 12/03/10	SHT.# ___ OF ___	DRN BY: JJC		CKD BY: SAK	DWG# 28010-3436
DATE: 12/03/10	SHT.# ___ OF ___						
DRN BY: JJC							
CKD BY: SAK	DWG# 28010-3436						

# FLEXLOCK FLE ROOF EDGE SCUPPERS

FULLY ADHERED OR MECHANICALLY ATTACHED SINGLE-PLY VERSION

SCUPPERS - FACTORY WELDED CONSTRUCTION

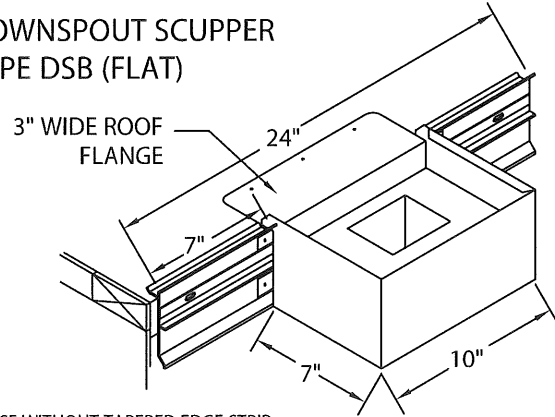
**DOWNSPOUT SCUPPER  
TYPE DSA (TAPERED)**



FOR USE WITH TAPERED EDGE STRIP.  
FLANGE LOWERED 1 1/2\".

NOTE : SPECIFY TUBE SIZE

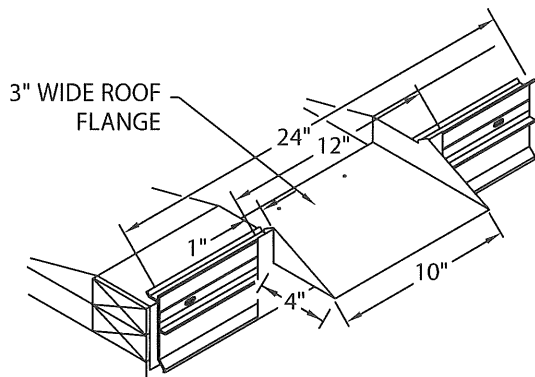
**DOWNSPOUT SCUPPER  
TYPE DSB (FLAT)**



FOR USE WITHOUT TAPERED EDGE STRIP.  
FLANGE FLUSH MOUNTED WITH ROOF.

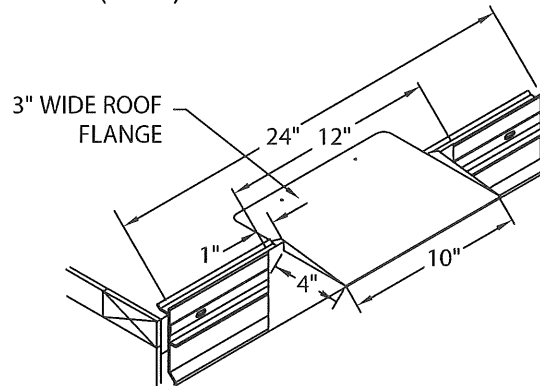
NOTE : SPECIFY TUBE SIZE

**SPILLOUT SCUPPER  
TYPE SSA (TAPERED)**



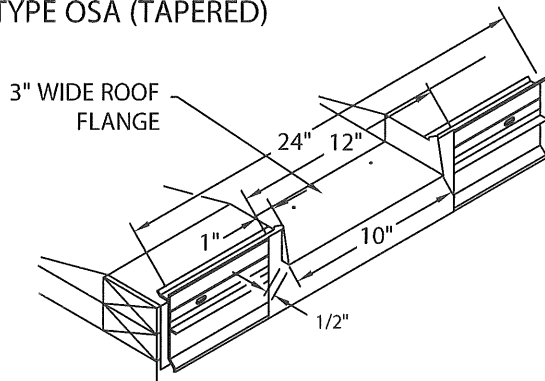
FOR USE WITH TAPERED EDGE STRIP.  
FLANGE LOWERED 1 1/2\".

**SPILLOUT SCUPPER  
TYPE SSB (FLAT)**



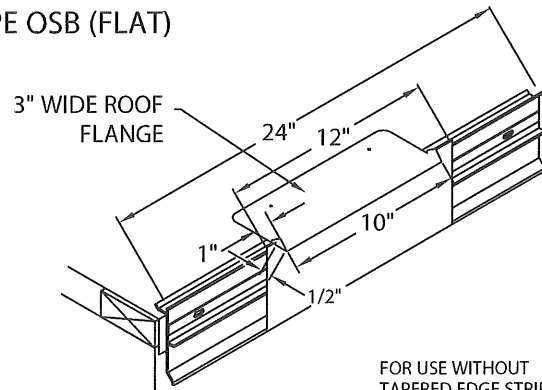
FOR USE WITHOUT TAPERED EDGE STRIP.  
FLANGE FLUSH MOUNTED WITH ROOF.

**OVERFLOW SCUPPER  
TYPE OSA (TAPERED)**



FOR USE WITH TAPERED EDGE STRIP.  
FLANGE LOWERED 1 1/2\".

**OVERFLOW SCUPPER  
TYPE OSB (FLAT)**



FOR USE WITHOUT  
TAPERED EDGE STRIP.  
FLANGE FLUSH  
MOUNTED WITH ROOF.

**Flex**™

Customer Service  
Phone: 800-969-0108  
Fax: 610-916-9501

DATE: 12/03/10

DRN BY: JJC

CKD BY: SAK

SHT.# \_\_\_ OF \_\_\_

DWG# 28510-3437

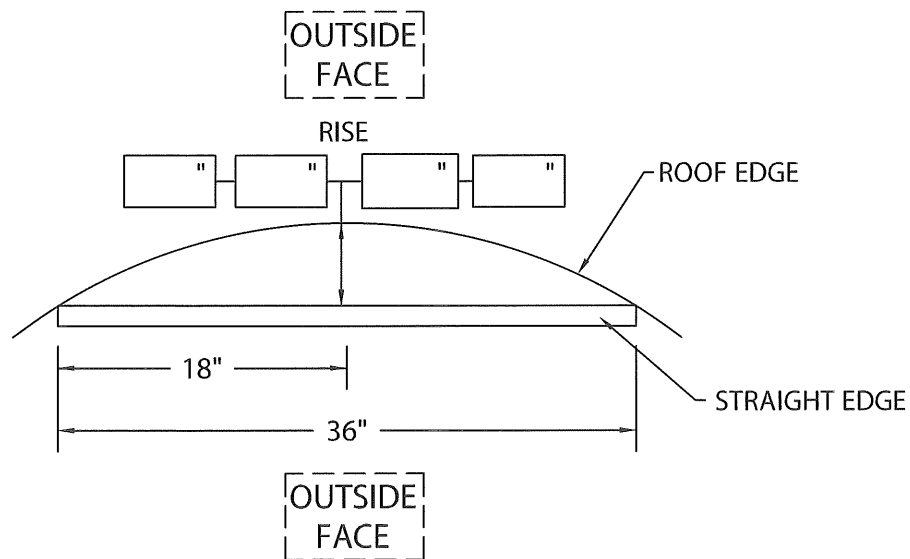
C

# RADIUS FASCIA MEASUREMENT INSTRUCTIONS

1. Using the 36" straight edge provided, set it against the wall (as illustrated).
2. Using the 12" rule provided, measure the distance (rise) from the edge of the yardstick at the 18" mark straight in to the face of the parapet.
3. Repeat steps 1 and 2 in several more areas along the arch. Record these measurements in the boxes provided. We will calculate the radius from these measurements.


**NOTE!** If the measured rise dimensions vary by  $\frac{1}{2}$ " or over, call Engineering Dept. at 800-558-2162 for further instructions

4. Fill in the general information below and fax this sheet back to 610-916-9501.



## PLAN VIEW

**NOTE!** INDICATE PROPER RADIUS CONDITION BY CIRCLING APPROPRIATE OUTSIDE FACE.

PROJECT:	Customer Service:		
ARCHITECT:	Phone: 800-969-0108		
ROOFING CONTRACTOR:	Fax: 610-916-9501		
REPRESENTATIVE/DISTRIBUTOR:	DATE: 12/03/10	SHT.# ___ OF ___	
	DRN BY: JJC		
	CKD BY: SAK	DWG# 28510-3438	C



# FLEXLOCK FLE RADIUS ROOF EDGE

FULLY ADHERED OR MECHANICALLY ATTACHED SINGLE-PLY VERSION

**IMPORTANT!!!** MUST INDICATE PROPER RADIUS CONDITION BY CIRCLING APPROPRIATE OUTSIDE FACE

PROVIDING A RADIUS  
THE RADIUS MAY BE PROVIDED  
IN ONE OF TWO METHODS:

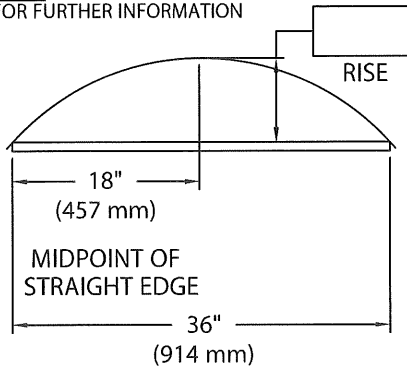
1.) THE ACTUAL KNOWN RADIUS IS



OR

2.) FIELD CONDITION MEASUREMENTS

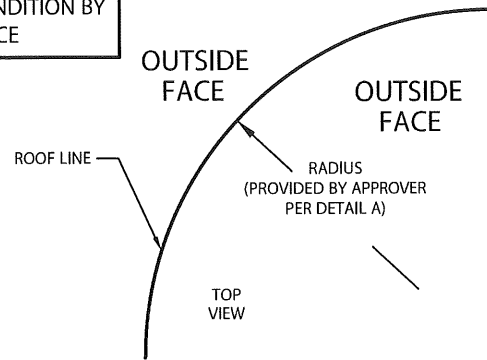
NOTE: REFER TO ATTACHED WORKSHEET  
FOR FURTHER INFORMATION



LENGTH OF  
STRAIGHT EDGE

NOTE: CHECK MEASUREMENTS ALONG ENTIRE RADIUS.

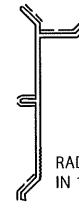
DETAIL A



--- INDICATES AREAS THAT WILL BE SLIT AS  
NEEDED TO ACCOMODATE RADIUS



RADIUS FASCIA PROVIDED  
IN 12'-0" (3.65 m) LENGTHS



RADIUS EXTRUDED BAR PROVIDED  
IN 12'-0" (3.65 m) LENGTHS

### FLEXLOCK FLE RADIUS ROOF EDGE DIMENSIONS

PRODUCT ID. NO.	H DIM.	X DIM.	COVERAGE
<input type="checkbox"/> AF-40	4" (102 mm)	2 3/4" (60 mm)	1 NAILER
<input type="checkbox"/> AF-55	5 1/2" (140 mm)	4 1/4" (108 mm)	2 NAILERS
<input type="checkbox"/> AF-70	7" (178 mm)	5 3/4" (146 mm)	3 NAILERS
<input type="checkbox"/> AF-85	8 1/2" (216 mm)	7 1/4" (184 mm)	4 NAILERS

Fabrication will proceed only after receipt of signed print approval.

## Print Approval:

Architect and/or contractor shall verify all dimensions, sizes and quantities. All products to be installed in strict accordance with Flex's printed instructions.

Approved by: \_\_\_\_\_

Date: \_\_\_\_\_

### MATERIAL:

\_\_\_ 24 Ga. (.65 mm) Galv. Steel

\_\_\_ .040" (1.01 mm) Aluminum

\_\_\_ OTHER \_\_\_\_\_

Color: \_\_\_\_\_

Finish: \_\_\_\_\_

### QUANTITIES:

\_\_\_\_\_ Lineal Feet (12'-0" (3.65 m) Lengths)

PROJECT: \_\_\_\_\_

ARCHITECT: \_\_\_\_\_

ROOFING CONTRACTOR: \_\_\_\_\_

REPRESENTATIVE/DISTRIBUTOR: \_\_\_\_\_

**Customer Service:**

**Phone: 800-969-0108**

**Fax: 610-916-9501**



DATE: 12/06/10

SHT.# \_\_\_ OF \_\_\_

DRN BY: JJC

CKD BY: SAK

DWG# 28010-3439

C